

COVERSHEET

Planned document changes:


Briefly:

2026-06-04. Correct part no POS.13: 610602 (5x10).

Document changes:

Date:	Change:	Rev. after change:
2024-10-02	New document.	-

Readers note:

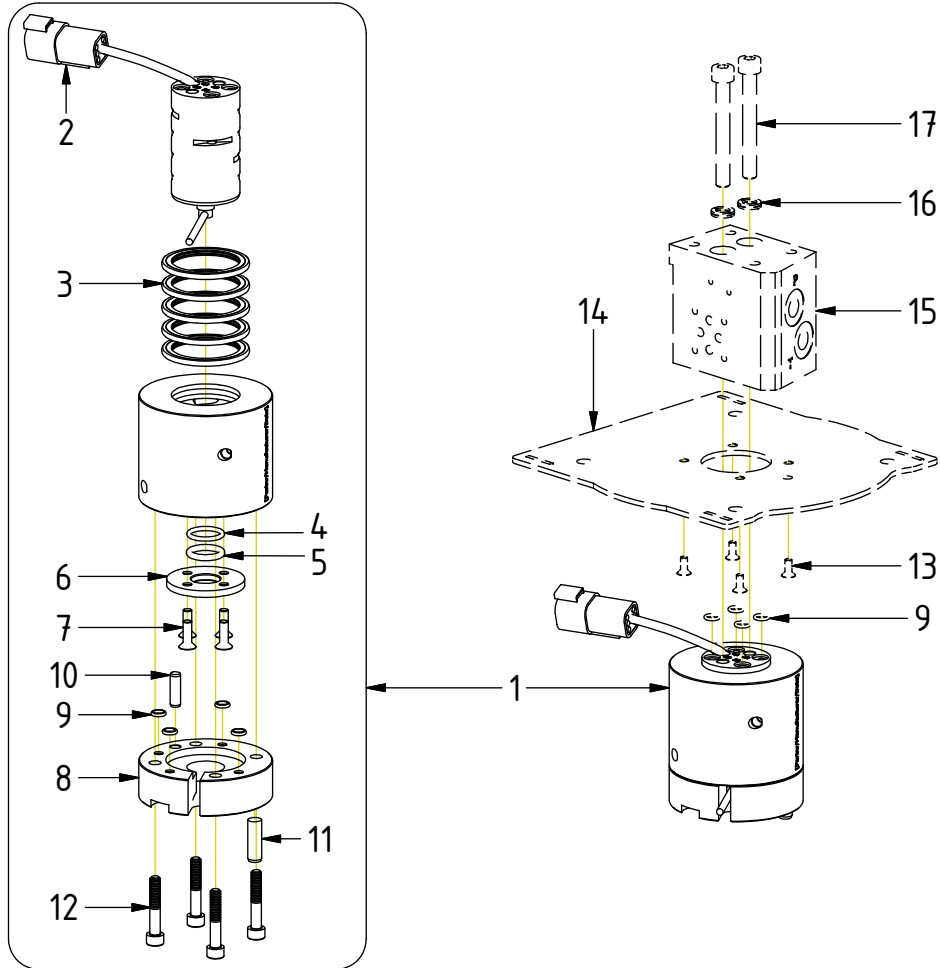
 Indicates instruction.

 Represents Hose.

Dashed lines for overview, mounts
on other pages/assemblies.

Connection block & Swivel EC02B

POS in order of assembly



POS	DESCRIPTION	PART	QTY	COMMENTS
1	Connectionbl. & Swivel Complete	1063530	1	(POS.2-12 incl.)
2	Slip ring EC02B	8001573	1	
3	Seal swivel EC02 40/47,5x3,2	710918	5	
4	O-ring 17x2,5	7001508	1	
5	O-ring15,47x3,53	7001590	1	
6	Stop washer	1064563	1	
7	Screw MF6S 5x16 10,9 FZB	6000371	4	
8	Connection block	N/A	1	
9	O-ring 6,07x1,78	712422	8	QTY: 4 part of rotator frame assy.
10	Cylindrical pin 6x20 m6	6000375	1	
11	Cylindrical pin 8,0 M6x25	650204	1	
12	Socket Head Screw 6x35	610591	4	
13	Screw MF6S M4x10 10.9 untreatead	610605	4	Part of rotator frame assy.
14	Valve plate EC02B	1064866	1	Part of rotator frame assy.
15	Valve block EC02B	1065632	1	Part of rotator frame assy.
16	Washer NL 8mm	611040	2	Part of rotator frame assy.
17	Screw MC6S M8x65 12.9 ZFSHL	6000398	2	Part of rotator frame assy.