

COVERSHEET

Planned document changes:

Briefly:

2026-01-30. POS.24 is not used. Remove from exploded view.

2025-08-13. Add ss10 (SVAB). Agg. cable: 303465. QS cable: 842148.

2024-10-07. Torque for POS.35: 8Nm.

Document changes:

Date:	Change:	Rev. after change:
2023-08-22	Layout/irrelevant.	F
2023-08-10	Part no for valves and o-rings corrected.	E
2023-04-06	Tiltrotator module corrected.	D
2023-03-23	O-rings corrected.	C
2023-01-11	Photos updated.	B
2022-11-16	New document.	A
2022-05-17	Pre-series draft.	-

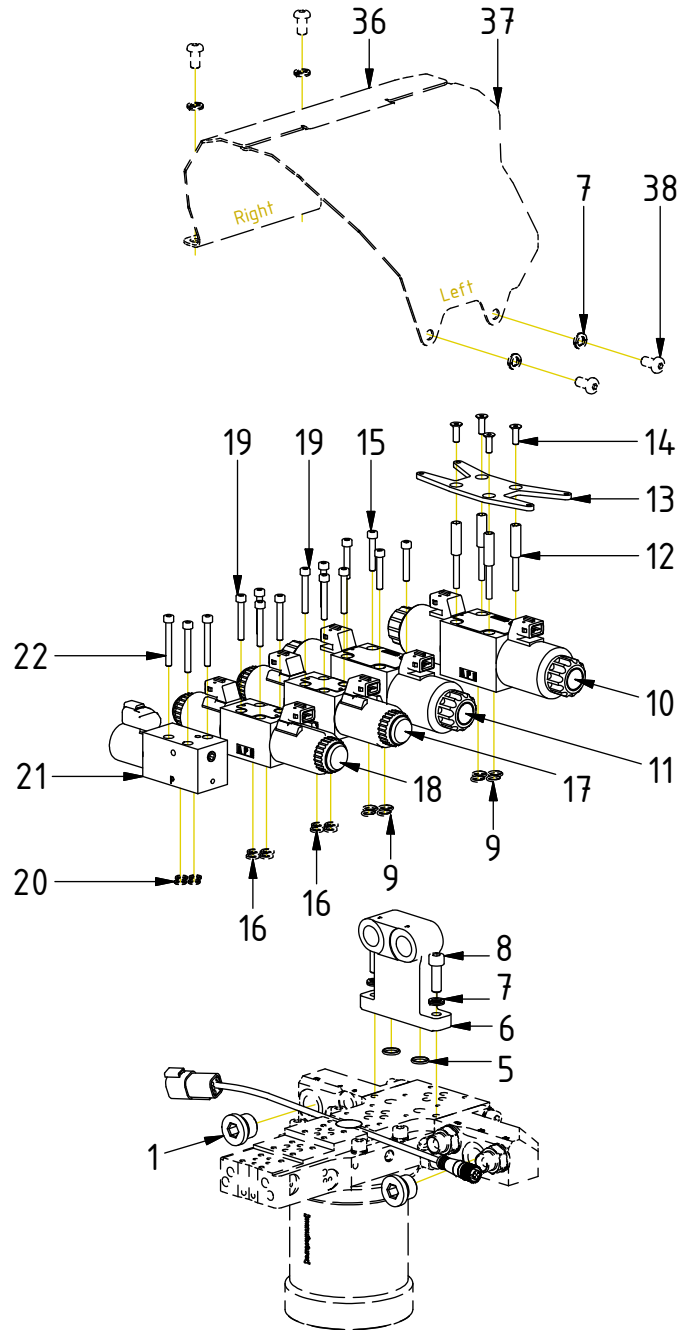
Readers note:

Indicates instruction.



Represents Hose.

Dashed lines for overview, mounts
on other pages/assemblies.

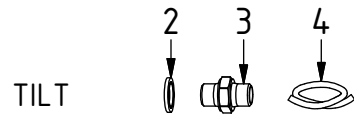
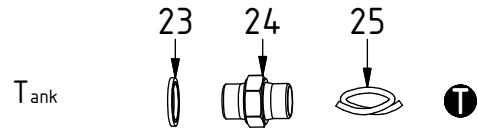
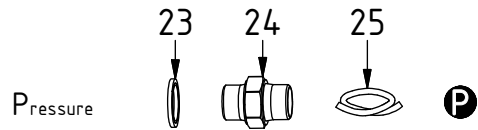


POS	DESCRIPTION	PART	QTY	COMMENTS
1	Plug 70125-08 (1/2")	711500	2	
5	O-ring 12,42x1,78	710973	2	
6	Feed block QSM40	1061758	1	
7	Washer NL 8mm	611040	14	QTY: 4 part of make up
8	Screw MC6S M8x25 12.9 ZFSL	6000143	2	
9	O-ring 9,25x1,78	710901	8	
10	Directional valve prop 12V	730190	1	(POS.9 incl.)
11	Directional valve NG6 12V	730101	1	(POS.9 incl.)
12	Valve spacer	1034402	4	Torque: 9,7Nm
13	Mounting plate tiltrotator module	1068401	1	
14	Screw MF6S M5x16 10.9 FZB	6000371	4	
15	Screw MC6S M5x30 12.9	610403	4	Torque: 9,7Nm
16	O-ring square ring 7,66x1,68	7000579	8	
17	Directional valve NG4 12V	730328	1	(POS.16 incl.)
18	Directional valve NG4 prop 12V	730329	1	(POS.16 incl.)
19	Screw MC6S M5x35 12.9	610404	8	Torque: 9,7Nm
20	O-ring 7,65x1,78	710960	4	
21	Directional valve NG4 IQS 12V DT	1042047	1	(POS.20 incl.)
22	Screw MC6S M5x40 12.9	610405	3	Torque: 9,7Nm
36	Protective cover EC206B right	1060973	1	Part of make up
37	Protective cover EC206B left	1061668	1	Part of make up
38	Screw K6S M8x16 10.9 FZB	611810	4	Part of make up

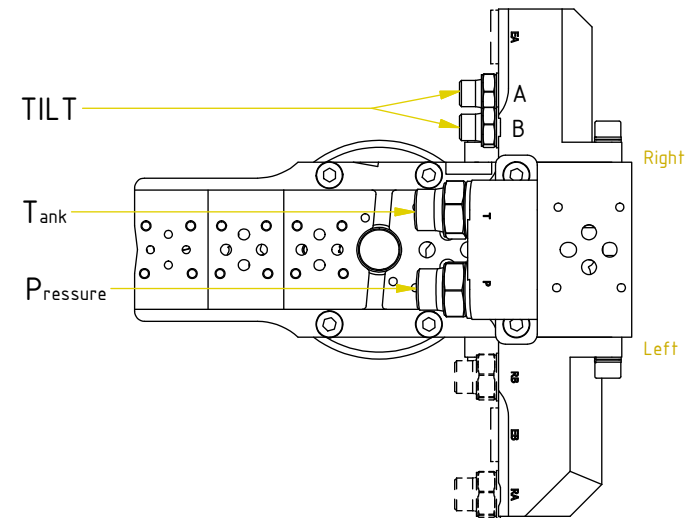
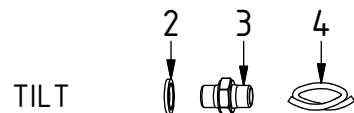
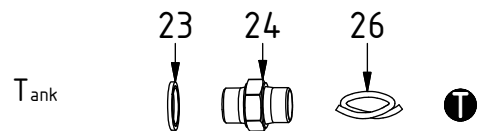
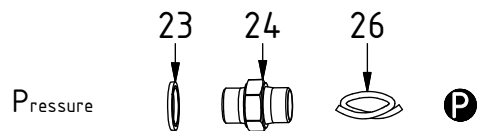
POS in order of assembly

Hoses

POS	DESCRIPTION	PART	QTY	COMMENTS
2	Washer GBR04 1/4	710702	2	
3	Adapter 136-04-04 (1/4")	7000531	2	
4	Hose Tilt	7001694	2	
23	Washer GBR08 1/2	710704	2	
24	Adapter 136-08-08 (1/2")	710108	2	
25	Hose Feed	7001692	2	
26	Hose Feed ECO40	7001689	2	



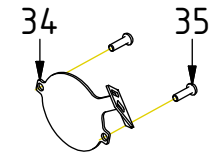
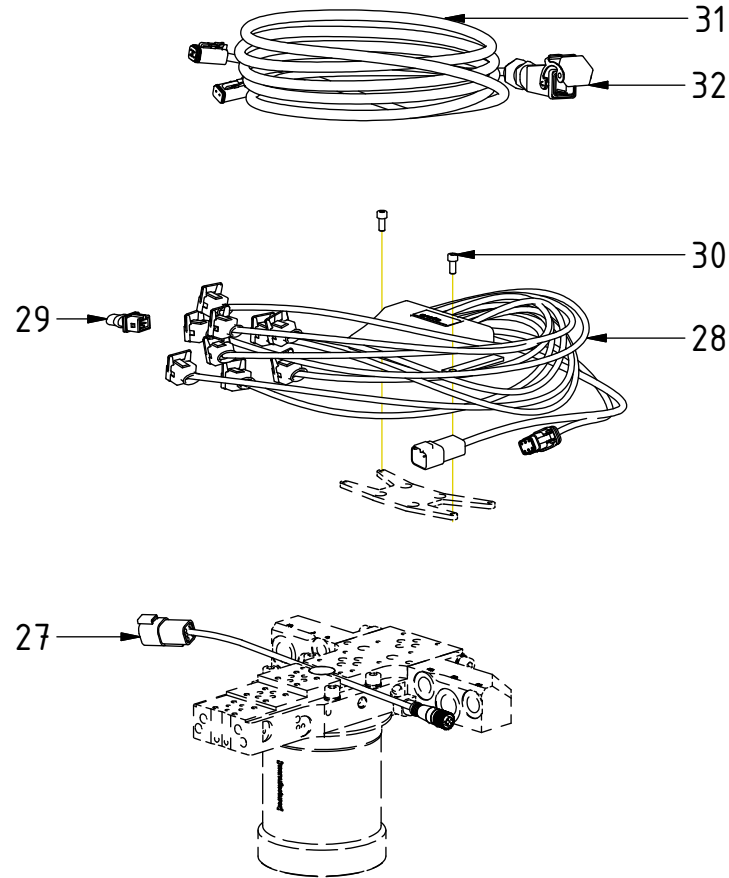
EC-Oil:



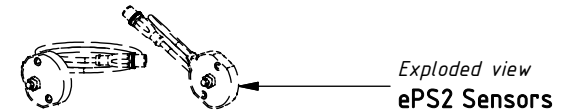
Cables

POS	DESCRIPTION	PART	QTY	COMMENTS
27	Q-Safe connector			
28	Tiltrotator module DC2 Q-Safe	842137	1	
29	JT Jumper QSC connected	1018662	1	Plug JT connector "1"
30	Screw MC6S M5x12 12.9	6000077	2	
31	Aggregate cable DC2 comp. QSC DT	8001201	1	
32	ILME cover 12P contact with jumper	810208	1	(Incl. with agg.cable)
33	Adaptrcable ECO40W DC2 QSC DTM	1057843	1	For ECO40
34	Protection plate End lock EC206B	1062673	1	
35	Screw K6S M6x20 10.9 FZB	6000339	2	Torque: 79Nm

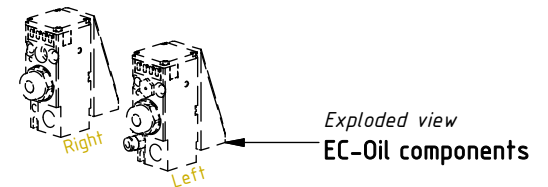
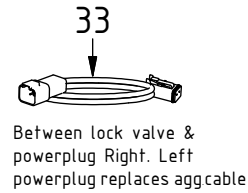
POS in order of assembly



EC206BS:



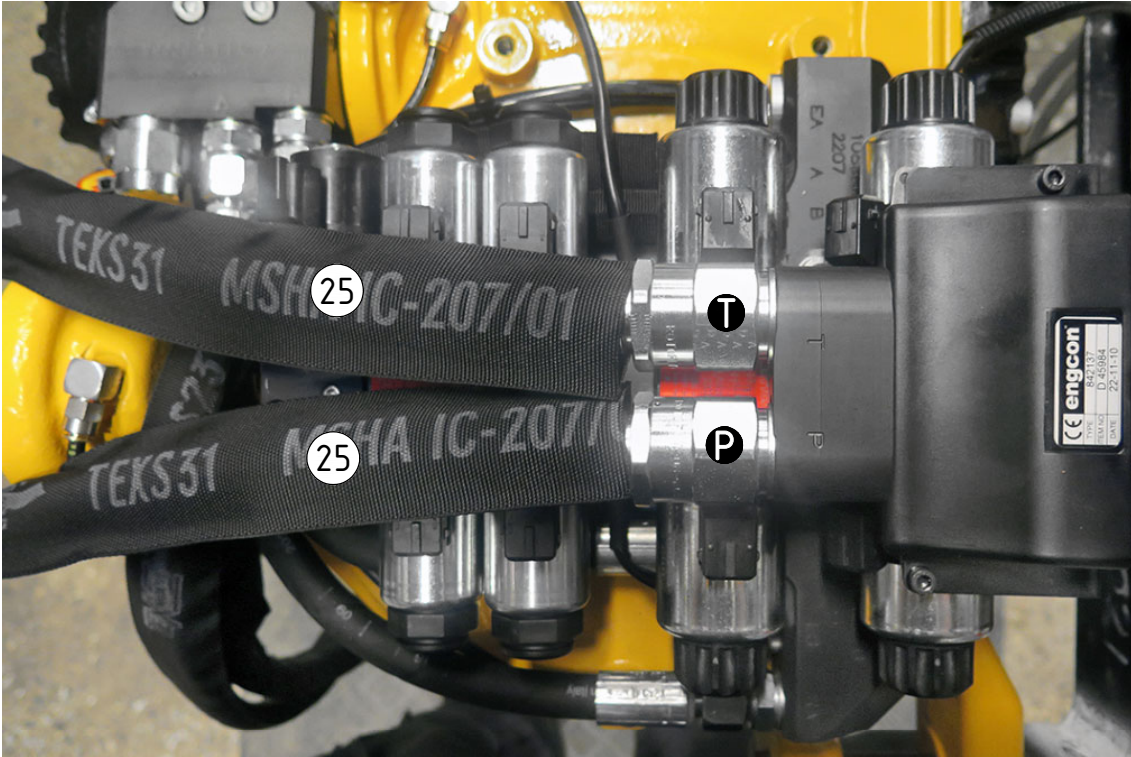
ECO40:



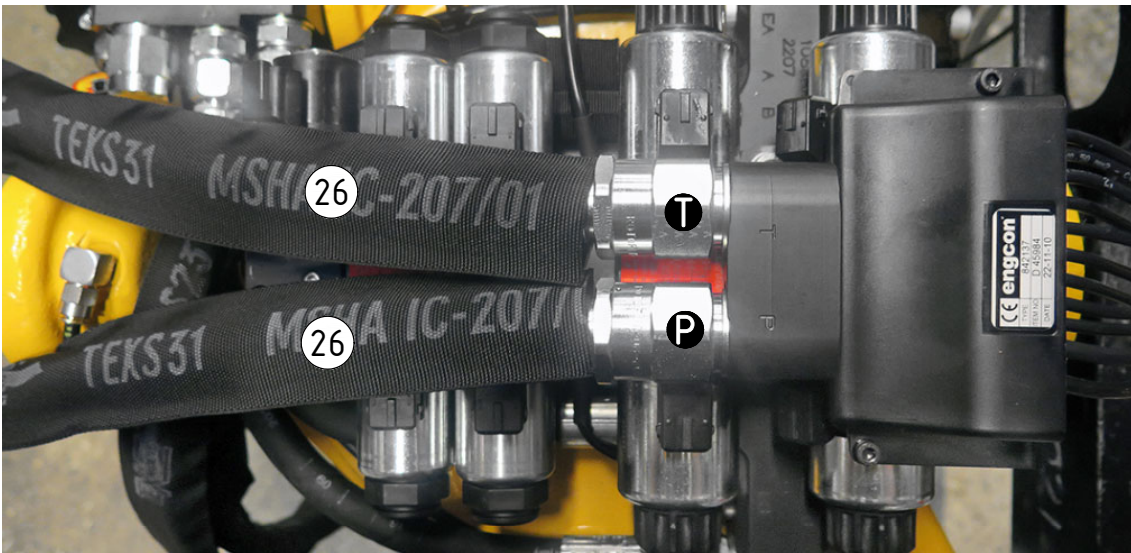
Hoses
Std Feed

POS	DESCRIPTION	PART	QTY	COMMENTS
4	Hose Tilt	7001694	2	
25	Hose Feed	7001692	2	
26	Hose Feed ECO40	7001689	2	

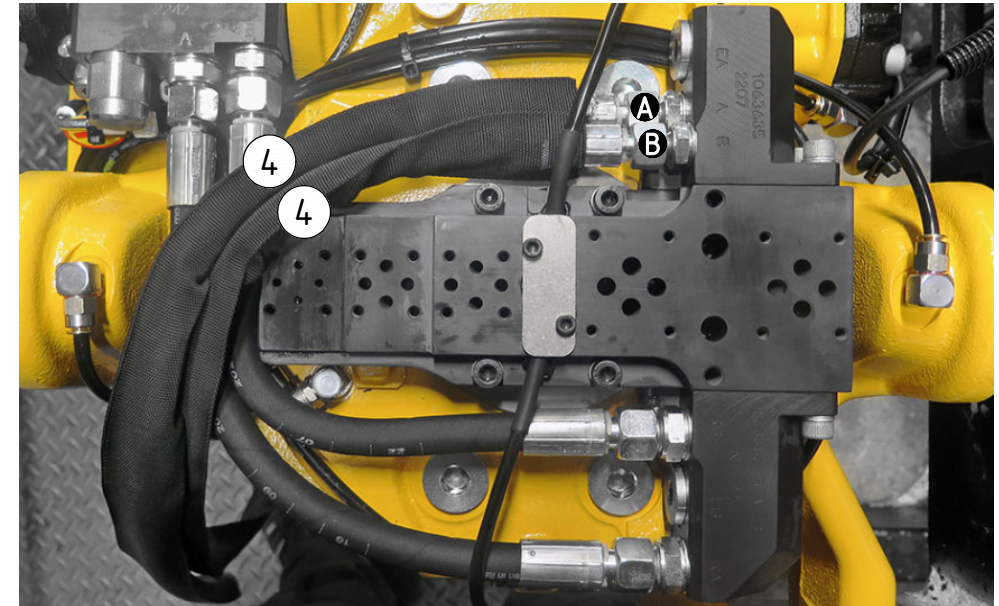
POS in order of assembly



EC-Oil:



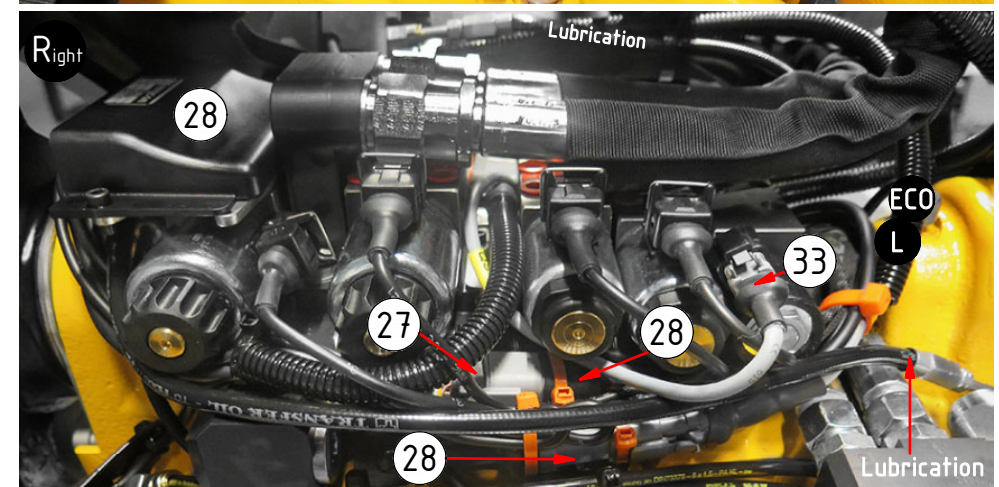
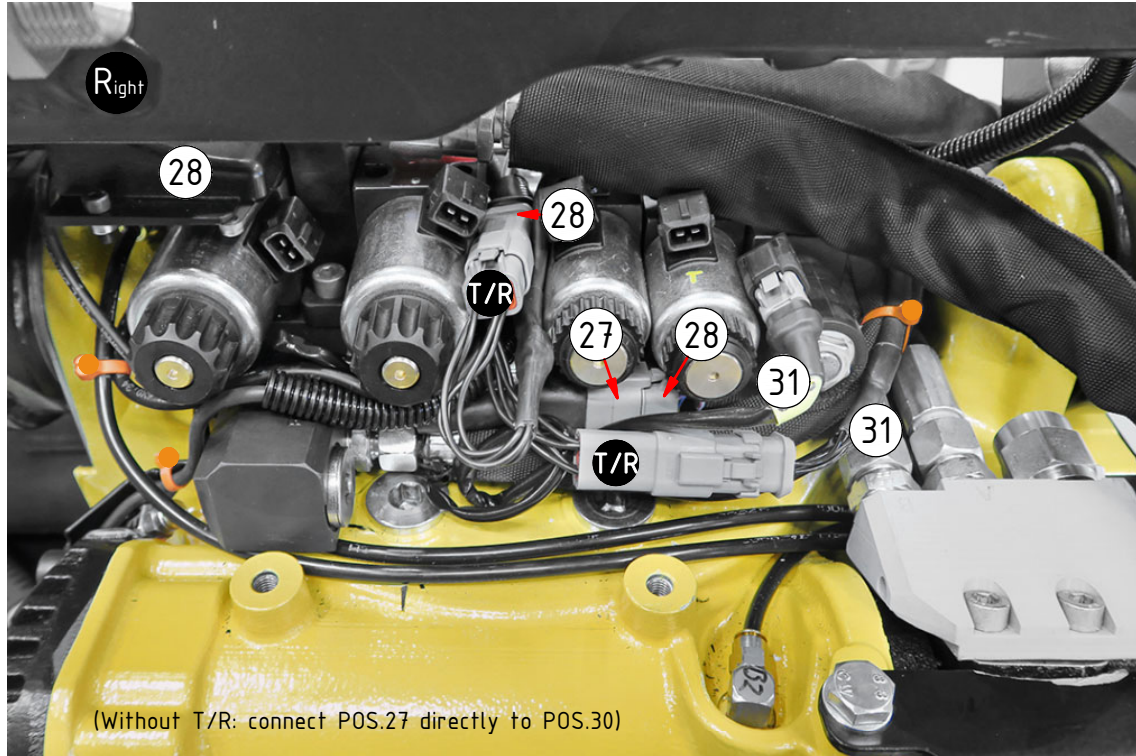
TILT:



Cables

POS	DESCRIPTION	PART	QTY	COMMENTS
27	Q-Safe connector			
28	Tiltrotator module DC2 Q-Safe	842137	1	
29	JT Jumper QSC connected	1018662	1	Plug JT connector "1"
31	Aggregate cable DC2 comp. QSC DT	8001201	1	
33	Adaptrcable ECO40W DC2 QSC DTM	1057843	1	For ECO40
● Use cable ties				

POS in order of assembly



Valves

POS	DESCRIPTION	PART	QTY	COMMENTS
-----	-------------	------	-----	----------

POS in order of assembly

