

## COVERSHEET

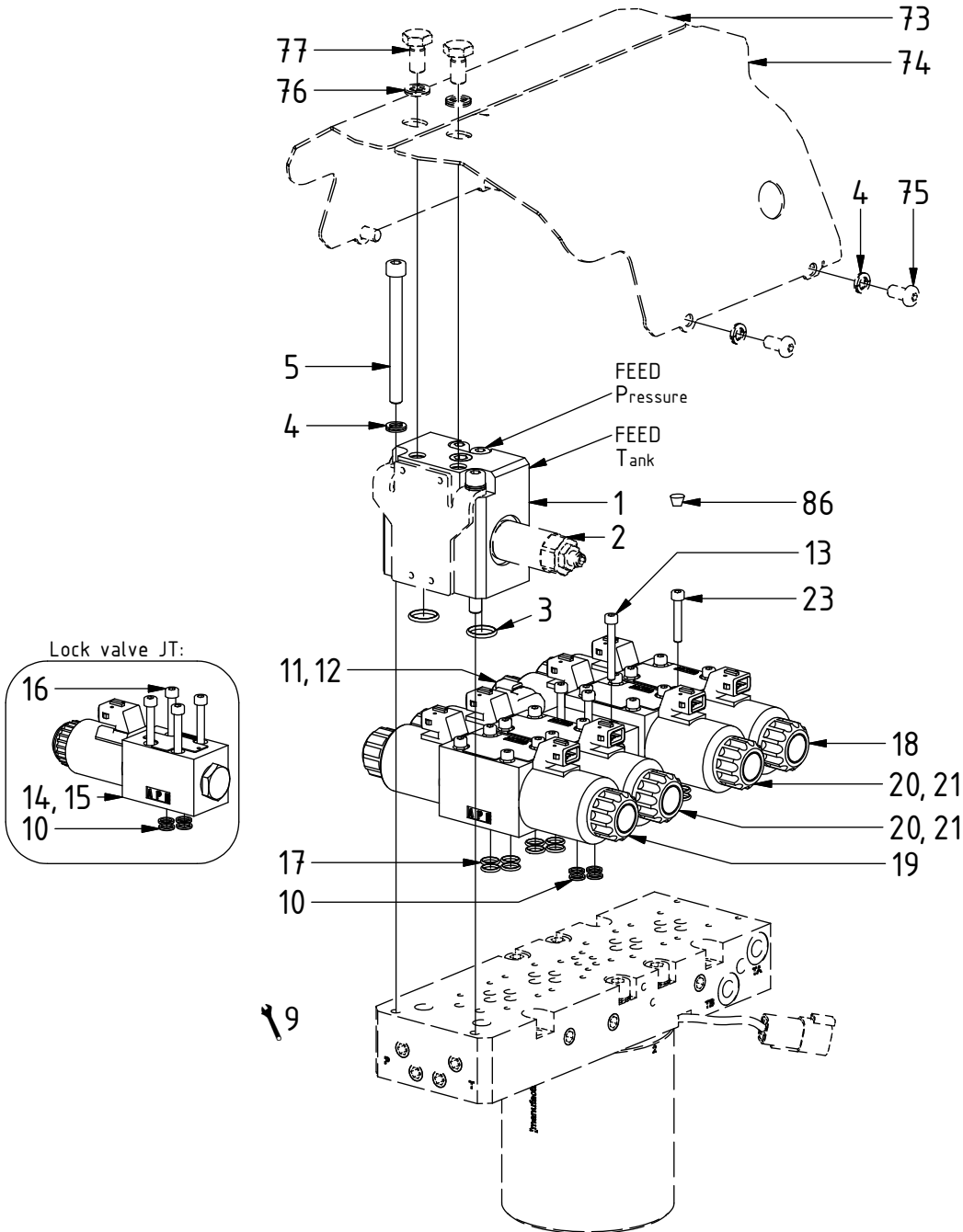
## Planned document changes:

**Briefly:**

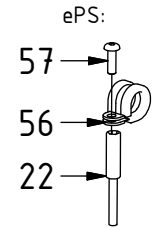
2024-08. POS.61 replaced by 8002459. (Only compatible with 8002477, NOT 1049315).

## Document changes:

<b>Date:</b>	<b>Change:</b>	<b>Rev. after change:</b>
2023-08-21	Spare parts updated.	L
2022-04-07	Valves updated. DC2 updated.	K
2022-02-23	O-rings updated. Hoses for menzi muck added.	J
2021-03-04	Layout/irrelevant.	I
2020-11-05	Option DC2SQ added.	H
2020-09-03	ePS cables replaced. ePS photos replaced.	G
2019-09-16	Hoses updated. Photos added.	F
2018-11-23	Tilt hoses for EC-Oil added. New cables for DC2 EC-Oil.	E
2018-05-31	Major changes to all pages: photos, valves, EC-Oil, ePS, MACS, QSC, all added and/or updated. Coversheet added.	D

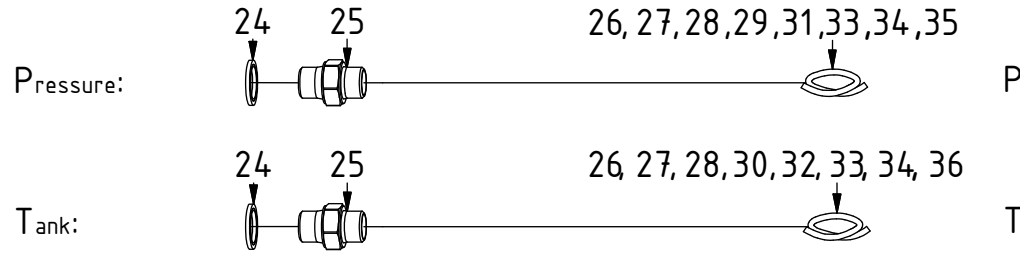


POS	DESCRIPTION	PART	QTY	COMMENTS
1	Pressure reduction block Complete	1019712	1	(POS.2 included)
2	Pressure reducing valve SP4A-B3	730288	1	
3	O-ring 15,3x2,4 NBR70	712402	2	
4	Washer NL 8mm	611040	8	QTY: 4 part of make up
5	MC6S M8x90 12.9	610444	4	
9	For option XP			See p.17 for instruction
10	O-ring 7,65x1,78	710960	4	
11	Directional valve NG4 IQS 12V DT	1042047	1	QS, CW, ECPUP, ss SIQ (POS.10 included)
12	Directional valve NG4 IQS 24V DT	1042190	1	QS, CW, ECPUP, ss SIQ (POS.10 included)
13	MC6S M5x40 12.9	610405	3	Torque: 9,7Nm
14	Directional valve NG4 12V JT	730312	1	(POS.10 included)
15	Directional valve NG4 24V JT	730310	1	(POS.10 included)
16	MC6S M5x35 12.9	610404	4	Torque: 9,7Nm
17	O-ring 8,75x1,78	710959	16	
18	Directional valve prop 12V open T	7001615	1	(POS.17 included)
19	Directional valve prop 12V	7001614	1	(POS.17 included)
20	Directional valve NG6 12V	7001617	2	(POS.17 included)
21	Directional valve NG6 24V	7001616	2	(POS.17 included)
22	Valve spacer ePS	1034402	1	Torque: 9,7Nm
23	MC6S M5x30 12.9	610403	16	Torque: 9,7Nm
56	Rubber steel clamp ø16	6000009	1	
57	K6S M5x16 10.9 FZB	611818	1	Torque: 8,1Nm
73	Protective cover EC209 right	1016515	1	
74	Protective cover EC209 left	1016516	1	
75	K6S M8x16 10.9 FZB	611810	4	
76	Washer NL 10mm	611041	2	
77	M6S M10x20 8.8	610141	2	
86	Plastic plug (red) for valves	790156	16	



Replace POS.23

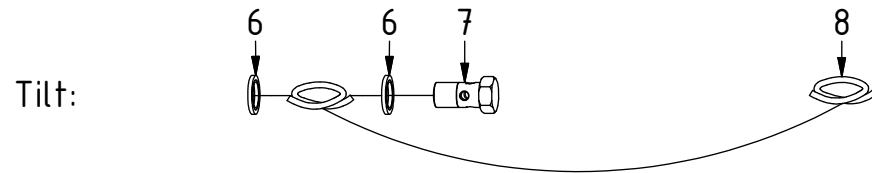
## Hoses FEED (Std)



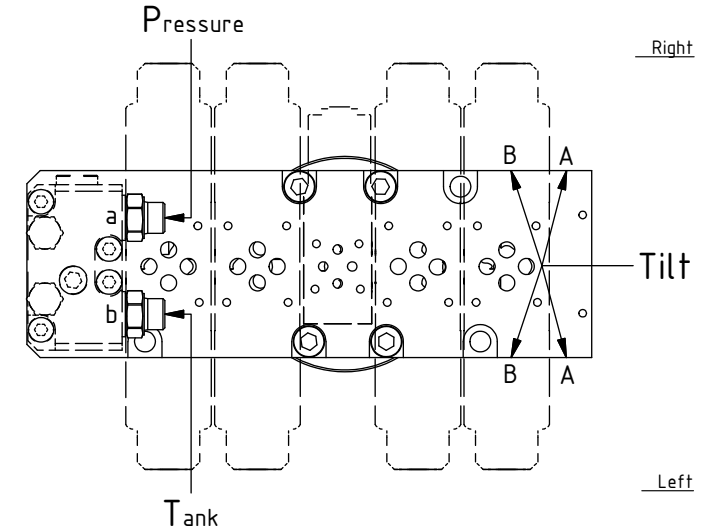
## FEED EC-Oil

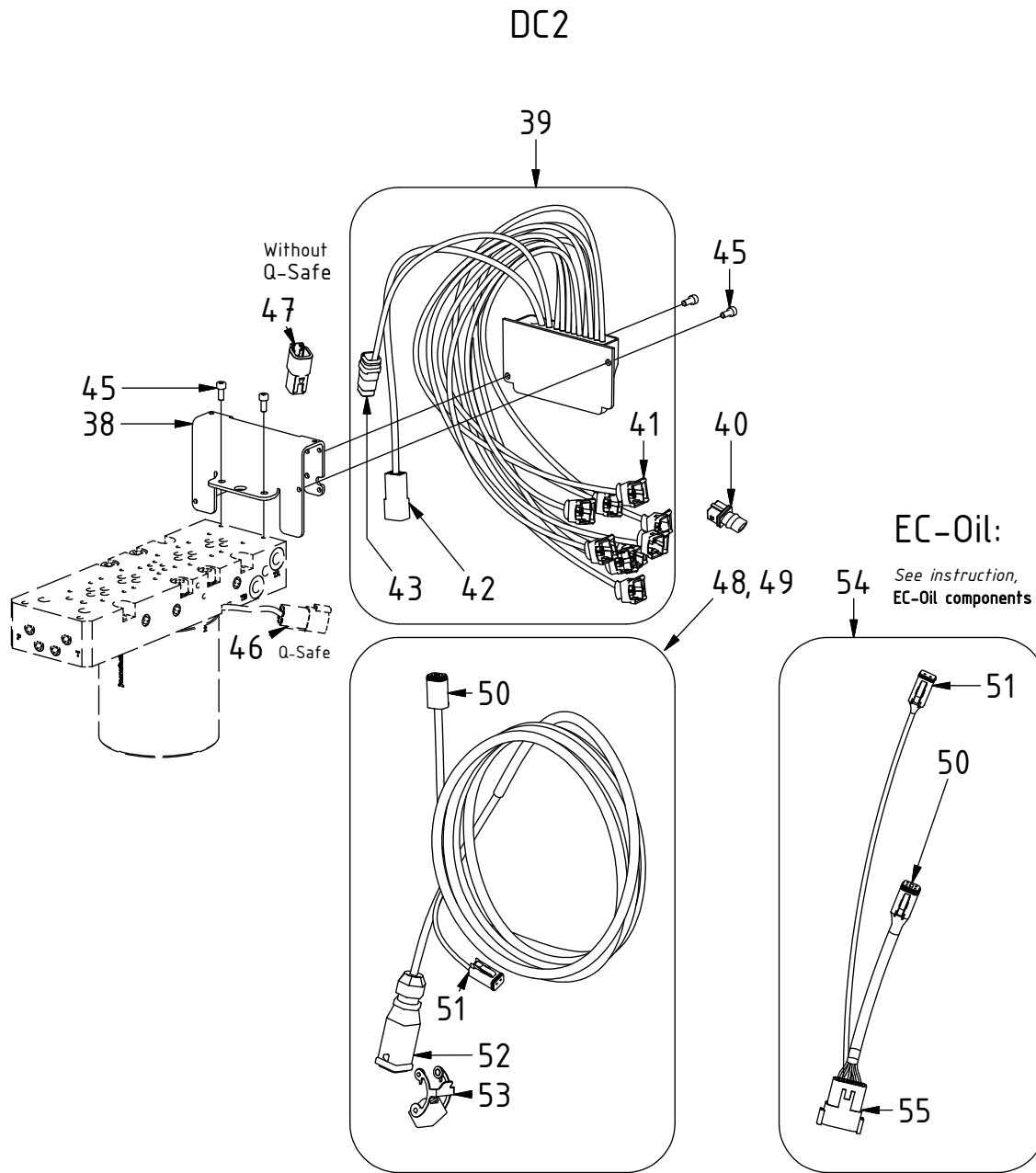


## TILT



POS	DESCRIPTION	PART	QTY	COMMENTS
6	Washer GBR04 1/4	710702	8	
7	Banjo bolt 4451-04 (1/4")	710271	4	
8	Hose Tilt	7000791	4	
24	Washer GBR06 3/8	710703	2	
25	Adapter 136-06-06 (3/8")	710106	2	
26	Hose Feed - UNI	742855	2	(Same for Feed Right/Left)
27	Hose Feed - QS45/50	7000012	2	QTY: 1 for Feed Right/Left
28	Hose Feed Right/Left - QS45/50	742814	1	Feed Right: Mount on a-side Feed Left: Mount on b-side
29	Hose Feed - HYD (P)	7000012	1	(same for Feed Right+Left)
30	Hose Feed - HYD (T)	742814	1	
31	Hose Feed Right - HYD (P)	7000650	1	Feed Right: Replace POS.29
32	Hose Feed Right - HYD (T)	7000608	1	Feed Right & Feed Right+Left: Replace POS.30
33	Hose Feed - Liebherr	742814	2	
34	Hose Feed - CW10, SW33	7000406	2	
35	Hose Feed - Menzi muck (P)	7000756	1	
36	Hose Feed - Menzi muck (T)	7000757	1	
37	Hose Feed - EC-Oil	742851	2	

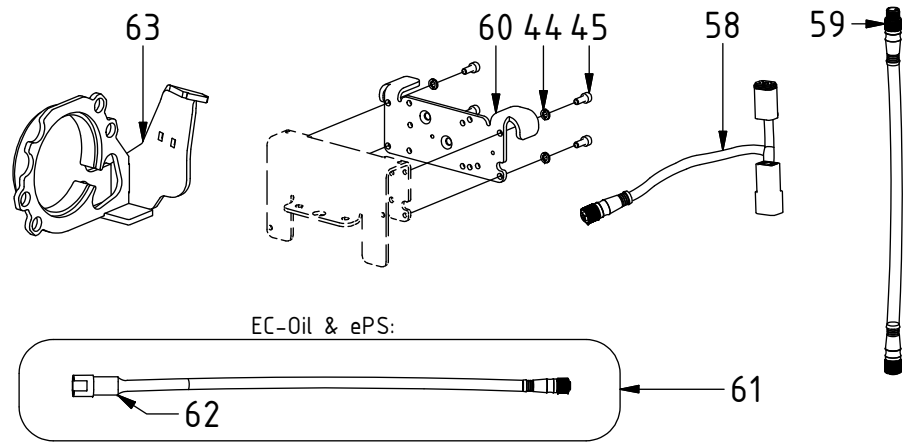




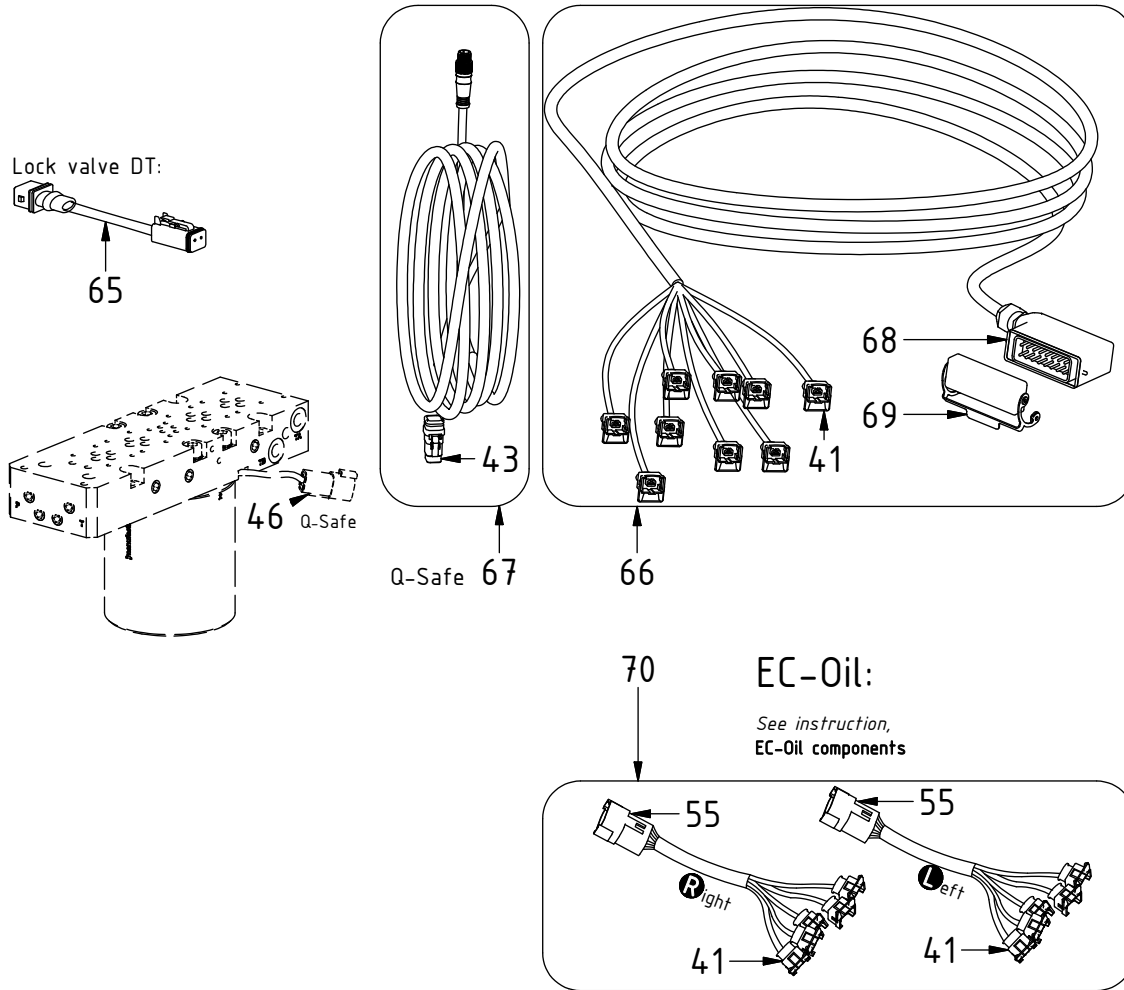
POS	DESCRIPTION	PART	QTY	COMMENTS
38	Bracket Tiltrotatmodul DC2 & ePS	1038301	1	
39	Tiltrotator module DC2 Q-Safe	842137	1	
40	Jumper JT QSC connected	1018662	1	Plug JT connector "1"
41	Connector JT	810218	9	
42	Connector Deutsch DT04-4P	820108	1	
43	Connector Deutsch DTM06-6S	8000053	1	
44	Washer NL 5mm	611038	4	
45	MC6S M5x12 12.9	6000077	4	QTY depends on config (4-8)
46	Only for Q-Safe, connector			
47	Protection plug DTM	8000090	1	
48	Aggregate cable DC2 comp. QSC DT	8001201	1	
49	Aggregate cable DC2 compl. QSC JT	8000175	1	For Lock valve JT. Replace POS.48
50	Connector Deutsch DT06-4S	820218	1	
51	Connector Deutsch DT06-2S	820219	1	
52	ILME contact 12P DC2 Complete	841192	4	
53	ILME cover 12P contact with jumper	810208	1	
54	Adapter cable ECO W DC2 QSC DTM	1048529	1	For EC-Oil. Replace POS.48
55	Connector Deutsch DTM04-12P	8000177	1	
58	Adapter cable DC2 ePS	8000783	1	Between POS.39 & 48 / 54 for ECO
59	Adapter cable ePS rotation sensor	8000784	1	Cut cable protection: 130mm
60	Adapter plate ePS (Not Trimble)	1039019	1	(Trimble directly on POS.38)
61	Cable Tilt angle sensor ECO W DC2	1048530	1	For EC-Oil with ePS
62	Connector Deutsch DTM04-6P	8000054	1	
63	Protection ePS	1033565	1	

**EC-Oil:**  
See instruction, EC-Oil components

**ePS:**

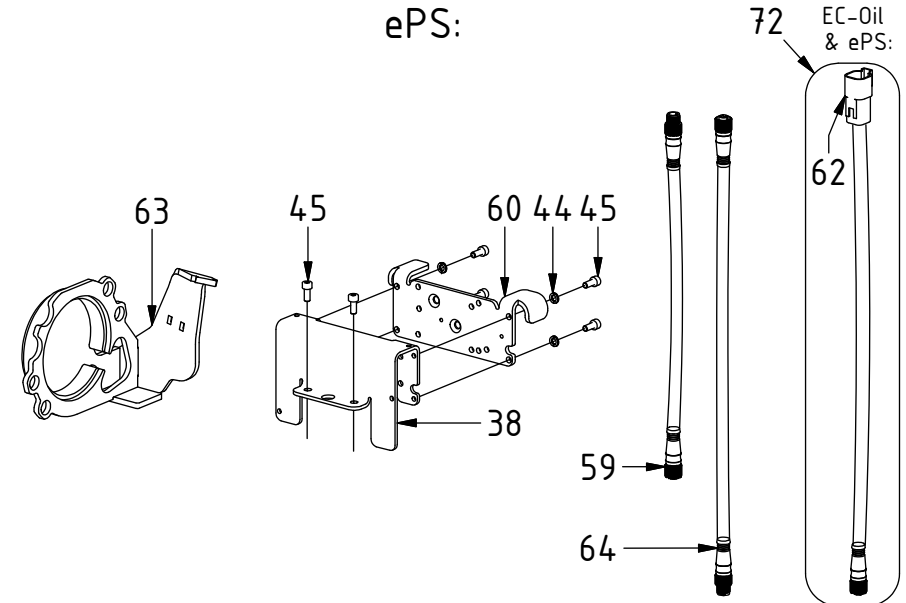


## ss10 (SVAB)



POS	DESCRIPTION	PART	QTY	COMMENTS
38	Bracket Tiltrotatmodul DC2 & ePS	1038301	1	
41	Connector JT	810218	9	
43	Connector Deutsch DTM06-6S	8000053	1	
44	Washer NL 5mm	611038	4	
45	MC6S M5x12 12.9	6000077	4	QTY depends on config (4-8)
46	Only for Q-Safe, connector			Attach to POS.67 or See EC-Oil comp.
55	Connector Deutsch DTM04-12P	8000177	1	
59	Adapter cable ePS rotation sensor	8000784	1	Cut cable protection: 130mm
60	Adapter plate ePS (Not Trimble)	1039019	1	(Trimble directly on POS.38)
62	Connector Deutsch DTM04-6P	8000054	1	
63	Protection ePS	1033565	1	
64	Ag.cable SVAB ePS w. 120 ohm ter.	8000824	1	
65	Adapter cable DT-JT	1017478	1	(Previously also for DC2)
66	Aggregate cable SVAB Complete	303465	1	
67	Cable QS QLM tiltrotator SVAB	842148	1	For Q-Safe
68	ILME contact 16P Complete	810203	1	
69	ILME cover 16P contact with jumper	810235	1	
70	Adapter cable ECO (DTM) SVAB	1029599	2	For EC-Oil. Replace POS.66-67
72	Ad.cable ePS ECOW SVAB 120 ohm	8000825	1	For EC-Oil ePS. Replace POS.64

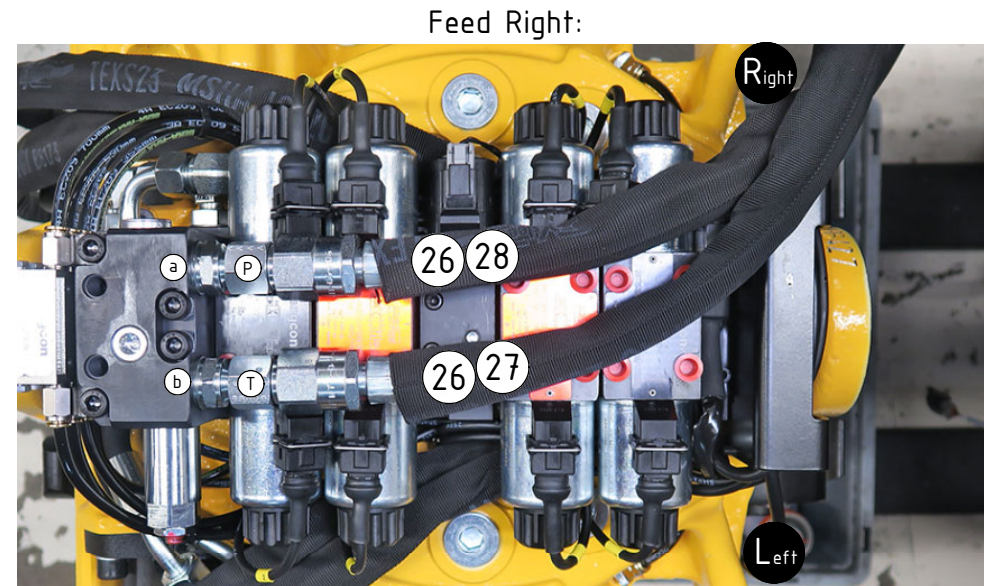
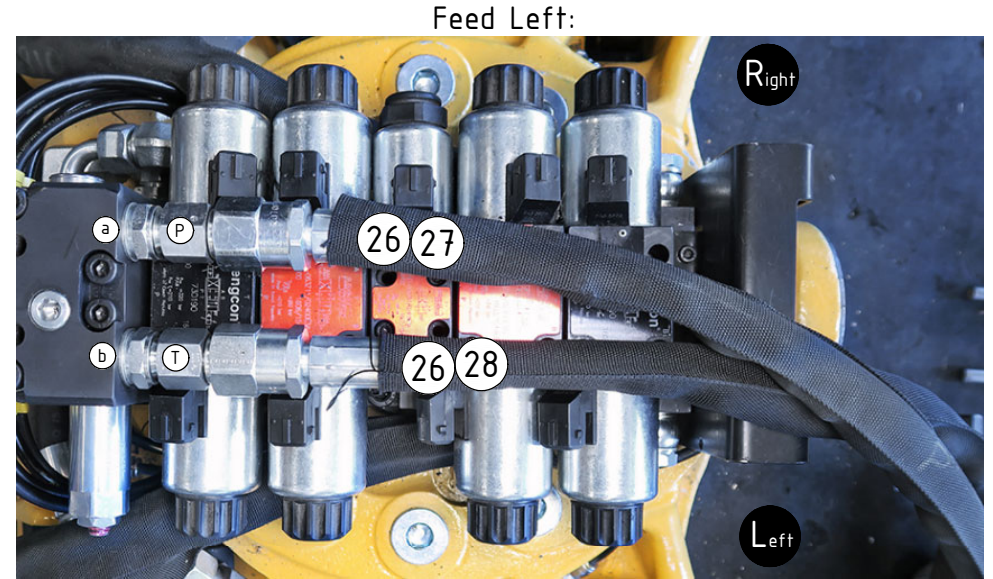
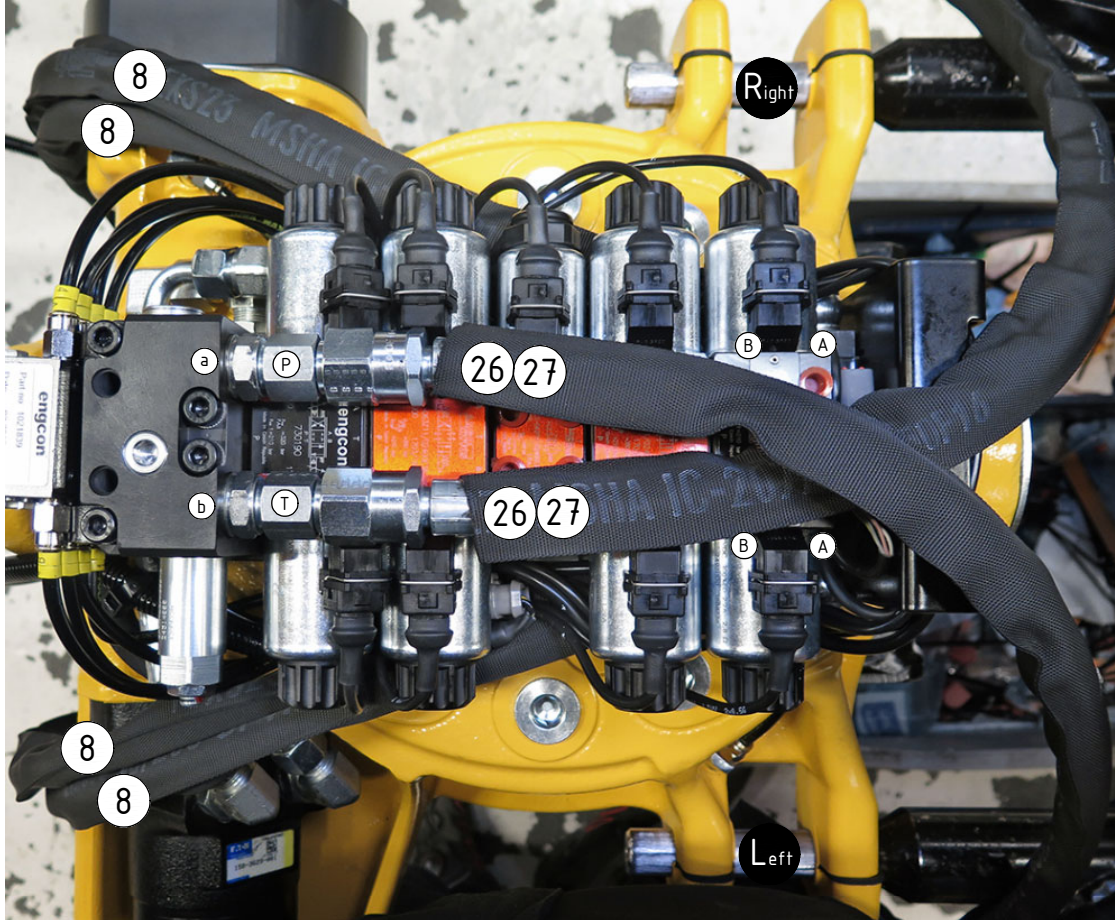
## ePS:



## Hoses QS45/50, UNI

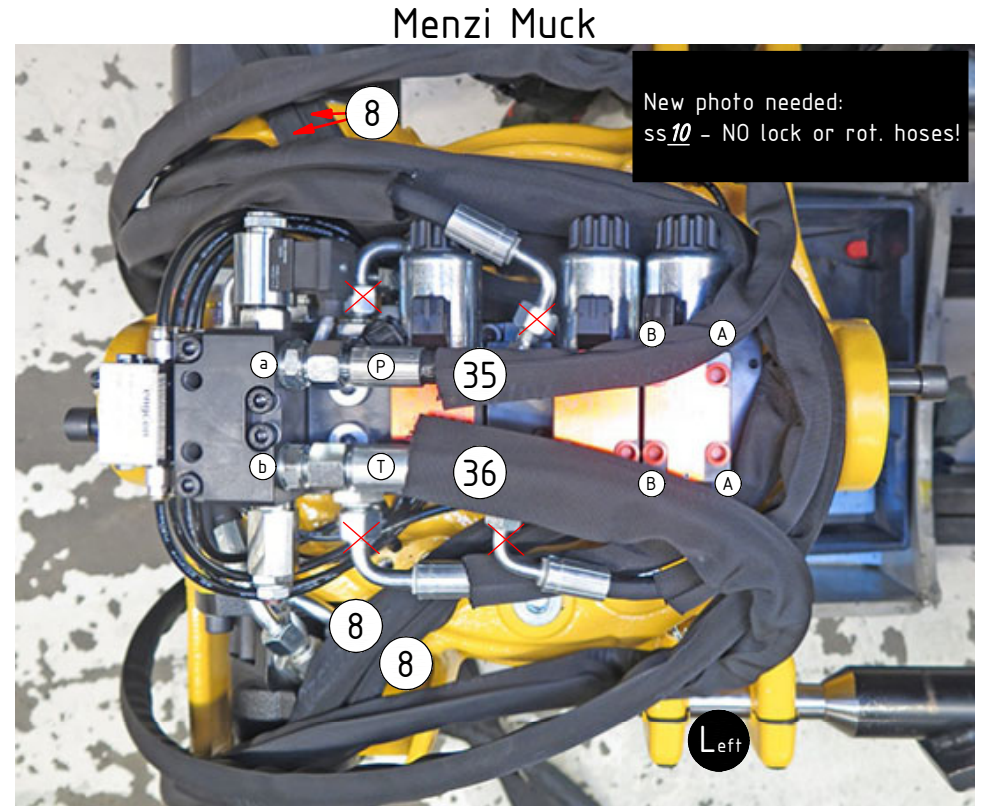
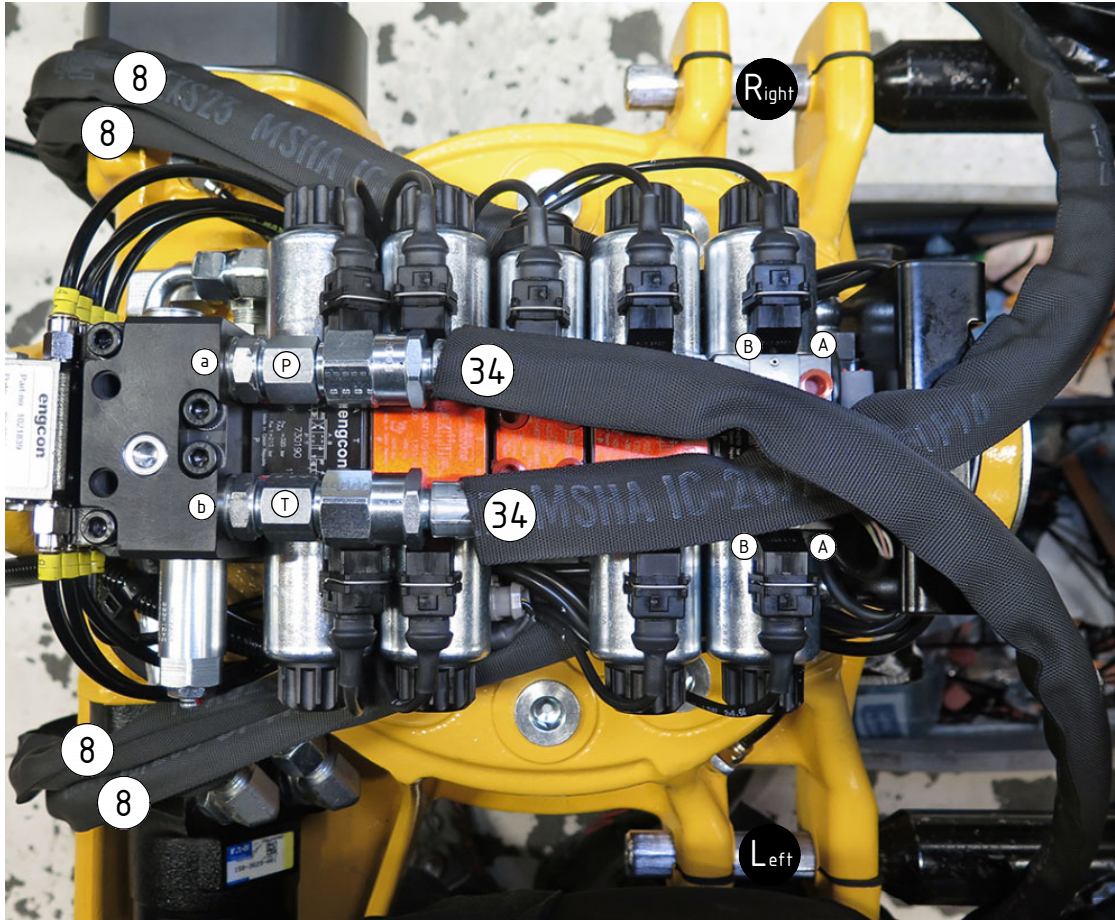
POS	DESCRIPTION	PART	QTY	COMMENTS
8	Hose Tilt	7000791	4	
26	Hose Feed - UNI	742855	2	(Same for Feed Right/Left)
27	Hose Feed - QS45/50	7000012	2	QTY: 1 for Feed Right/Left
28	Hose Feed Right/Left - QS45/50	742814	1	Feed Right: Mount on a-side Feed Left: Mount on b-side

POS in order of assembly



## Hoses CW10, SW33

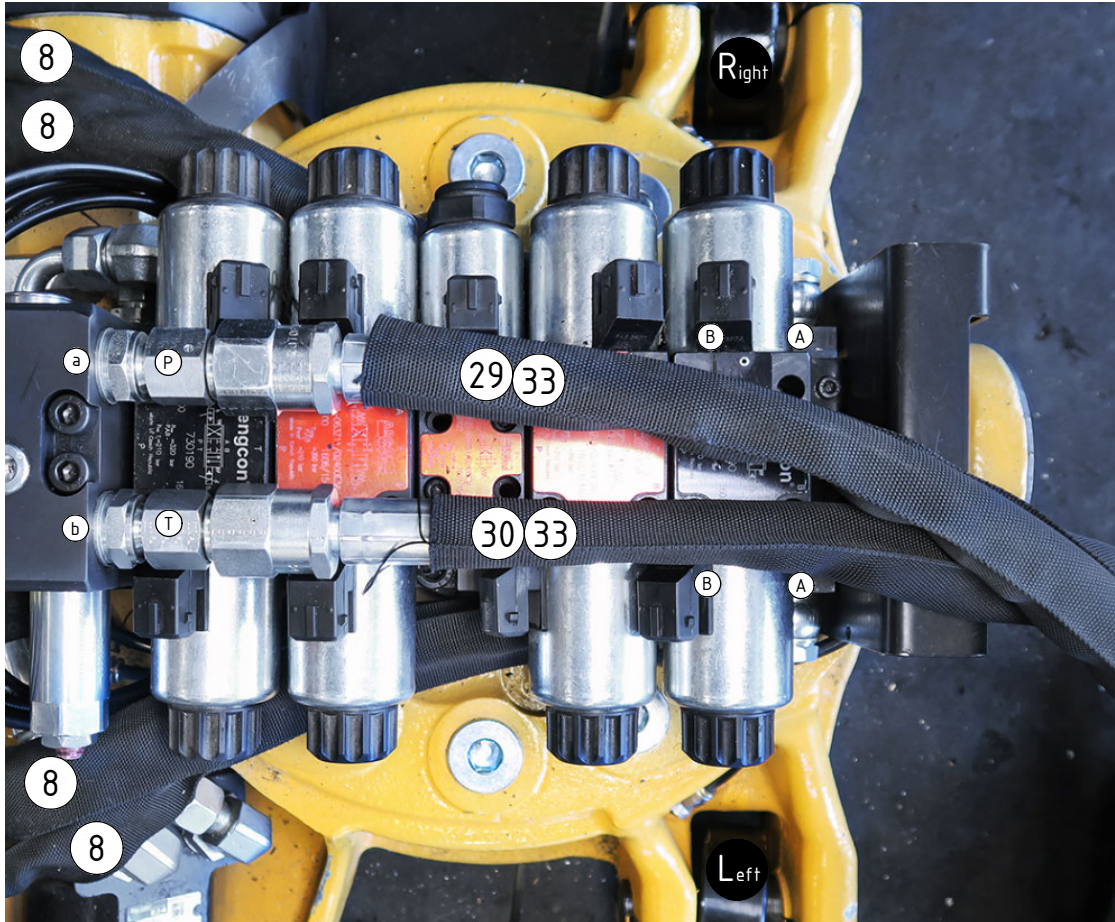
POS	DESCRIPTION	PART	QTY	COMMENTS
8	Hose Tilt	7000791	4	
34	Hose Feed - CW10, SW33	7000406	2	
35	Hose Feed - Menzi muck (P)	7000756	1	
36	Hose Feed - Menzi muck (T)	7000757	1	



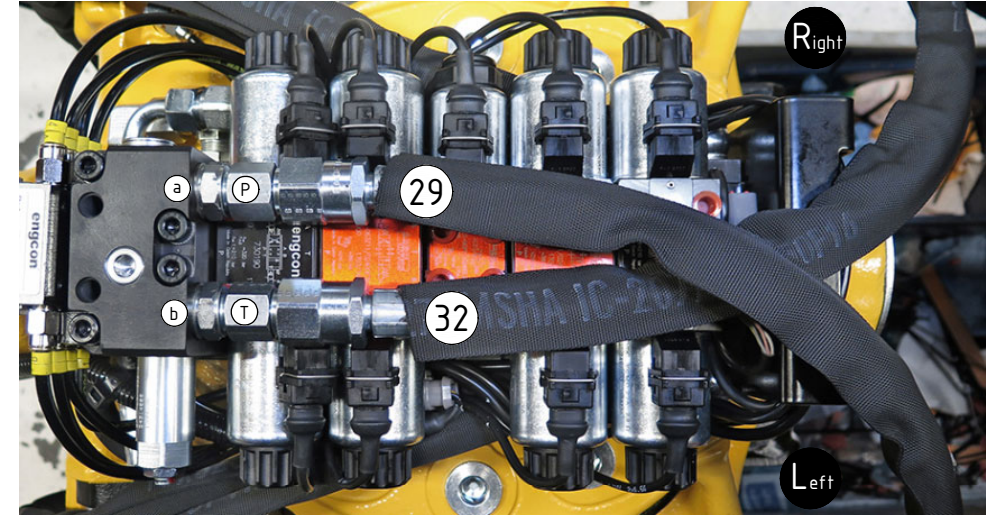
## Hoses HYD, Liebherr

POS	DESCRIPTION	PART	QTY	COMMENTS
8	Hose Tilt	7000791	4	
29	Hose Feed - HYD (P)	7000012	1	(same for Feed Right+Left)
30	Hose Feed - HYD (T)	742814	1	
31	Hose Feed Right - HYD (P)	7000650	1	Feed Right: Replace POS.29
32	Hose Feed Right - HYD (T)	7000608	1	Feed Right & Feed Right+Left: Replace POS.30
33	Hose Feed - Liebherr	742814	2	

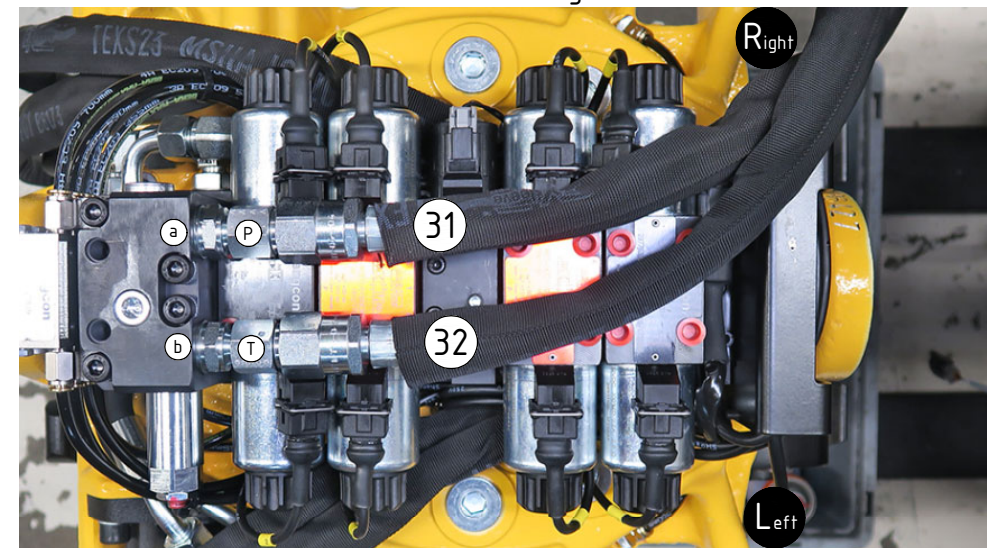
POS in order of assembly



HYD Feed Right+Left:



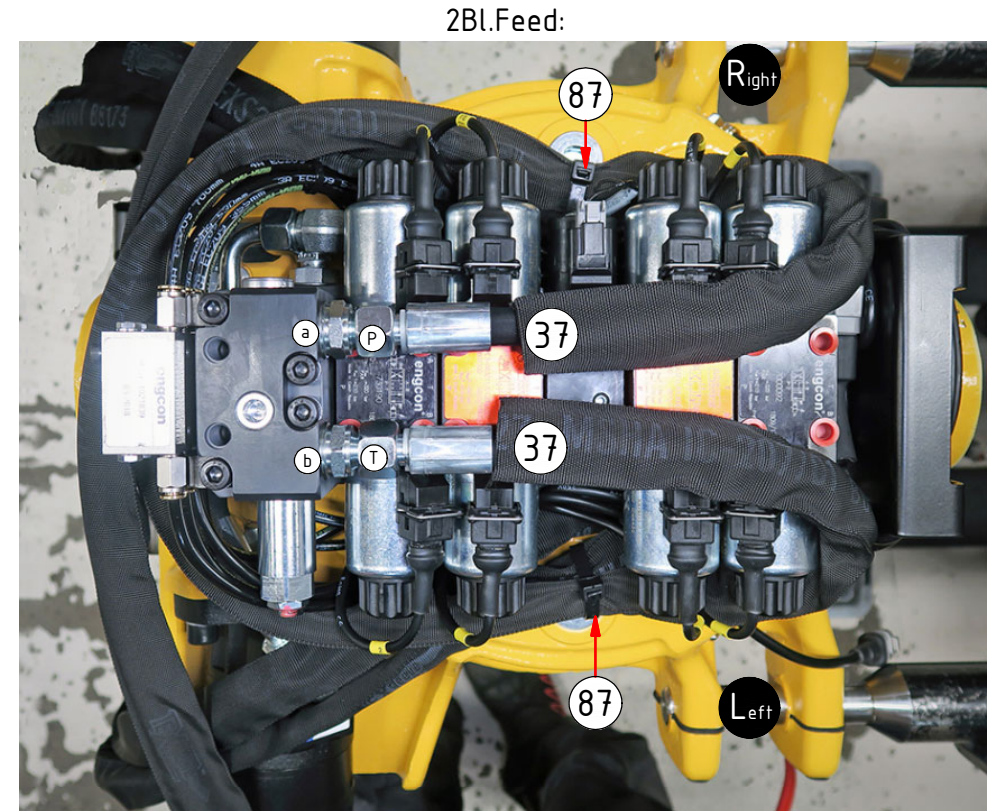
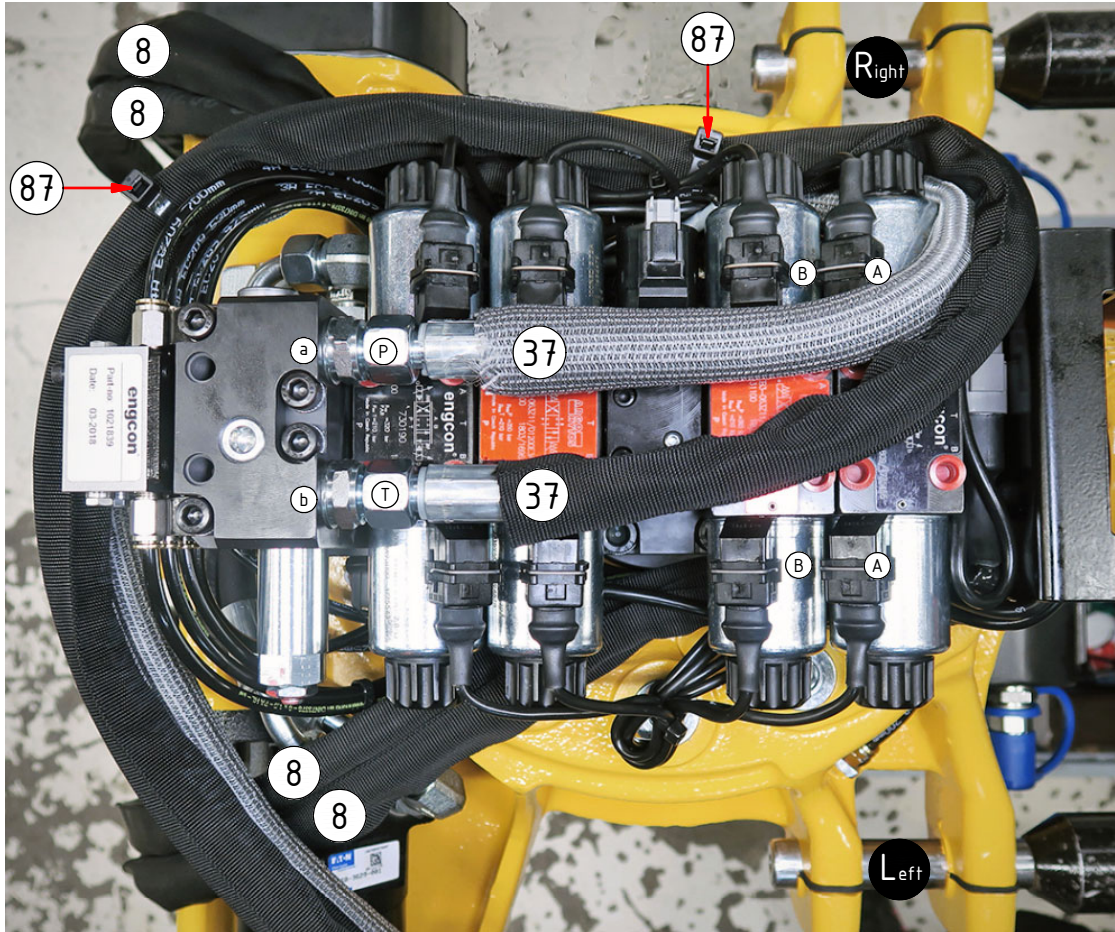
HYD Feed Right:





## Hoses Top EC-Oil

POS	DESCRIPTION	PART	QTY	COMMENTS
8	Hose Tilt	7000791	4	
37	Hose Feed - EC-Oil	742851	2	
87	Cable tie 7,8x360	1021587	1	

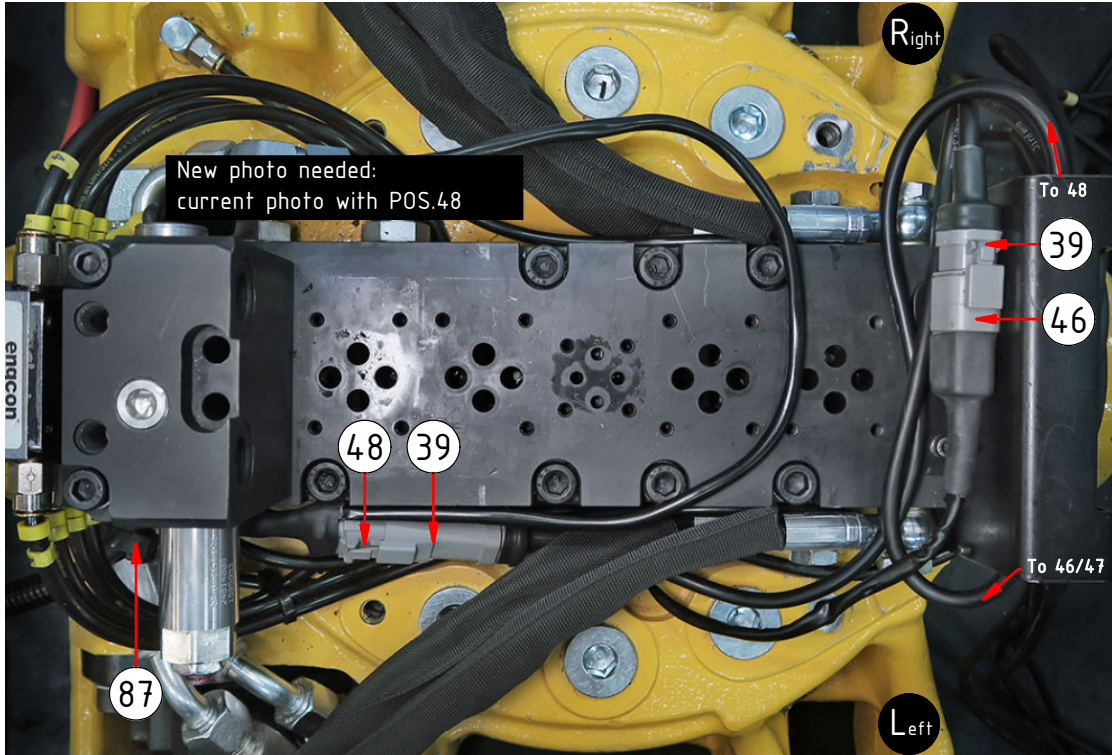


DC2  
Std

Cables/connectors:

POS	DESCRIPTION	PART	QTY	COMMENTS
39	Tiltrotator module DC2 Q-Safe	842137	1	
46	Only for Q-Safe, connector			
47	Protection plug DTM (if no QS)	8000090	1	
48	Aggregate cable DC2 comp. QSC DT	8001201	1	
49	Aggregate cable DC2 compl. QSC JT	8000175	1	For Lock valve JT. Replace POS.48
87	Cable tie 7,8x360	1021587	1	

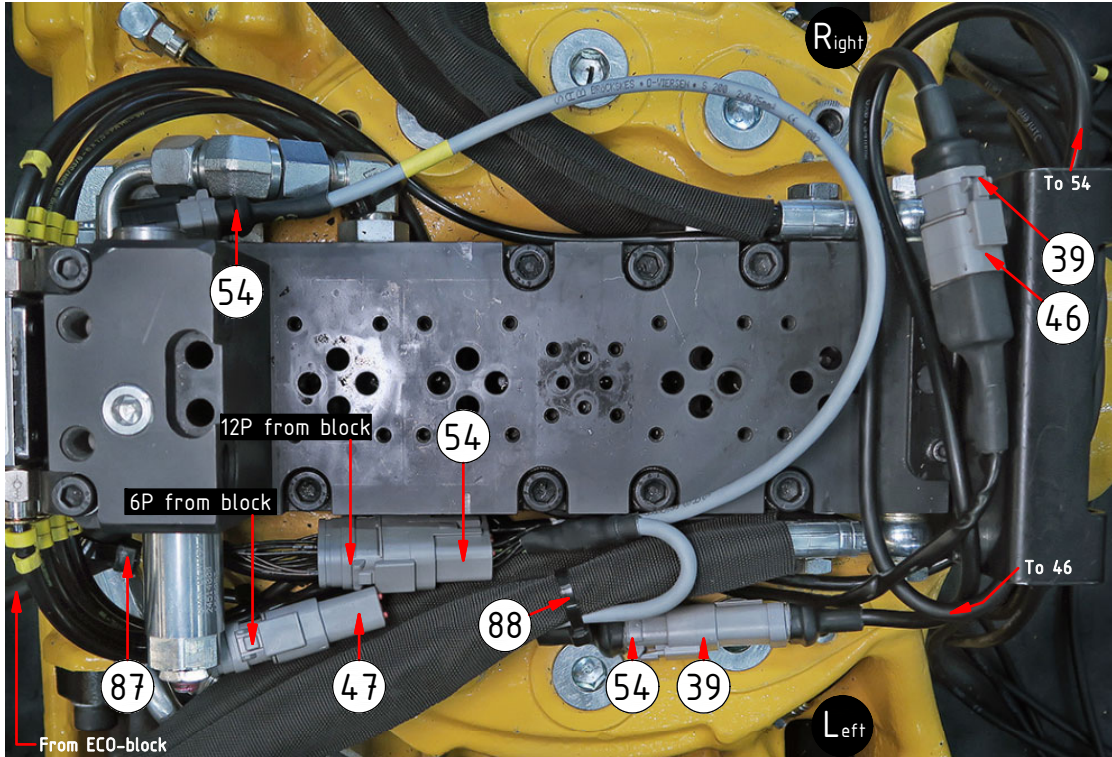
POS in order of assembly



See instruction,  
EC-Oil components

DC2  
Top EC-Oil

Cables/connectors:



Lubrication:

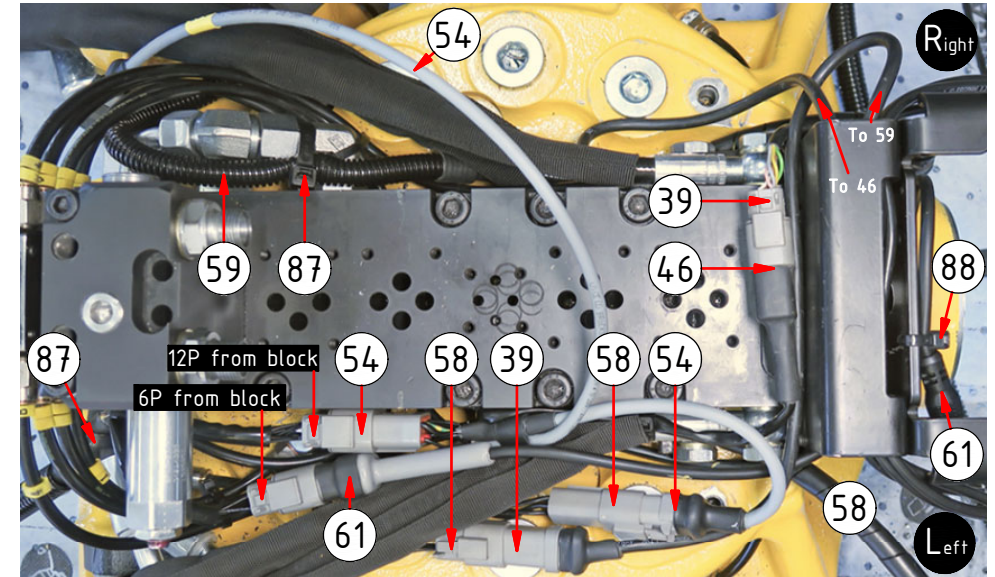


POS	DESCRIPTION	PART	QTY	COMMENTS
39	Tiltrotator module DC2 Q-Safe	842137	1	
46	Only for Q-Safe, connector			
47	Protection plug DTM	8000090	1	
54	Adapter cable ECO W DC2 QSC DTM	1048529	1	
58	Adapter cable DC2 ePS	8000783	1	Between POS.39 & 54
59	Adapter cable ePS rotation sensor	8000784	1	Cut cable protection: 130mm
61	Cable Tilt angle sensor ECO W DC2	1048530	1	For EC-Oil with ePS
87	Cable tie 7,8x360	1021587	1	
88	Cable tie 4,8x360	1021586	1	

POS in order of assembly

Top EC-Oil & ePS:

Cables/connectors:

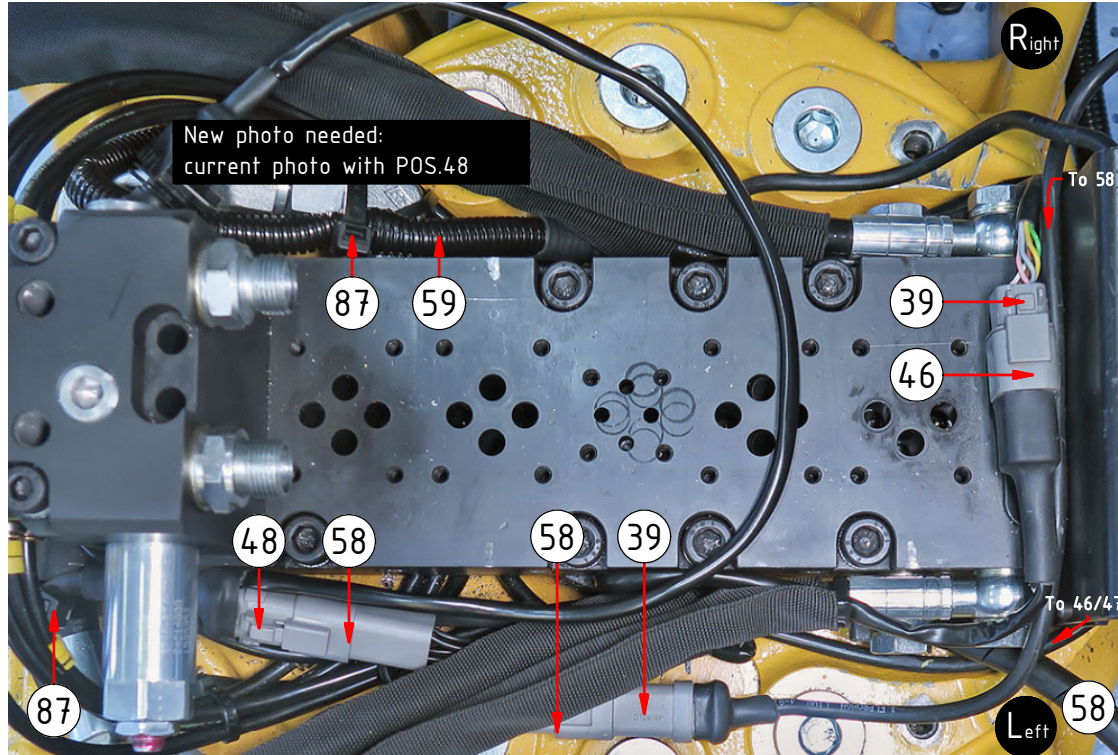


Continue to page 12 for ePS sensor connection.

Valves/JT on page 16. 11 /19

DC2  
ePS

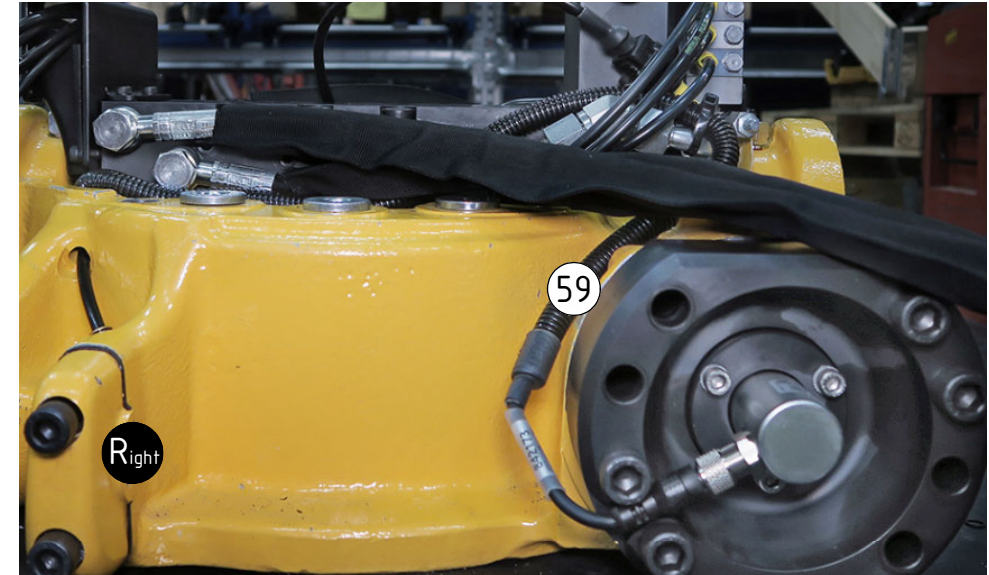
Cables/connectors:



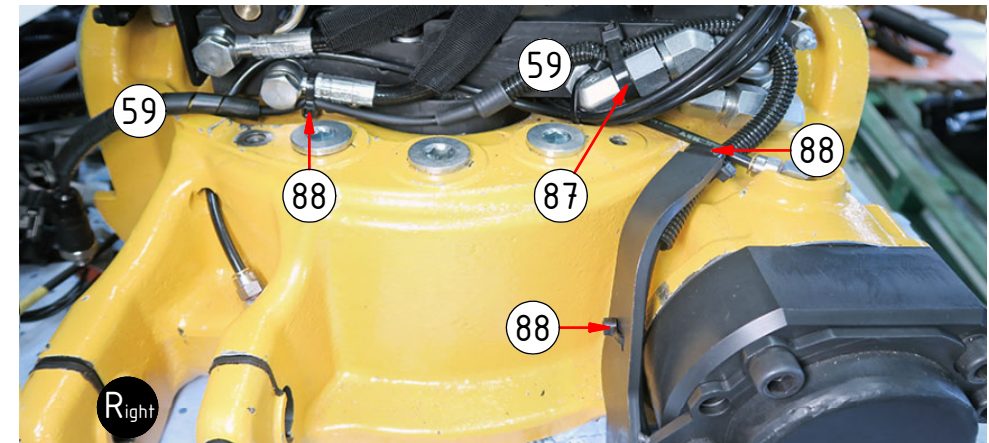
POS	DESCRIPTION	PART	QTY	COMMENTS
39	Tiltrotator module DC2 Q-Safe	842137	1	
46	Only for Q-Safe, connector			
47	Protection plug DTM	8000090	1	
48	Aggregate cable DC2 comp. QSC DT	8001201	1	
49	Aggregate cable DC2 compl. QSC JT	8000175	1	For Lock valve JT. Replace POS.48
58	Adapter cable DC2 ePS	8000783	1	
59	Adapter cable ePS rotation sensor	8000784	1	Cut cable protection: 130mm
87	Cable tie 7,8x360	1021587	1	
88	Cable tie 4,8x360	1021586	1	

POS in order of assembly

Sensor connection:



Sensor cable:

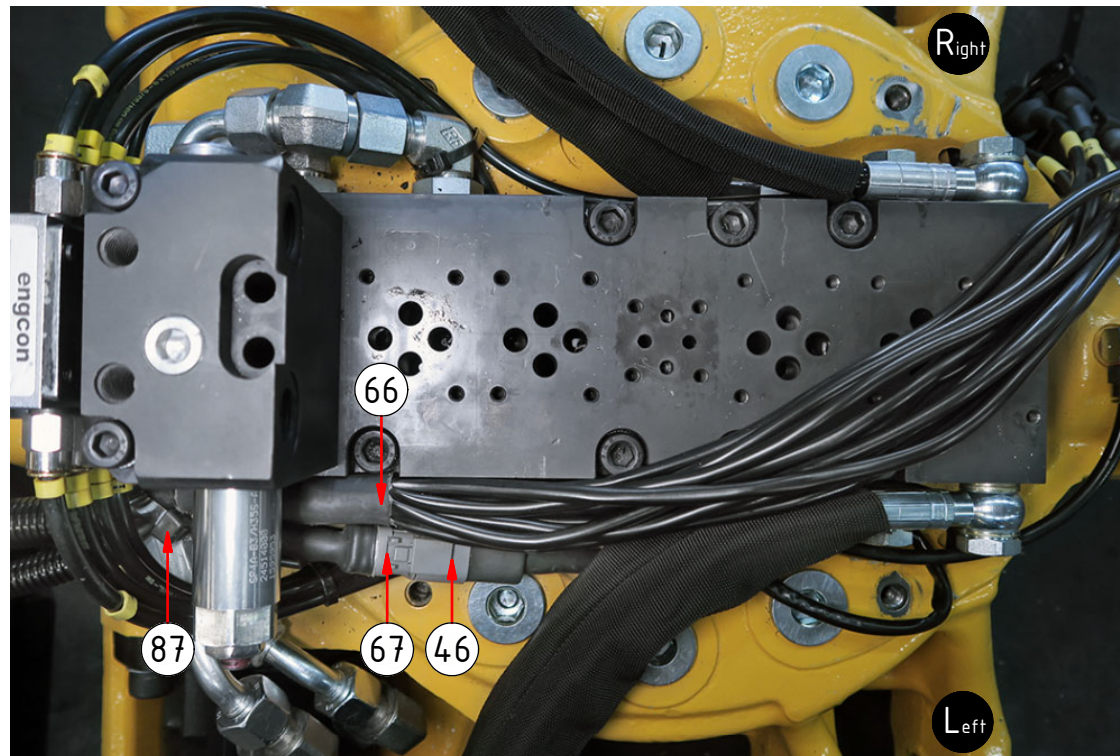


Dashed lines for overview, mounts on other pages/assemblies. indicates instruction. represents hose.

ss10 (SVAB)  
Std

POS	DESCRIPTION	PART	QTY	COMMENTS
46	Only for Q-Safe, connector			
66	Aggregate cable SVAB Complete	303465	1	
67	Cable QS QLM tiltrotator SVAB	842148	1	For Q-Safe
87	Cable tie 7,8x360	1021587	1	

Cables/connectors:

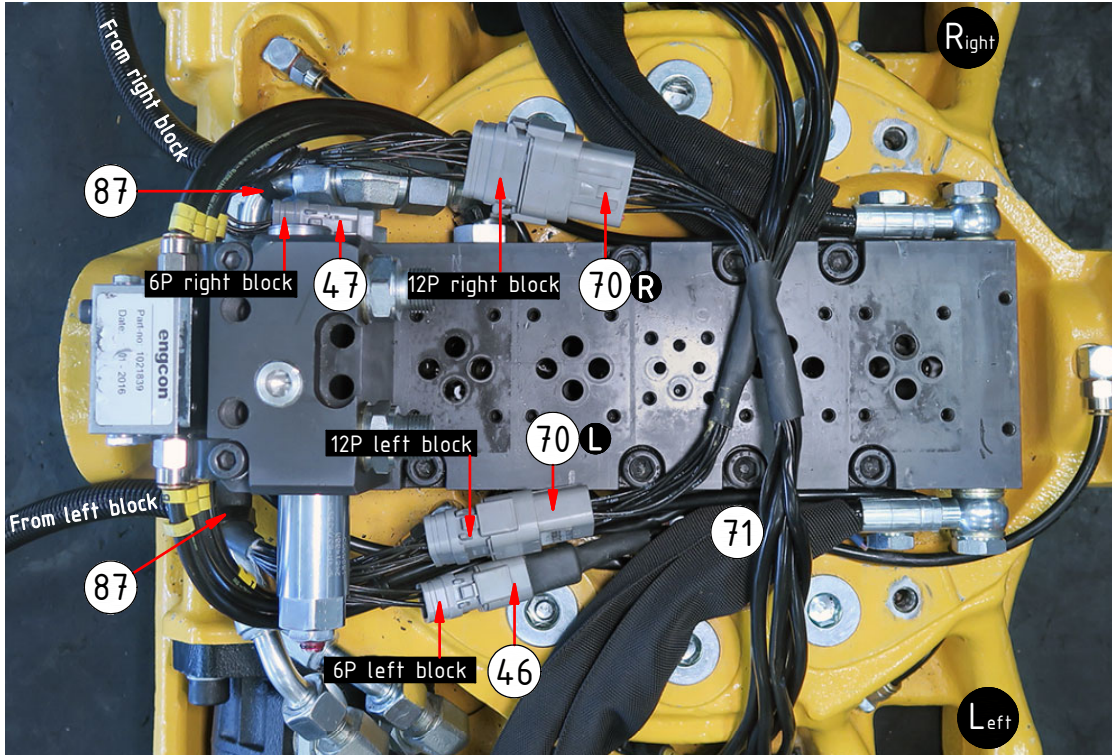


POS in order of assembly

See instruction,  
EC-Oil components

## ss10 (SVAB) Top EC-Oil

Cables/connectors:



Lubrication:

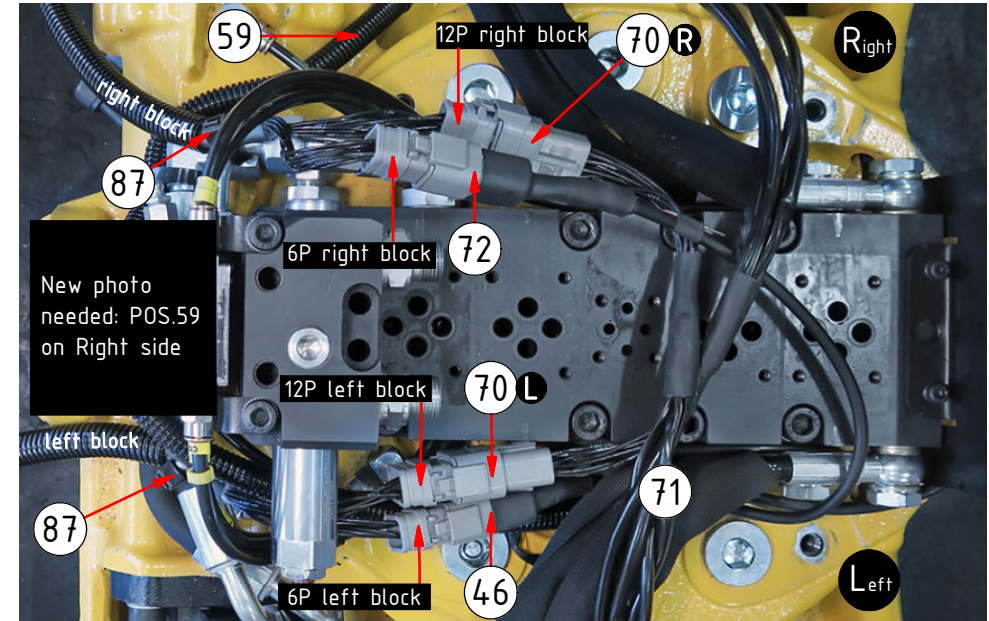


POS	DESCRIPTION	PART	QTY	COMMENTS
46	Only for Q-Safe, connector			Attach to 6P from Left block
47	Protection plug DTM	8000090	1	No ePS: attach to 6P from Right block
59	Adapter cable ePS rotation sensor	8000784	1	Cut cable protection: 130mm
65	Adapter cable DT-JT	1017478	1	
70	Adapter cable ECO (DTM) SVAB	1029599	2	
71	Plug JT	1045154	1	Plug JT connector "1" on Right
72	Ad.cable ePS ECOW SVAB 120 ohm	8000825	1	For EC-Oil ePS. Replace POS.64
87	Cable tie 7,8x360	1021587	1	

POS in order of assembly

### Top EC-Oil & ePS:

Cables/connectors:

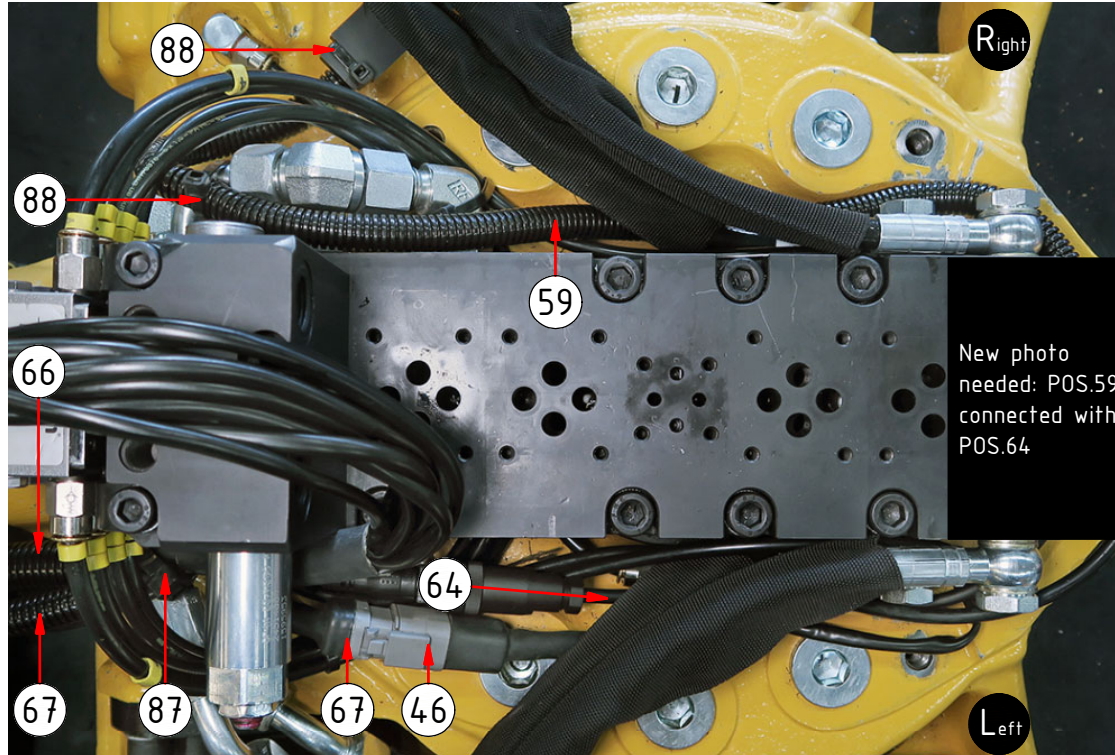


Continue to page 15 for ePS sensor connection.

Valves/JT on page 16. 14 /19

## ss10 (SVAB) ePS

Cables/connectors:

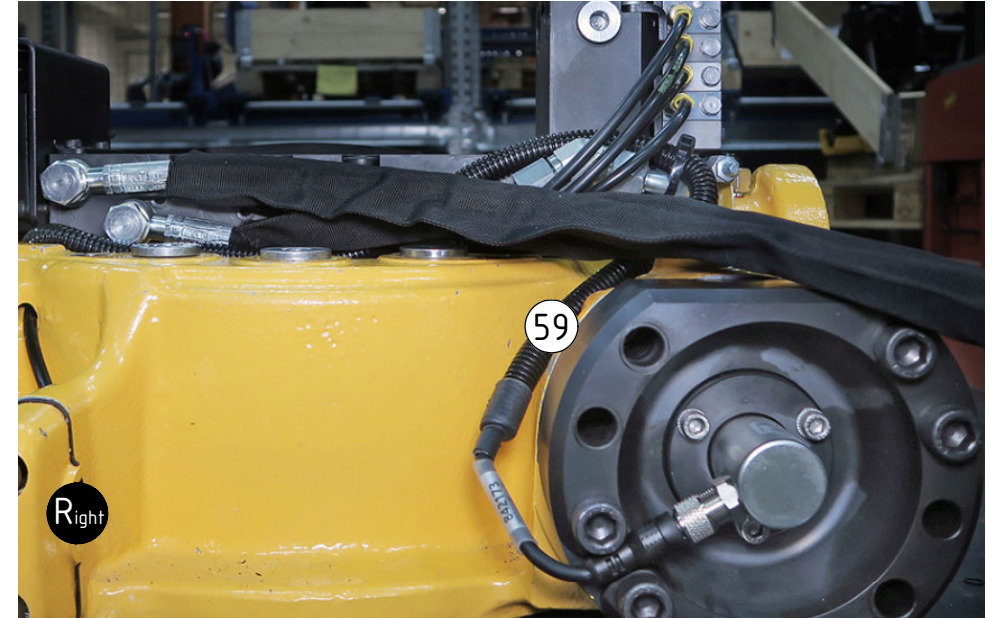


New photo needed: POS.59 connected with POS.64

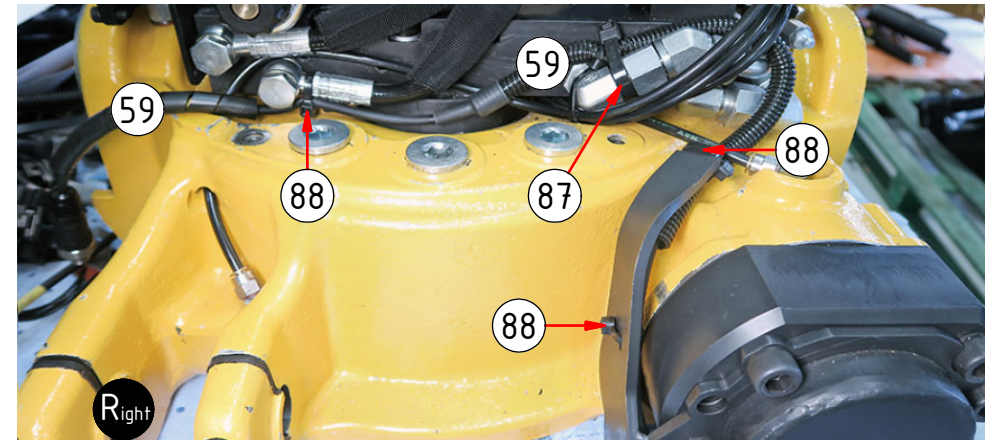


POS	DESCRIPTION	PART	QTY	COMMENTS
46	Only for Q-Safe, connector			
59	Adapter cable ePS rotation sensor	8000784	1	Cut cable protection: 130mm
64	Ag.cable SVAB ePS w. 120 ohm ter.	8000824	1	
66	Aggregate cable SVAB Complete	303465	1	
67	Cable QS QLM tiltrotator SVAB	842148	1	For Q-Safe
87	Cable tie 7,8x360	1021587	1	
88	Cable tie 4,8x360	1021586	1	

Sensor connection:



Sensor cable:

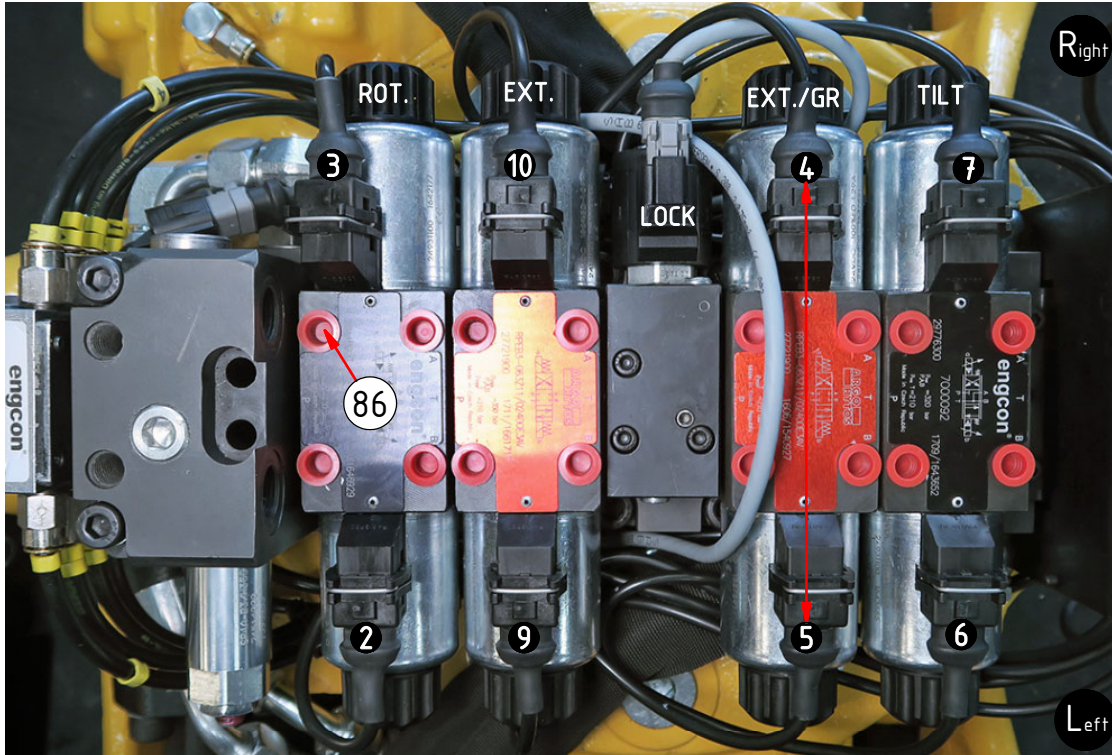


POS	DESCRIPTION	PART	QTY	COMMENTS
86	Plastic plug (red) for valves	790156	16	

## DC2 & ss10 (SVAB)

Valve connections

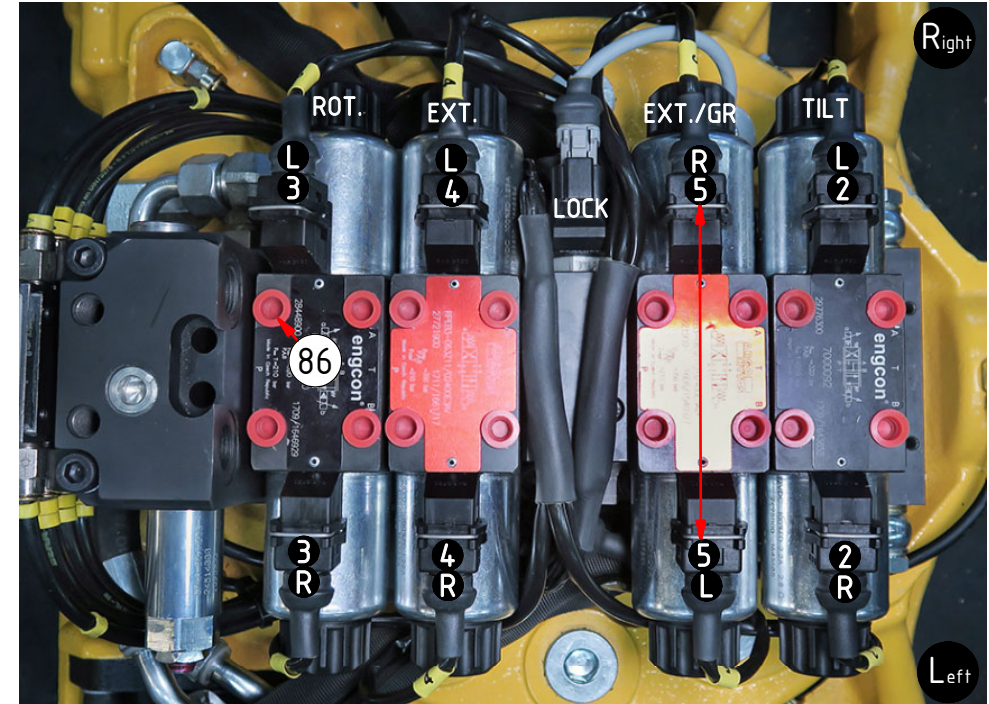
Std, ePS, DC2 Top EC-Oil  
JT marked with numbers:



4 & 5 switches place when **NOT** equipped to hold a grab adapter or grab cassette.

ss10 (SVAB) Top EC-Oil  
JT marked with numbers:

("1" from R is not connected)



5 & 5 switches place when **NOT** equipped to hold a grab adapter or grab cassette.

Lock valve IQS DT:



DC2: aggregate cable DT to valve  
SVAB: JT "1" to adapter cable DT

Lock valve JT:

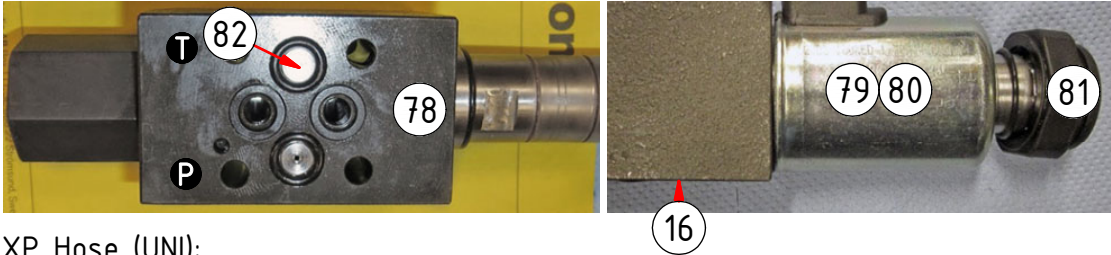


DC2: aggregate cable JT to valve  
SVAB: JT "1" to valve

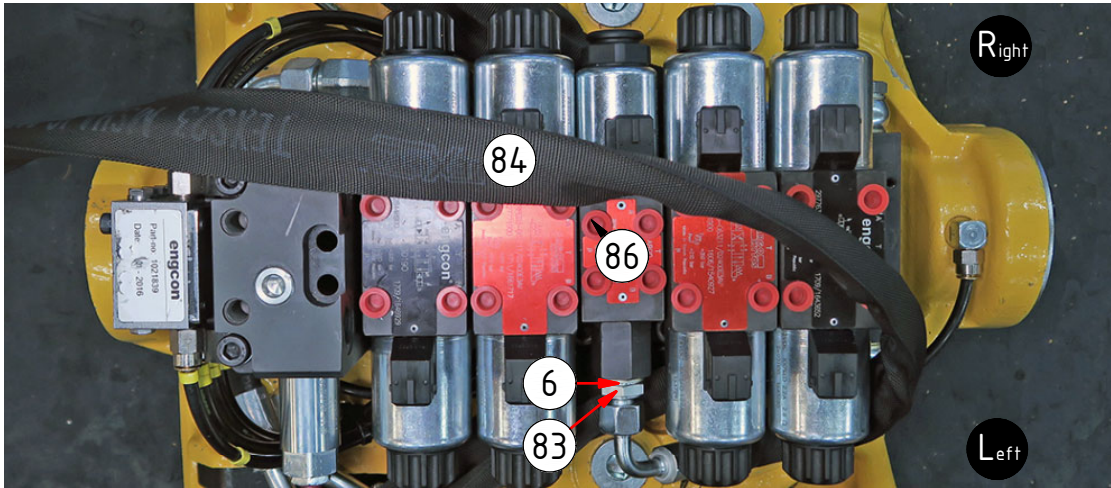


special / options

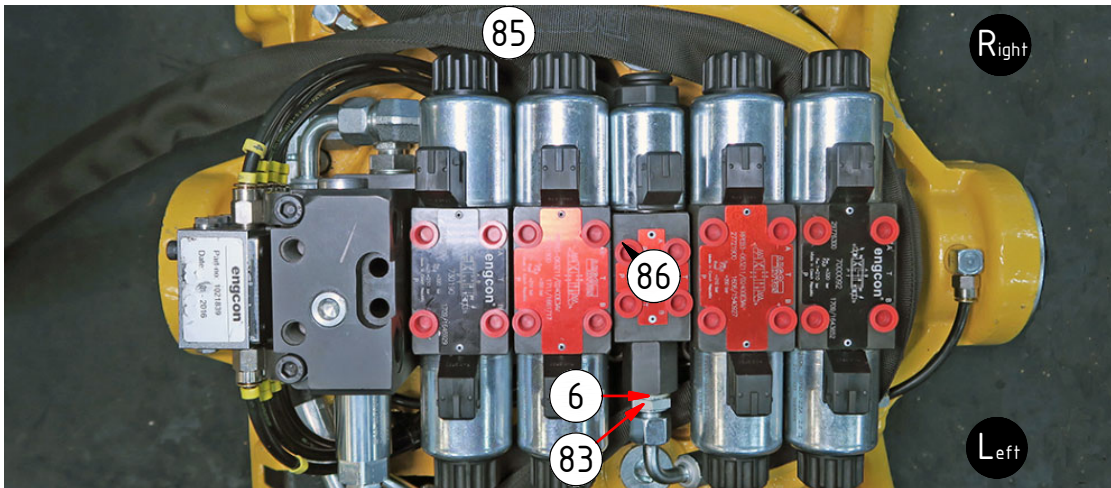
XP valve:



XP Hose (UNI):



XP Hose (others):



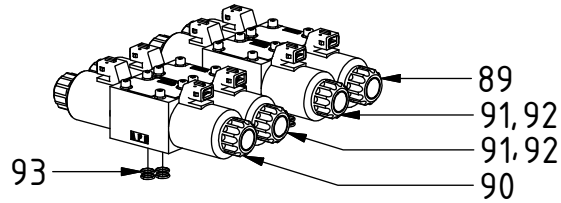
POS	DESCRIPTION	PART	QTY	COMMENTS
6	Washer GBR04 1/4	710702	8	
16	MC6S M5x35 12.9	610404	4	Torque: 9,7Nm
39	Tiltrotator module DC2 Q-Safe	842137	1	
40	Jumper JT	1018662	1	Plug JT connector "1"
78	Directional valve XP crossparallel NG4 without Coil	730321	1	Nut (POS.81) and o-ring with chokenozzle included. Assemble with POS.79/80
79	Coil NG4 12V JT	730313	1	
80	Coil NG4 24V JT	730311	1	
81	Nut directional valve NG4	1006785	1	
82	Plug D0 for NG4 / VRP2-04	790191	1	O-ring included
83	Adapter 138-04-29 (1/4")	710135	1	
84	Hose Drainage XP - UNI	7000041	1	For UNI top parts
85	Hose Drainage XP	7000489	1	For other top parts
86	Plastic plug (red) for valves	790156	16	

DC2SQ, no Lock valve:



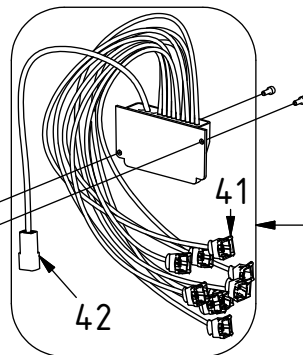
## Related spare parts

Used until 2022-06



O-rings, coils & nuts are not compatible between valve brands

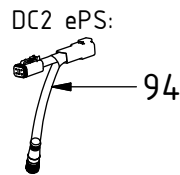
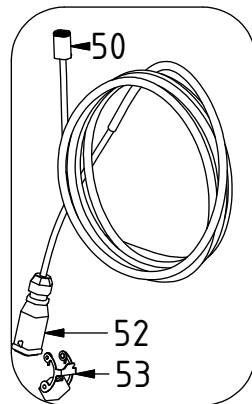
DC2:



1021745  
Replaced by POS.38  
from 2016-12

841106  
Replaced by POS.39  
from 2016-03

DC2 ePS:  
1034388  
Replaced by POS.38 & 60



841121  
Replaced by POS.49  
from 2018-01

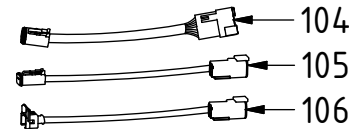
SVAB ePS:  
1033047  
Replaced by POS.38 & 60



MACS on p.19

POS	DESCRIPTION	PART	QTY	COMMENTS
17	O-ring 8,75x1,78	710959	16	
18	Directional valve prop 12V open T	7001615	1	(POS.17 included)
19	Directional valve prop 12V	7001614	1	(POS.17 included)
20	Directional valve NG6 12V	7001617	2	(POS.17 included)
21	Directional valve NG6 24V	7001616	2	(POS.17 included)
38	Bracket Tiltrotatmodul DC2 & ePS	1038301	1	
39	Tiltrotator module DC2 Q-Safe	842137	1	
44	Washer NL 5mm	611038	4	
48	Aggregate cable DC2 comp. QSC DT	8001201	1	
49	Aggregate cable DC2 compl. QSC JT	8000175	1	For Lock valve JT. Replace POS.48
54	Adapter cable ECO W DC2 QSC DTM	1048529	1	For EC-Oil. Replace POS.48
58	Adapter cable DC2 ePS	8000783	1	
59	Adapter cable ePS rotation sensor	8000784	1	Cut cable protection: 130mm
60	Adapter plate ePS (Not Trimble)	1039019	1	(Trimble directly on POS.38)
64	Ag.cable SVAB ePS w. 120 ohm ter.	8000824	1	
72	Ad.cable ePS ECOW SVAB 120 ohm	8000825	1	For EC-Oil ePS. Replace POS.64
89	Argo hytos valve prop 12V open T	7000092	1	Replaced by POS.18 (ATOS)
90	Argo hytos valve prop 12V	730190	1	Replaced by POS.19 (ATOS)
91	Argo hytos valve NG6 12V	730101	1	Replaced by POS.20 (ATOS)
92	Argo hytos valve NG6 24V	730103	1	Replaced by POS.21 (ATOS)
93	O-ring 9,25x1,78	710901	1	Used until 2022-06
94	Adapter cable DC2 ePS DT DT M12	842173	1	Replaced by POS.58 from 2019-10
95	Adap. cable SVAB ePS rot. sensor	842188	1	Replaced by POS.59 from 2019-10
96	Agg. cable SVAB ePS rot. sensor	842187	1	Replaced by POS.64 from 2019-10
97	Adapter cable ePS ECO W SVAB	1042245	1	Replaced by POS.72 from 2019-10
98	Adapter 401-04-04 90° (1/4")	710151	4	Replaced by Banjos from 2017-04
99	Hose Tilt - UNI	742854	4	Used with POS.98
100	Hose Tilt Long - QS45/50	742852	2	Used with POS.98
101	Hose Tilt Short - QS45/50	742853	2	Used with POS.98
102	Hose Tilt Long - HYD	742812	2	Used with POS.98
103	Hose Tilt Short - HYD	742815	2	Used with POS.98
104	Adapter cable ECO W DC2 DTM QSC	1044790	1	Replaced by POS.54 from 2018-08
105	Adapter cable ECO W DC2 DTM	1042249	1	Replaced by POS.54 from 2018-08
106	Adapter cable Lock ECO DC2 QSC	1042250	1	Replaced by POS.105 from 2017-10
107	Cable ePS ECO SVAB	1033021	1	Replaced by POS.97 from 2017-10

DC2 EC-Oil QSC:



ss10 (SVAB)  
ePS:



Tilt hoses until 2017-04:



ss10 (SVAB)  
EC-Oil & ePS:



