

COVERSHEET

Planned document changes:

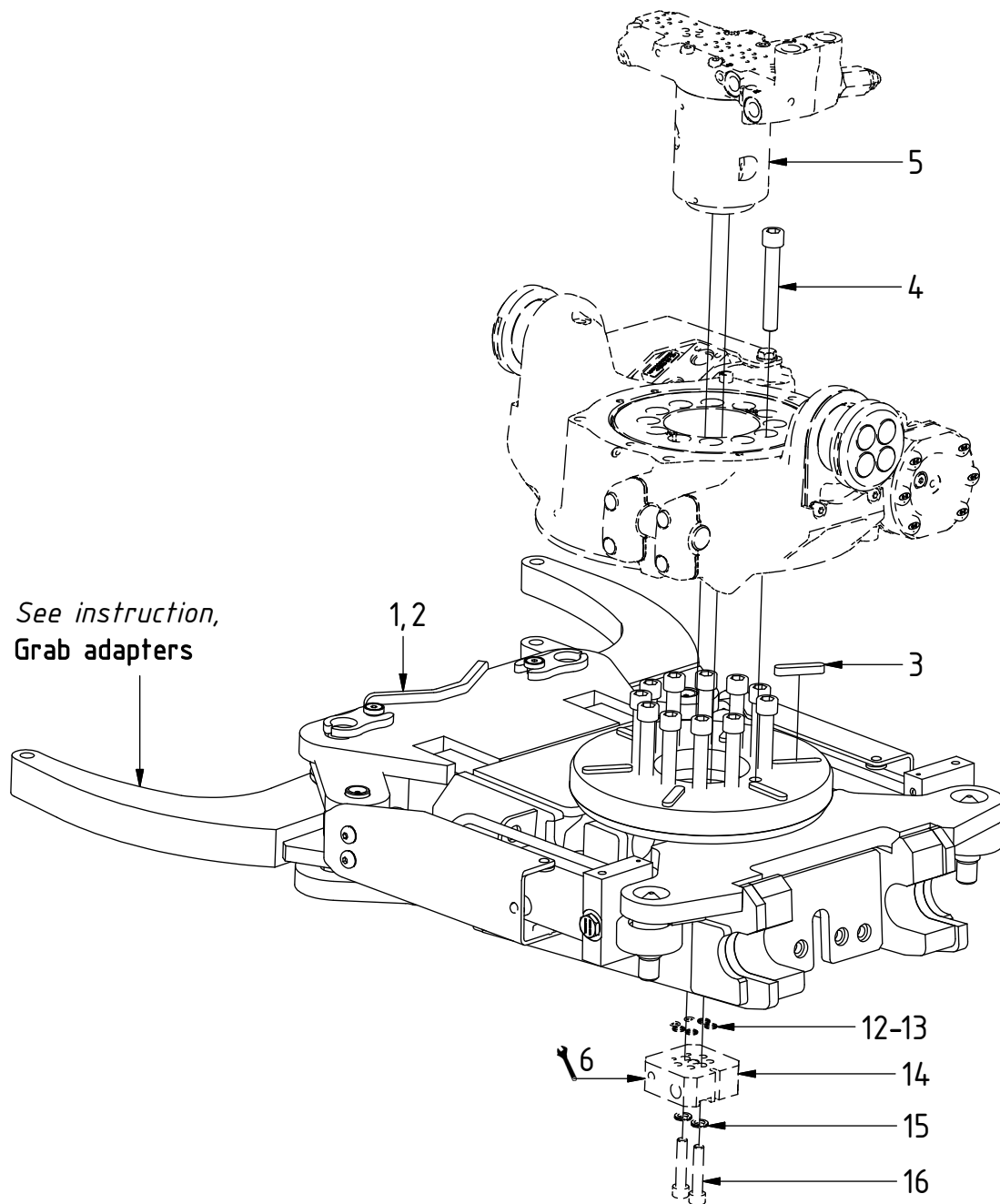
Briefly:

No planned changes.

Document changes:

Date:	Change:	Rev. after change:
2021-08-13	Screws updated to ZFSHL. Coversheet added.	B

EC206 - S45/S50 GR10



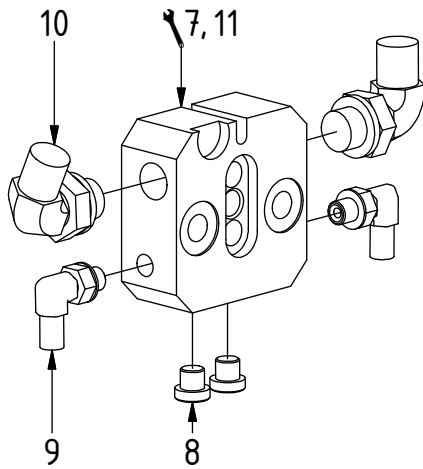
See instruction,
Grab adapters

POS	DESCRIPTION	PART	QTY	COMMENTS
1	Quick Hitch S45 GR10 Compl.	1026346	1	Grab adapter included
2	Quick Hitch S50 GR10 Compl.	1026347	1	Grab adapter included
3	Feather Key	650102	6	
4	MC6S M14x90 12.9 ZFSLH	6000158	12	Torque: 217Nm
5	Valve block & Swivel Complete	1026703	1	(POS.12-16 included) Part of control system See "Valve blocks & swivels"
6	See p.3 connection block config.			
12	O-ring 9,25x1,78	710901	4	
13	O-ring 6,1x1,6	710954	2	
14	Connection Block EC206	1016582	1	
15	Washer NL10	611041	2	
16	MC6S 10x50 12.9 Geomet ISO4762	611515	2	

EC206 - S45/S50 GR10

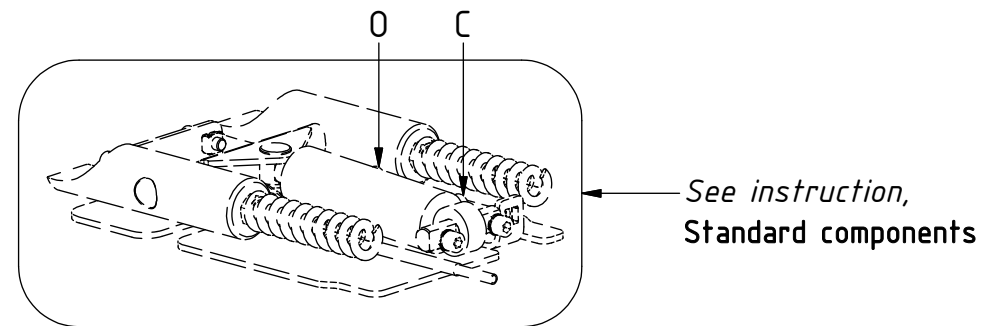
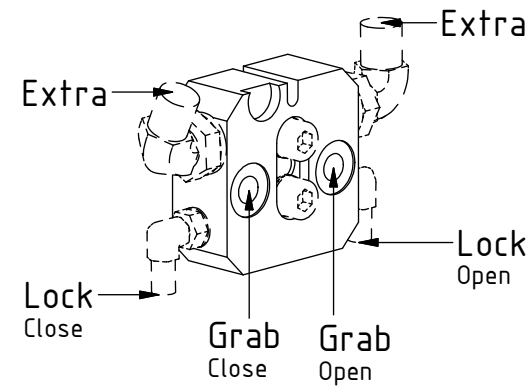
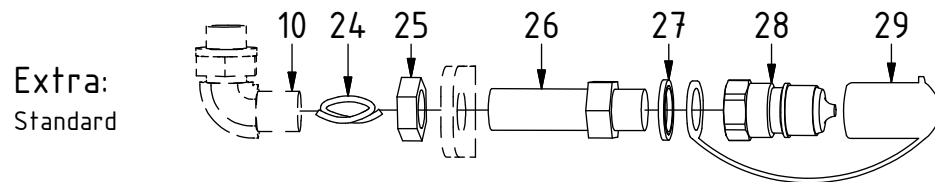
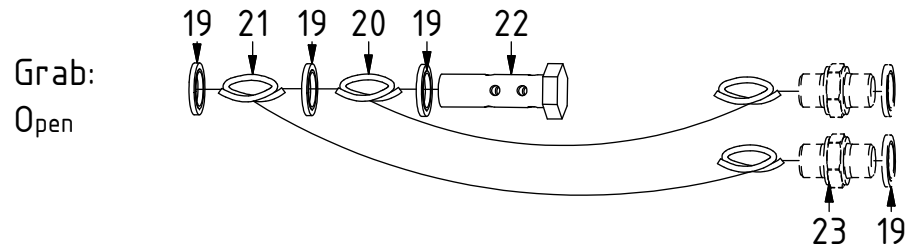
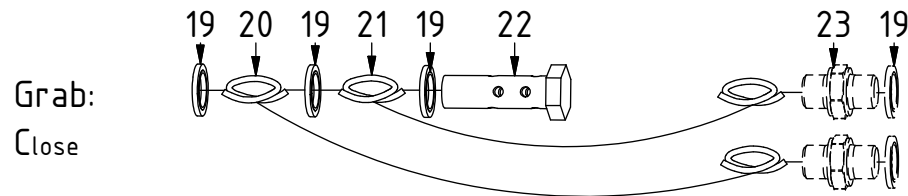
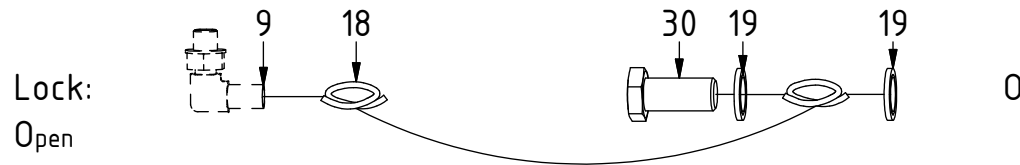
POS	DESCRIPTION	PART	QTY	COMMENTS
7	Disassemble connection block from swivel			
8	Plug Bsp 1/8"	711503	2	
9	Adapter 90° 1/8" male - Adj. male	710293	2	
10	Adapter 90° 3/8"	710152	2	
11	Reassemble connection block to swivel			

POS in order of assembly



EC206 - S45/S50 GR10

POS	DESCRIPTION	PART	QTY	COMMENTS
9	Adapter 90° 1/8" male - Adj. male	710293	2	
10	Adapter 90° 3/8"	710152	2	
17	Hose Lock Long	742909	1	
18	Hose Lock Short	742908	1	
19	Washer GBR04 1/4	710702	14	QTY: 4 part of Grab adapter
20	Hose Grab Short	742809	2	
21	Hose Grab Long	742919	2	
22	Banjobolt 1/4" Extended	712214	2	
23	Adapter 1/4"	710135	4	Part of Grab adapter
24	Hose Extra	742910	2	
25	Bulkhead adapter nut Bsp 3/8"	710252	2	
26	Bulkhead adapter	710262	2	
27	Washer GBR06 3/8	710703	2	
28	Quick coupling 3/8"	790113	2	
29	Dust protection	790120	2	
30	Banjobolt 1/4"	710271	2	



EC206 - S45/S50 GR10

POS	DESCRIPTION	PART	QTY	COMMENTS
17	Hose Lock Long	742909	1	
18	Hose Lock Short	742908	1	
20	Hose Grab Short	742809	2	
21	Hose Grab Long	742919	2	
24	Hose Extra	742910	2	

