

COVERSHEET

Planned document changes:

Briefly:

2025-10-01. POS.10 replaced by 1083142. (Fully backwards compatible).

Document changes:

Date:	Change:	Rev. after change:
2025-09-22	Clamp half updated.	L
2025-01-08	Spare parts updated. Photos updated.	K
2023-10-02	Details with the new plates added.	J
2023-09-26	New cover plate and small cover plate added.	I
2023-05-16	Screws updated to ZFSHL.	H
2021-03-09	Small cover plate replaced. Photos updated.	G
2020-08-24	Partslist item no corrected.	F
2020-04-01	Lock cylinder & hook replaced. Spare parts page added.	E
2019-10-16	Photo added.	D
2019-10-07	Layout/irrelevant.	C
2019-05-15	Layout/irrelevant.	B
2019-04-09	Adhesive to sensor details added.	A
2019-03-14	New document.	-

Readers note:

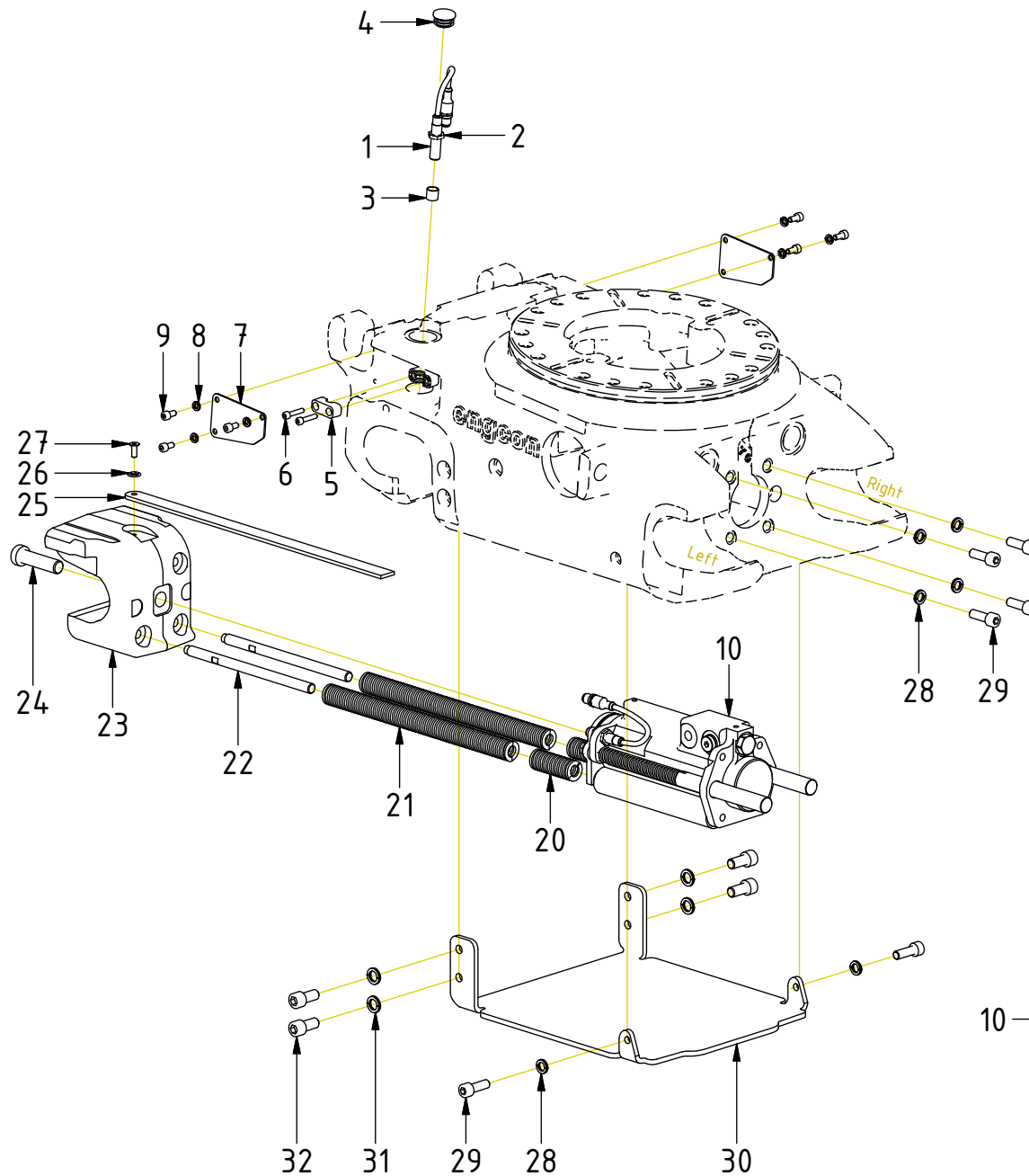
Indicates instruction.



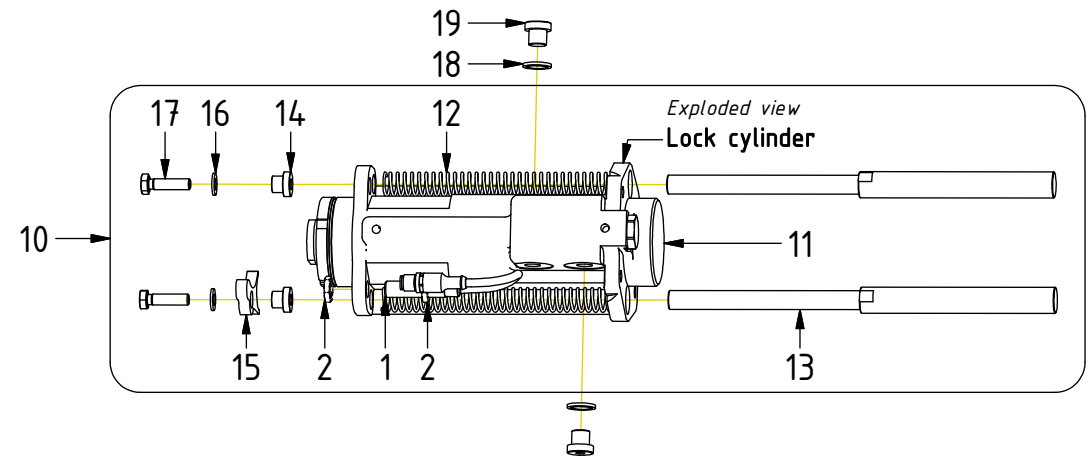
Represents Hose.

Dashed lines for overview, mounts
on other pages/assemblies.

Std. Hitch components - QSM60



EC214, EC219	POS	DESCRIPTION	PART	QTY	COMMENTS
	1	Inductive sensor QSM	1048262	2	Connect to slip ring QSM
	2	Hex nut			(Incl. with sensor)
	3	Protection lid, inductive sensor	8000056	1	
	4	Cover plug GL26	1068462	1	
	5	Clamp half M12 sensor	1063793	2	
	6	Screw MC6S M5x25 12.9	610402	2	
	7	Small cover plate QSM60 V3	1069623	2	
	8	Washer NL 6mm	611039	6	
	9	Screw MC6S M6x12 12.9 ZFSL	6000352	6	
	10	Lockcyl. QSM60 V4 Comp. Forged QSC	1052711	1	(POS.1, 11-17 incl.)
	11	Lock cylinder QS60 V4 Forged	1045379	1	
	12	Spring 16x175	1049973	2	
	13	Ejector	1036405	2	
	14	Spacer	1036406	2	
	15	Sensor Plate	1036413	1	Assemble with sligth play
	16	Flat Washer	611005	2	
	17	Screw M6S M8x30 8,8 FZB	611538	2	Loxeal 83-52
	18	Washer GBR04 1/4	710702	4	
	19	Plug 1/4"	711505	4	
	20	Spring 25x64	1024022	2	
	21	Spring 25x305	1024021	2	
	22	Steering	1025621	2	Loxeal 83-52
	23	Hook V2 QS60 Cast	1046654	1	
	24	Screw MLC6S M16x60 10.9	610721	1	Loxeal 83-52. Torque 136Nm
	25	Indicator pin QS, 605mm	1036201	1	Cut to fit
	26	Starlock 6mm	6000415	1	
	27	Screw MF6S M6x16 10.9 untreated	610604	1	Loxeal 83-52
	28	Washer NL 10mm	611041	6	QTY: 4 for EC-Oil
	29	Screw MC6S M10x30 12.9 ZFSL	612018	6	QTY: 4 for EC-Oil
	30	Cover plate QSM60 V2	1074015	1	No cover plate for EC-Oil
	31	Washer NL 12mm	611042	4	
	32	Screw MC6S M12x25 12.9 ZFSL	6000164	4	



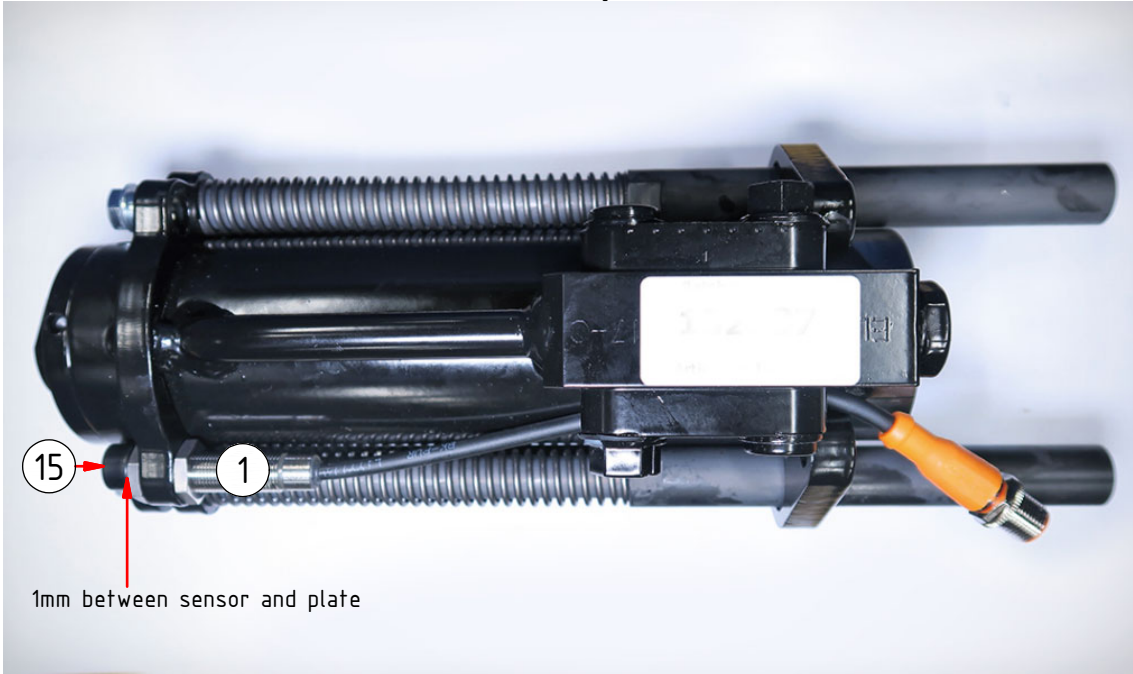
POS in order of assembly

Sensor Cylinder

EC214, EC219

POS	DESCRIPTION	PART	QTY	COMMENTS
1	Inductive sensor QSM	1048262	2	Connect to slip ring QSM
15	Sensor Plate	1036413	1	Assemble with sligth play
33	Rubber Steel Clamp Ø12	790155	1	
34	Screw MC6S 5x16 12.9	610401	1	Loxeal 55-02
●	Use cable ties			

POS in order of assembly

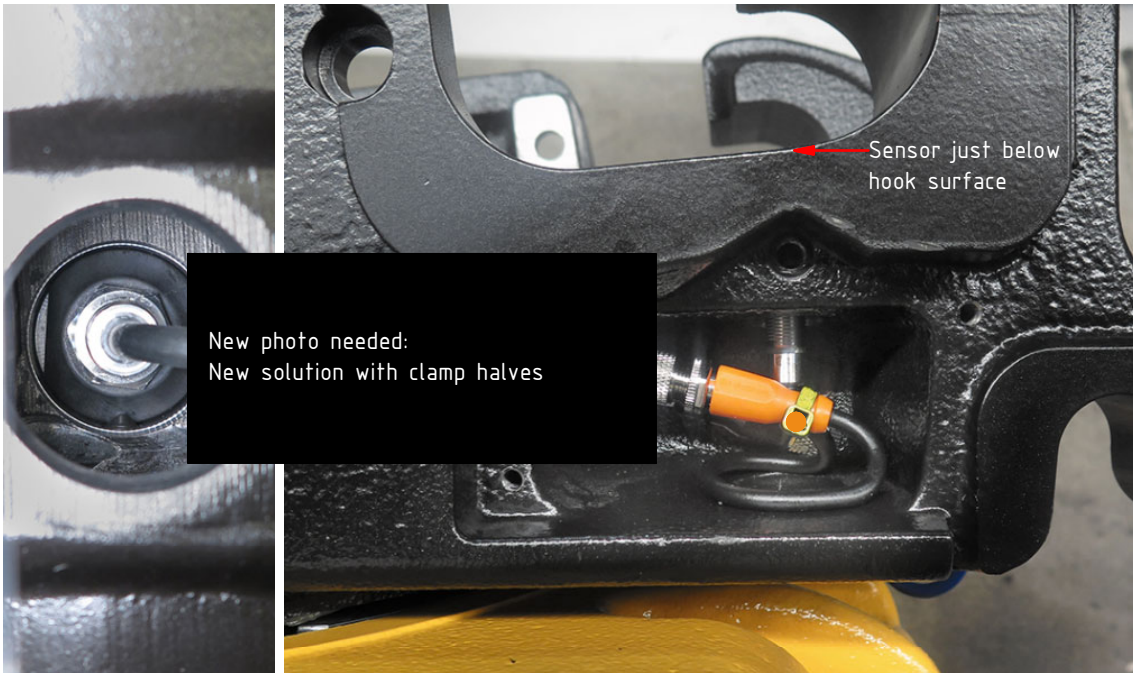


1mm between sensor and plate

ECO Cable



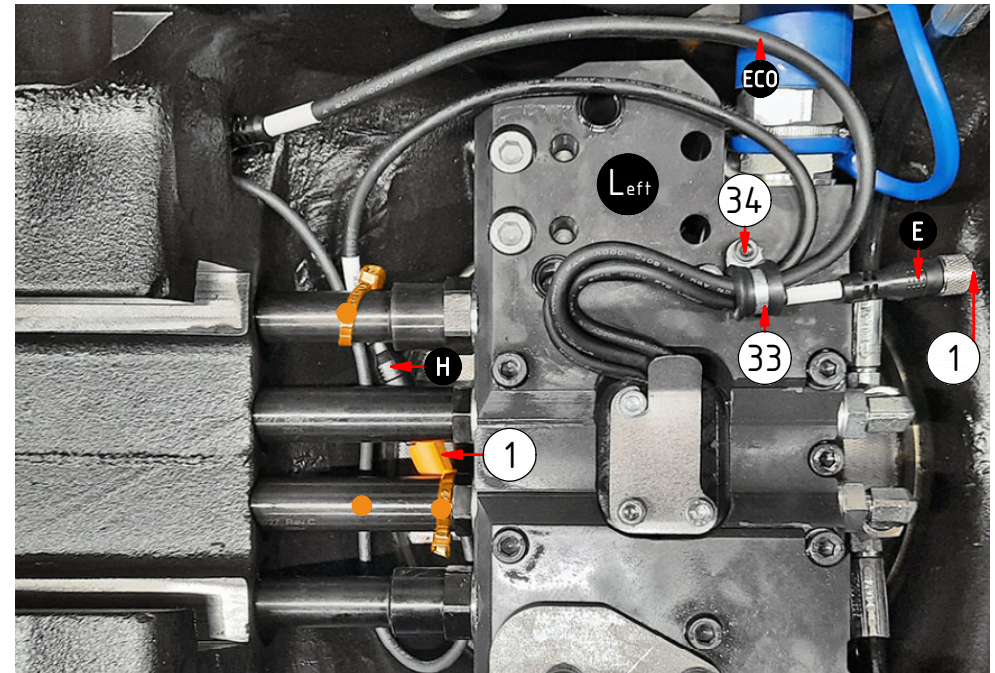
Sensor Hook



Sensor just below hook surface

New photo needed:
New solution with clamp halves

Sensor Cables

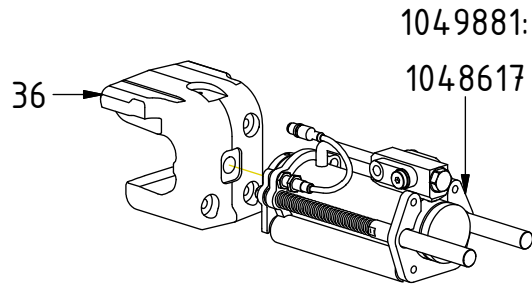


RELATED SPARE PARTS

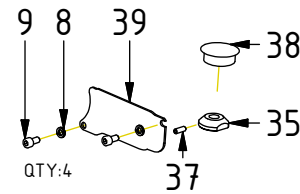
POS	DESCRIPTION	PART	QTY	COMMENTS
4	Cover plug GL26	1068462	1	
7	Small cover plate QSM60 V3	1069623	2	
8	Washer NL 6mm	611039	6	
9	Screw MC6S M6x12 12.9 ZFSL	6000352	6	
10	Lockcyl. QSM60 V4 Comp. Forged QSC	1052711	1	(POS.1, 11-17 incl.)
11	Lock cylinder QS60 V4 Forged	1045379	1	
23	Hook V2 QS60 Cast	1046654	1	
35	Position nut, inductive sensor	1029432	1	
36	Lock hook QS60 cast	1026154	1	Replaced by POS.23 from 2020-01
37	Set Screw M8x16	610808	1	
38	Cover plug QS/ECO	8000068	1	Replaced by POS.4
39	Small cover plate QSM60 V2	1058912	2	Replaced by POS.7
40	Small cover plate QSM60	1044173	2	Replaced by POS.39

POS in order of assembly

"V4 QSC" replaced by current version from 2020-01



Replaced on EC219 from 2023-10
Replaced on EC214 from 2024-12



Replaced on EC219 from 2020-06
Replaced on EC214 from 2020-09

