

Hitch ECO70 W

COVERSHEET

Planned document changes:

Briefly:

2025-11-21. POS.1 will be replaced by 1083084, POS.2 by 1083080.

2024-11-15. Add to POS.20 & 29: Torque: 333Nm.

Document changes:

Date:	Change:	Rev. after change:
2024-03-22	Screws updated to ZFSHL.	H
2022-06-13	QSM Screw length updated.	G
2020-03-27	Couplings replaced. Spare parts added.	F
2019-11-20	Layout/irrelevant.	E
2019-09-25	QSM added.	D
2019-01-28	Powerplug for option 1 el. replaced.	C
2018-06-21	Layout/irrelevant.	B
2018-02-04	New document.	-

Readers note:

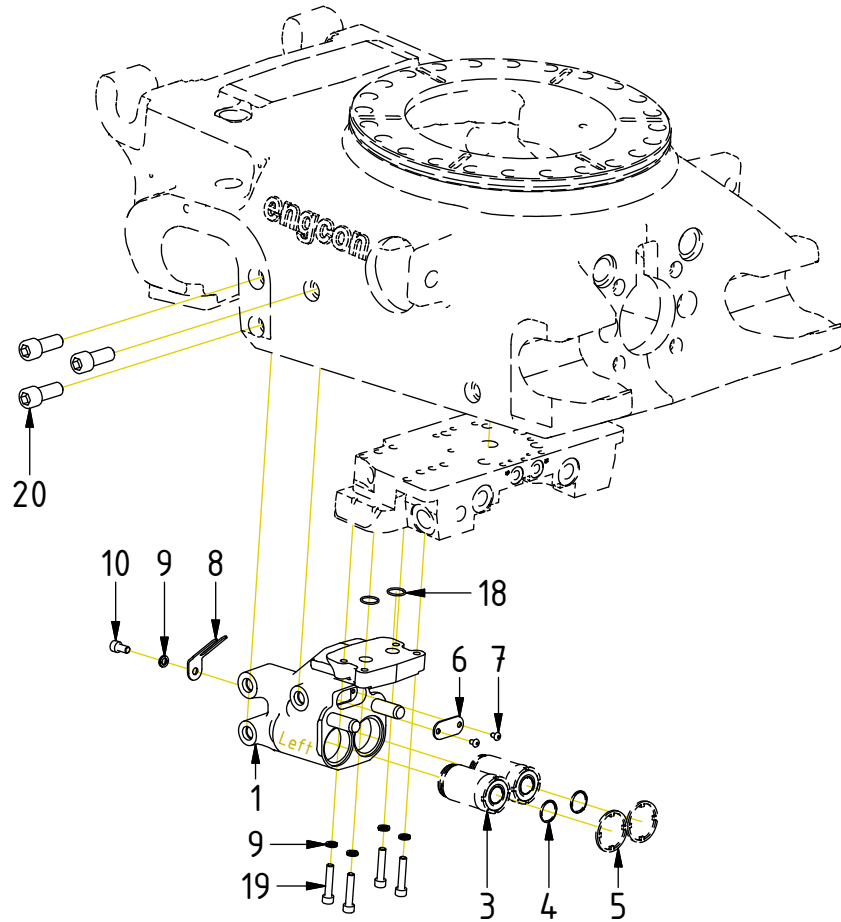
Indicates instruction.



Represents Hose.

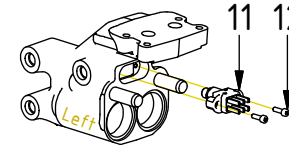
Dashed lines for overview, mounts
on other pages/assemblies.

QSM70

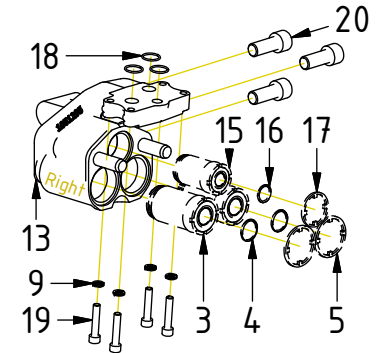


POS	DESCRIPTION	PART	QTY	COMMENTS
1	Block ECO70W QSM 2hy. Left Compl.	1055738	1	(POS.2-3, 5 incl.)
2	Block ECO70 W Hitch QSM Left	1049274	1	
3	Coupling ECO W 3/4" V3	1050579	2	Torque: 60Nm. (POS.4 incl.)
4	Flat sealing for ECO W 3/4" V3	1050580	2	
5	Dirt protection ECO 3/4"	1028275	2	
6	Cover plate	1049191	1	
7	Screw K6S M5x8 10.9 FZB	611801	2	
8	Cover plate cable ECO70 W QSM	1051585	1	
9	Washer NL 8mm	611040	5	QTY: 4 on right block
10	Screw MC6S M8x16 12.9 ZFSLH	610432	1	
11	Power Plug ECO70 W QSM	1050792	1	Connect to slip ring QSM
12	Screw MC6S M5x16 12.9	610401	2	Loxal 55-02
13	Block ECO70W QSM 3hy. Right Compl.	1055739	1	(POS.3, 5, 14-15, 17 incl.)
14	Block ECO70 W Hitch QSM Right	1051314	1	
15	Coupling ECO W 1/2" V3	1054580	1	Torque: 60Nm. (POS.16 incl.)
16	Flat sealing for ECO W 1/2" V3	1050018	1	
17	Dirt protection ECO 1/2"	1028229	1	
18	O-ring 18.77x1.78 N/90	710981	2	QTY: 3 on right block
19	Screw MC6S M8x40 12.9 ZFSLH	6000145	4	Torque: 40Nm
20	Screw MC6S M16x40 12.9	610519	3	Loxal 83-52

Option 1 el:



Option 2 bl:

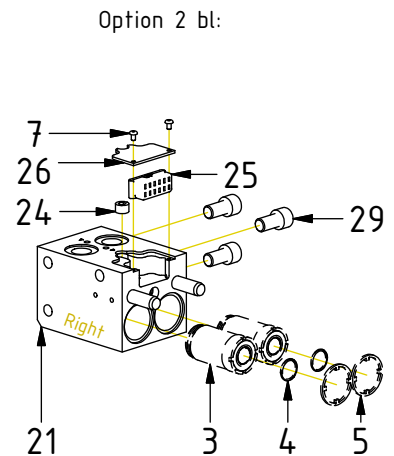
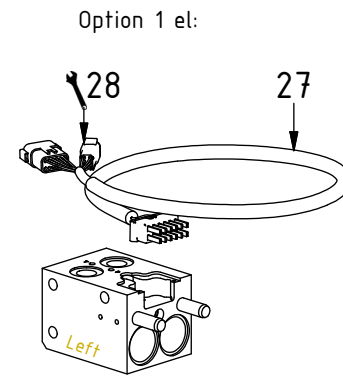
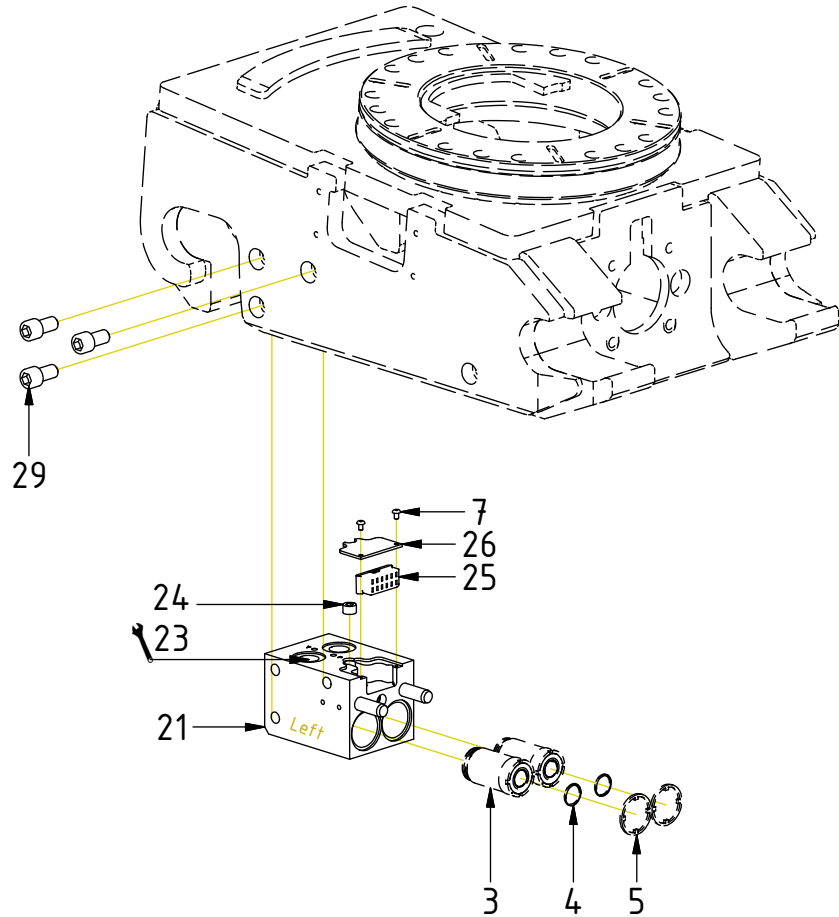


POS in order of assembly

QS70

POS	DESCRIPTION	PART	QTY	COMMENTS
3	Coupling ECO W 3/4" V3	1050579	2	Torque: 60Nm. (POS.4 incl.)
4	Flat sealing for ECO W 3/4" V3	1050580	2	
5	Dirt protection ECO 3/4"	1028275	2	
7	Screw K6S M5x8 10.9 FZB	611801	2	
21	Block ECO70 W 2hy. Complete	1055719	1	(POS.3, 5, 22 incl.)
22	Block ECO70 W Hitch	1042478	1	
23	Adapters according to Quick hitch			See "Quick hitch"
24	Pipe plug DIN 906 M16x1,5	711529	1	
25	Plug ECO W - Hitch	1041814	1	
26	Coverplate block ECO60/70 W Hitch	1041139	1	
27	Power plug ECO W DTM	1042243	1	Cable gland torque: 6Nm
28	6P, connect to slip ring			See "Slip rings" (additional cables)
29	Screw MC6S M16x30 12.9 ZFSHL	6000201	3	Loxéal 83-52

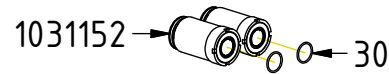
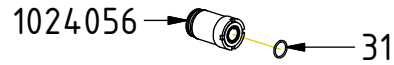
POS in order of assembly



SPARE PARTS

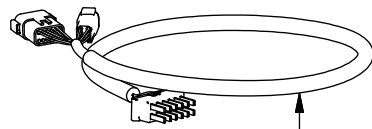
POS	DESCRIPTION	PART	QTY	COMMENTS
3	Coupling ECO W 3/4" V3	1050579	2	Torque: 60Nm. (POS.4 incl.)
4	Flat sealing for ECO W 3/4" V3	1050580	2	
15	Coupling ECO W 1/2" V3	1054580	1	Torque: 60Nm. (POS.16 incl.)
16	Flat sealing for ECO W 1/2" V3	1050018	1	
27	Power plug ECO W DTM	1042243	1	Cable gland torque: 6Nm
30	O-ring 21.95x1.78	1024735	2	Used until 2020-03 Seperate seal kit: 7000047
31	O-ring 17.17x1.78	710913	1	Used until 2020-03 Seperate seal kit: 7000046

POS in order of assembly



O-rings between versions
are not compatible

QS:



1042242

Replaced by POS.27
from 2019-01