

COVERSHEET

Planned document changes:


Briefly:

No planned changes.

Document changes:

Date:	Change:	Rev. after change:
2026-04-24	Layout/irrelevant.	A
2026-02-10	New document.	-

Readers note:

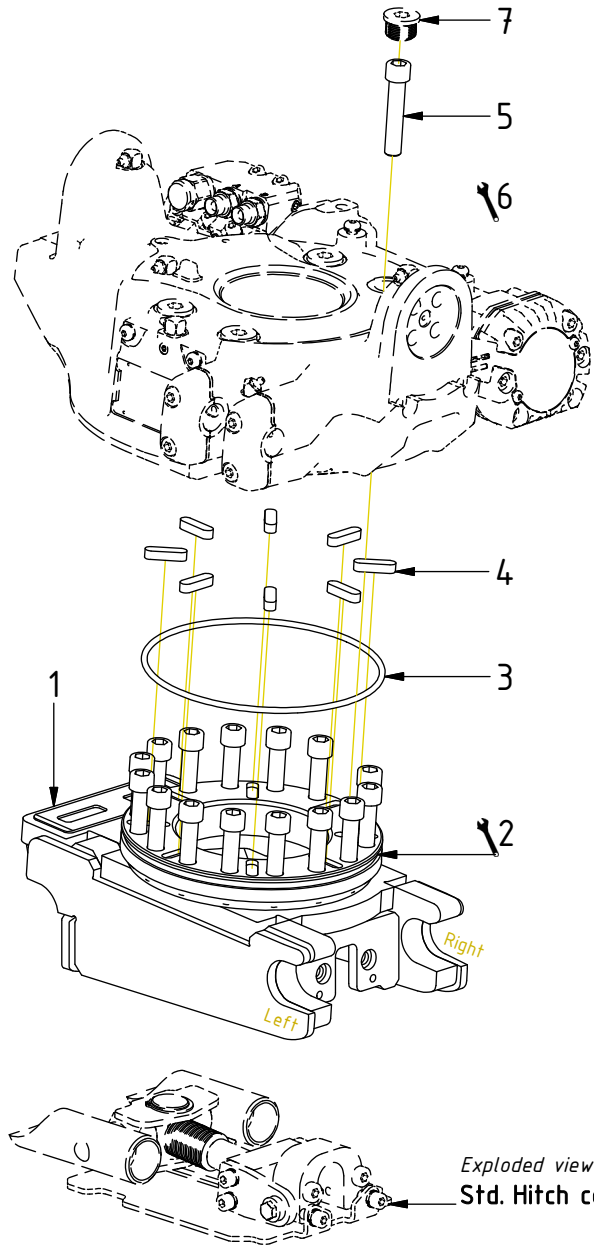
 Indicates instruction.

 Represents Hose.

Dashed lines for overview, mounts
on other pages/assemblies.

EC206BU - Hitch S40M

POS	DESCRIPTION	PART	QTY	COMMENTS
1	Quick hitch S40M EC206BU	1083065	1	
2	Grease the ring			
3	O-ring 200x5 NBR70	7001665	1	
4	Feather Key 10x8x36	6000370	8	
5	Screw MC6S M14x70 12.9	6000172	16	Torque: 217Nm
6	Torque tighten rotator frame to hitch. Rotate to access all holes			
7	Pipe plug M26x1,5Din 908 FZB	650409	4	Part of rotator frame assy.



POS in order of assembly

POS	DESCRIPTION	PART	QTY	COMMENTS
-----	-------------	------	-----	----------

POS in order of assembly

