

COVERSHEET

Planned document changes:

Briefly:


2026-06-04. One of POS.27 replaced by 6000157 (8x20), so to not conflict with adapter for "C" on cylinder. Add to both screws: Torque 40Nm.


2025-03-10. Add to POS.22: Torque 10Nm.

Document changes:

Date:	Change:	Rev. after change:
2025-02-11	Machine hitch added.	B
2023-04-25	Screw for lock cylinder updated.	A
2022-11-09	New document.	-

Readers note:

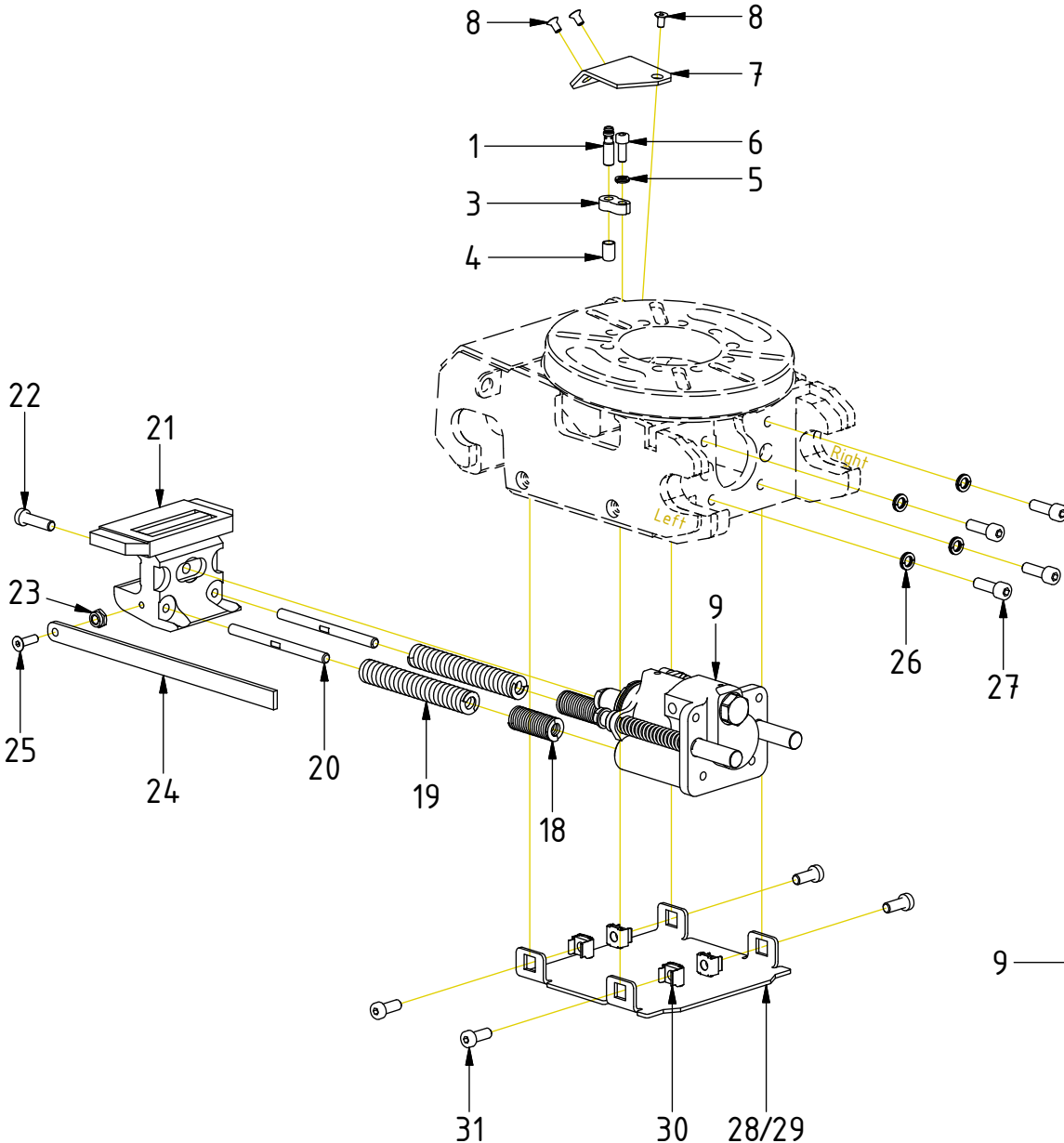
 Indicates instruction.

 Represents Hose.

Dashed lines for overview, mounts
on other pages/assemblies.

Std. Hitch components - S30S

EC02B, Machine hitch



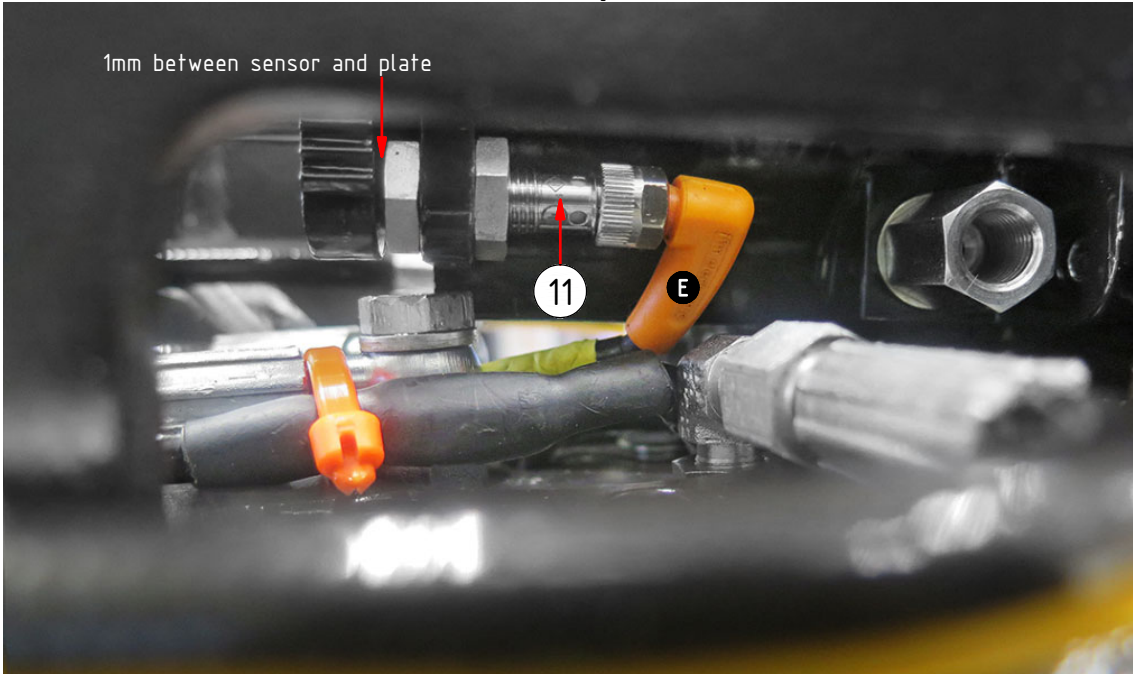
POS	DESCRIPTION	PART	QTY	COMMENTS
1	Inductive sensor M8 IES217 (Hook)	8001584	1	EC: to slip ring. Machine: to QS cable
2	Hex nut			(Incl. with sensor)
3	Holder sensor	1067110	1	
4	Protection lid, inductive sensor	8001849	1	
5	Washer NL 6mm	611039	1	
6	Screw MC6S M6x16 12.9 ZFSHL	6000017	1	
7	Small cover plate S30S	1063398	1	
8	Screw MF6S M5x10H 10.9 FZB	610602	3	
9	Lock cylinder S30S Complete	1063622	1	(POS.10-17 incl.)
10	Lock cylinder S30S	1063621	1	
11	Inductive sensor M8 IES215 (Cylinder)	8001583	1	EC: to slip ring. Machine: to QS cable
12	Spring lock cyl. S30S	1063707	2	
13	Ejector S30S	1062562	2	
14	Spacer	1056860	2	
15	Sensor plate	1062565	1	Assemble with slight play
16	Washer BRB 8,4x16x1,6	611005	2	
17	Screw M6S M8x25 8,8 FZB	610124	2	Loxéal 83-52
18	Spring-B20-044-A-Tooling	6000376	2	
19	Spring 20x115	640113	2	
20	Steering	1063414	2	Loxéal 83-52
21	Hook S30S	1063393	1	
22	Screw MLC6S M8x30 10.9	6000378	1	Loxéal 83-52
23	Lock Nut M6M M8x1,25 8,8 FZB	610922	1	
24	Indicator pin S30S	1063498	1	
25	Screw MF6S M6x20 10.9 FZB	6000113	1	
26	Washer NL 8mm	611040	4	
27	Screw MC6S M8x25 12.9 ZFSHL	6000143	4	
28	Cover plate S30S	1063412	1	
29	Cover plate Machine hitch	1080795	1	
30	Cage Nut M8 C	610959	4	
31	Screw MLC6S M8x20 8,8 FZB	610711	4	Loxéal 83-52

POS in order of assembly

Sensor Cylinder

POS	DESCRIPTION	PART	QTY	COMMENTS
1	Inductive sensor M8 IES217 (Hook)	8001584	1	EC: to slip ring. Machine: to QS cable
11	Inductive sensor M8 IES215 (Cylinder)	8001583	1	EC: to slip ring. Machine: to QS cable
● Use cable ties				

POS in order of assembly



Sensor Hook

