

COVERSHEET

Planned document changes:

Briefly:


2025-12-11. Use POS.5 instead of POS.10 on machine hitch.


2025-06-02. POS.4 replaced by 1063793 (fully backwards compatible).

Document changes:

Date:	Change:	Rev. after change:
2025-02-04	New document.	-

Readers note:

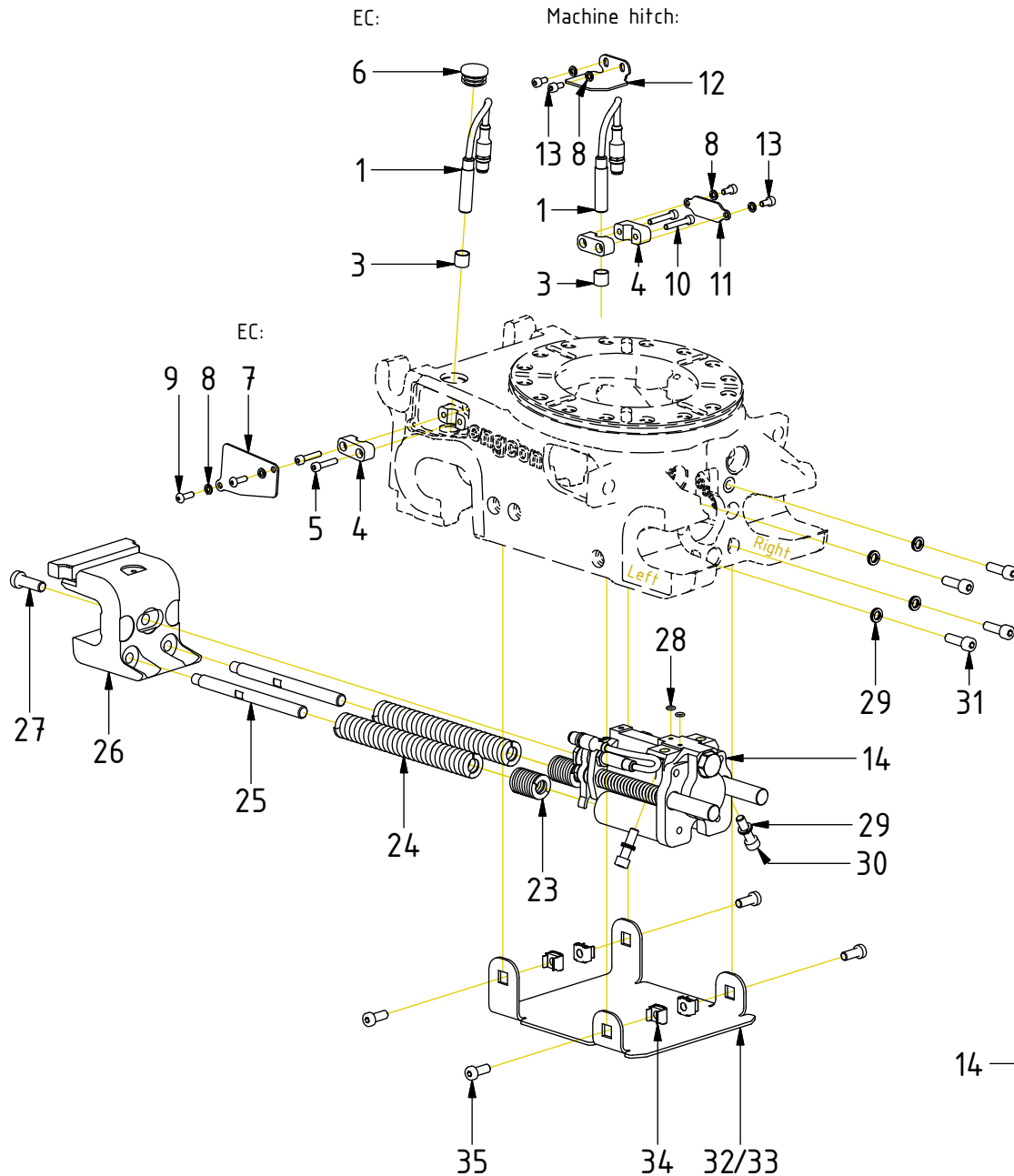
 Indicates instruction.

 Represents Hose.

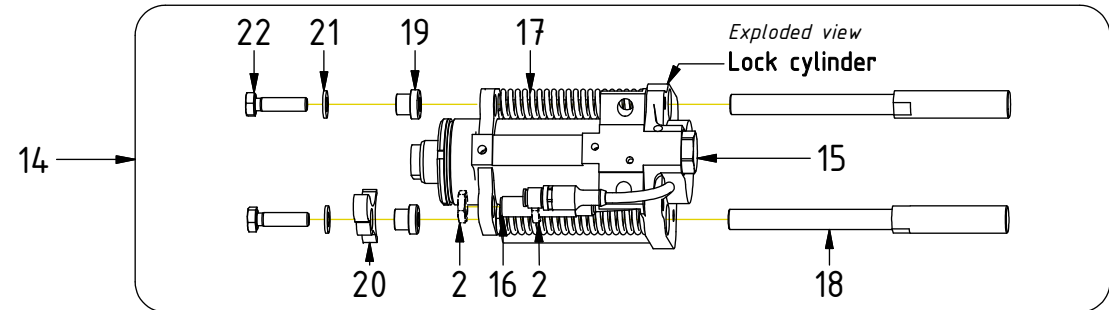
Dashed lines for overview, mounts
on other pages/assemblies.

Std. Hitch components - S40

POS in order of assembly

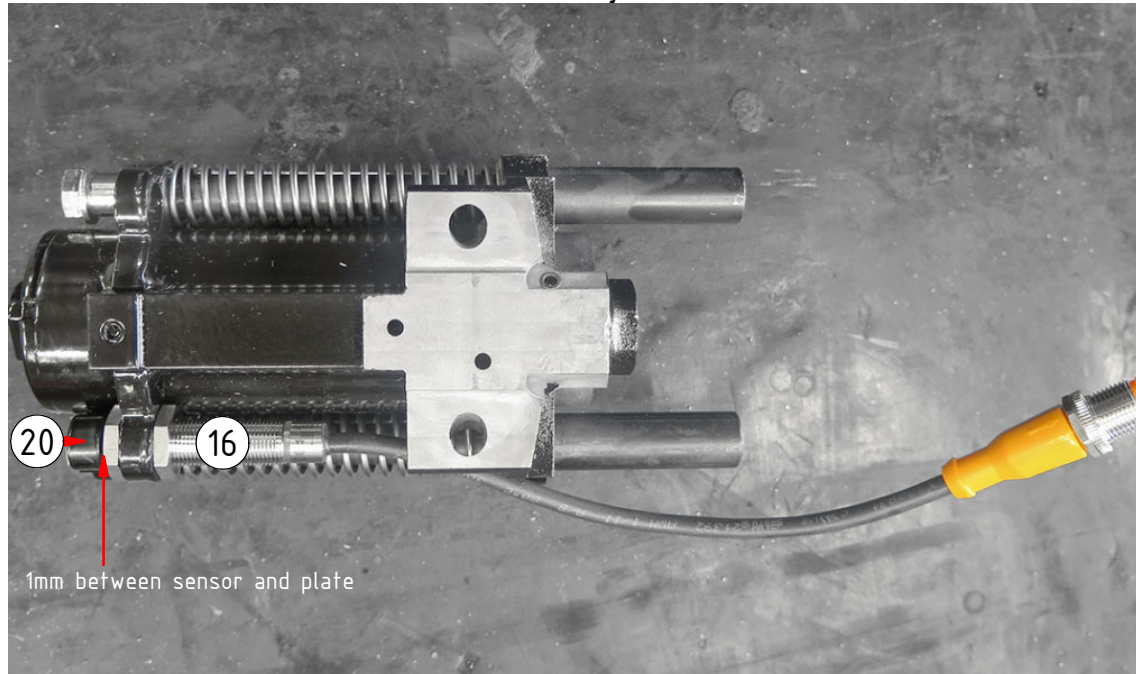


POS	DESCRIPTION	PART	QTY	COMMENTS
1	Inductive sensor QSM (hook)	8001527	1	EC: to slip ring. Machine: to Y-split
2	Hex nut		1	(Incl. with sensors)
3	Protection lid, inductive sensor	8000056	1	
4	Clamp half M12 sensor	1065219	2	
5	Screw MC6S M5x25 12.9	610402	2	
6	Cover plug GL26	1068462	1	
7	Small cover plate QSM40	1063796	2	
8	Washer NL 5mm	611038	4	
9	Screw K6S M5x16 10.9 FZB	611818	4	
10	Screw MC6S M5x30 12.9	610403	2	
11	Sensor cover Machine hitch	1077504	1	
12	Small cover Machine hitch	1080060	1	
13	Screw MC6S M5x10 8,8 FZB	6000312	4	
14	Lock cylinder QSM40 Compl. QSC	1068367	1	(POS.15-22 incl.)
15	Lock cylinder QSM40	1063791	1	
16	Inductive sensor QSM (cylinder)	1048262	1	EC: to slip ring. Machine: to Y-split
17	Spring 16x104	1024020	2	
18	Ejector	1055938	2	
19	Spacer	1056860	2	
20	Sensor plate	1056857	1	Assemble with slight play
21	Flat Washer	611005	2	
22	Screw M6S M8x30 8,8 FZB	611538	2	Loxéal 83-52
23	Spring 25x32	1025483	2	
24	Spring 25/12,5-178	640112	2	
25	Steering	1056869	2	Loxéal 83-52
26	Hook QSM40	1065434	1	
27	Screw MLC6S M10x30 10.9	610712	1	Loxéal 83-52. Torque: 40Nm
28	O-ring 5,28x1,78	7001568	2	
29	Washer NL 8mm	611040	6	
30	Screw MC6S M8x30 12.9 ZFSHL	611519	2	Torque: 40Nm
31	Screw MC6S M8x25 12.9 ZFSHL	6000143	4	Torque: 40Nm
32	Cover plate QSM40	1064036	1	No cover plate for EC-Oil
33	Cover plate Machine hitch	1056928	1	No cover plate for EC-Oil
34	Cage Nut M8 C	610959	4	
35	Screw MLC6S M8x20 8,8 FZB	610711	4	Loxéal 83-52



Sensor Cylinder

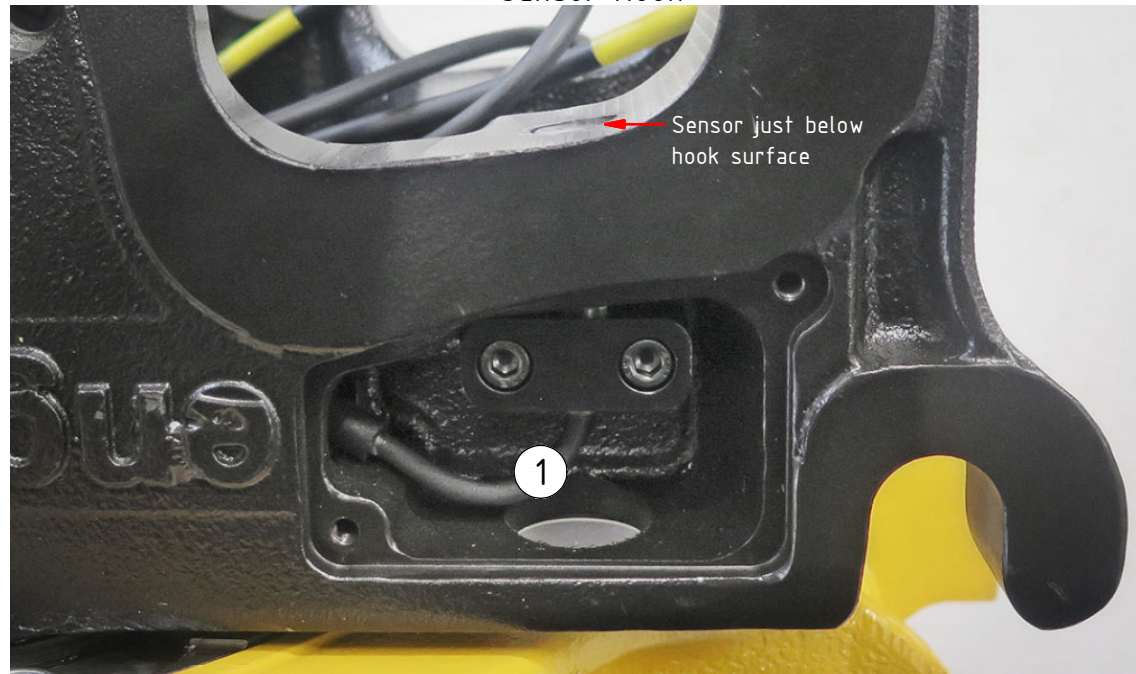
EC3, Machine hitch



POS	DESCRIPTION	PART	QTY	COMMENTS
1	Inductive sensor QSM (hook)	8001527	1	EC: to slip ring. Machine: to Y-split
16	Inductive sensor QSM (cylinder)	1048262	1	EC: to slip ring. Machine: to Y-split
20	Sensor plate	1056857	1	Assemble with slight play
36	In machine hitch sensors positions varies per control system			See "Machine hitch" for photos
	● Use cable ties			

POS in order of assembly

Sensor Hook



36

Sensor Cables EC

