

COVERSHEET

Planned document changes:

Briefly:

No planned changes.

Document changes:

Date:	Change:	Rev. after change:
2026-05-08	Tilt hoses replaced.	F
2025-05-09	P adapter updated.	E
2025-01-07	Overcentre valves updated.	D
2024-02-29	Photo added.	C
2024-02-21	Seal included in top part.	B
2024-02-09	Cylinders updated.	A
2023-05-11	New document.	-

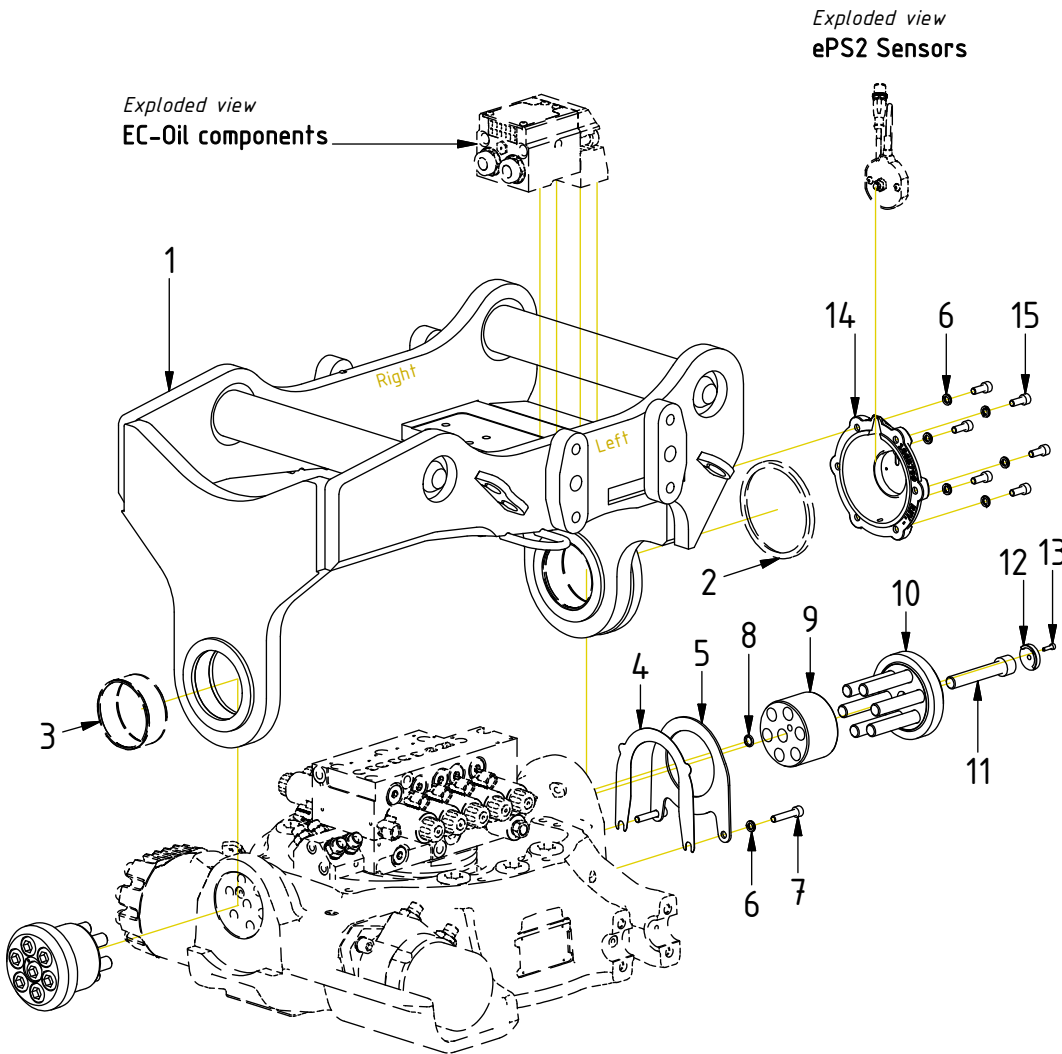
Readers note:

Indicates instruction.



Represents Hose.

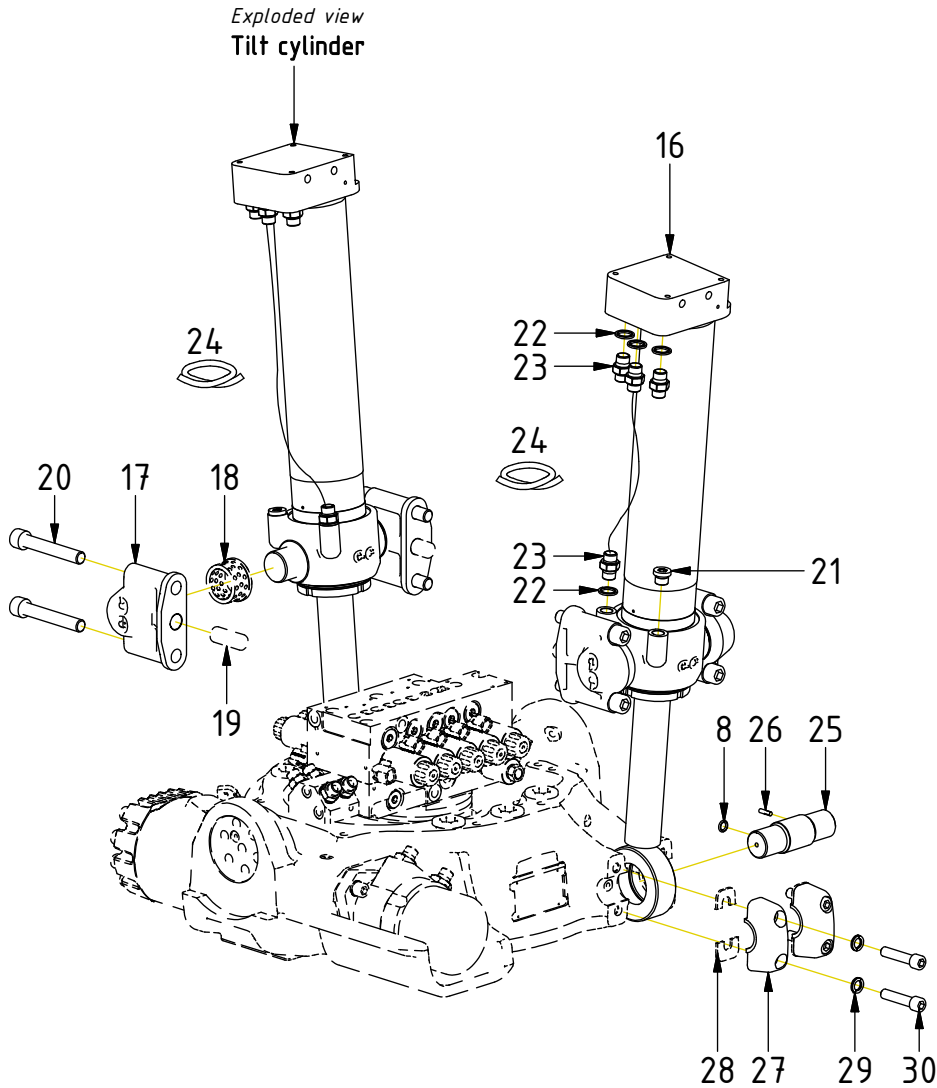
Dashed lines for overview, mounts
on other pages/assemblies.



POS	DESCRIPTION	PART	QTY	COMMENTS
1	Top part QS60/S60 EC219/EC319	1064197	1	(POS.2-3 incl.)
2	Seal PAK-110x125x7-L	1064201	2	Face groove toward top part
3	Bushing Ø85/90x35 WB802	630321	2	
4	Shim tilt axle	1016420	1	Use as required
5	Tilt axial washer	1016417	1	
6	Washer NL 8mm	611040	16	
7	Screw MC6S M8x40 12.9 ZFSHL	6000145	2	
8	O-ring 9,92x2,62	710968	4	
9	Tilt shaft EC219/EC319	1080804	2	
10	Tilt shaft flange EC219/EC319	1080805	2	
11	Screw MC6S M16x90 12.9 ZFSHL	6000151	14	Torque: 333Nm
12	Magnet spacer tilt axle	1064202	1	
13	Screw MC6S M4x14 8,8 FZB	610420	1	
14	Cover tiltaxle EC219/EC319 Cast	1065799	1	
15	Screw MC6S M8x20 12.9 ZFSHL	6000157	6	

POS in order of assembly

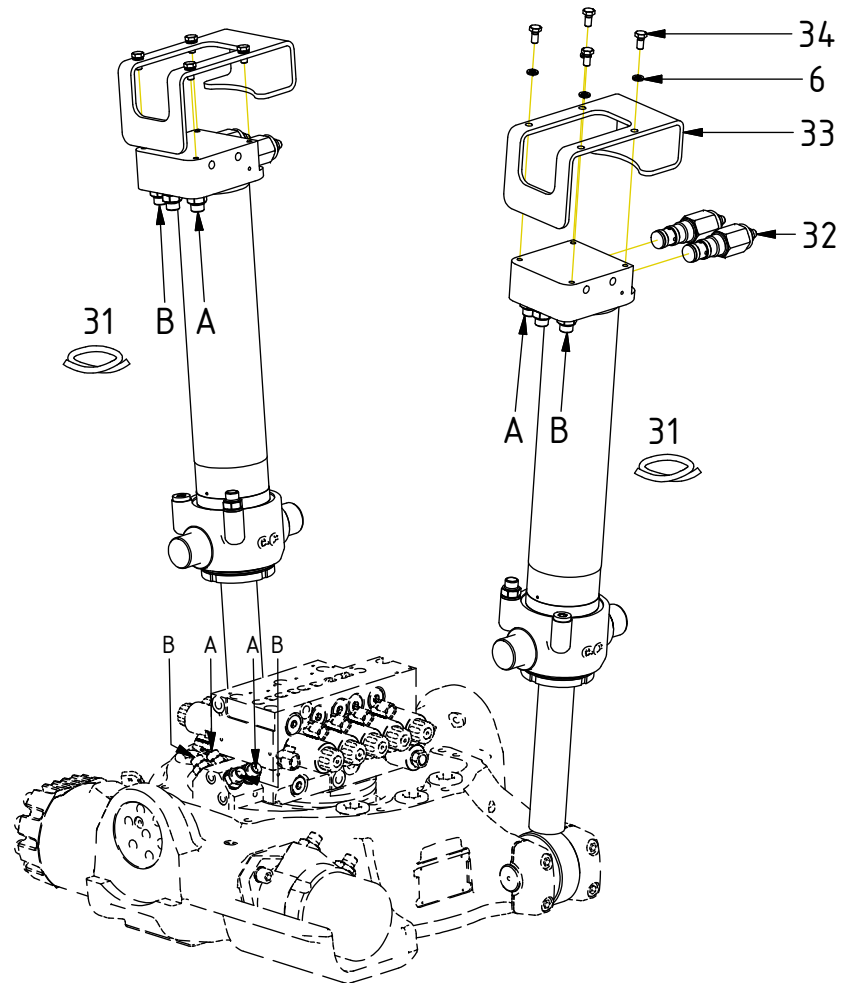
POS	DESCRIPTION	PART	QTY	COMMENTS
8	O-ring 9,92x2,62	710968	4	
16	Tilt cylinder EC219/EC319	1070275	2	
17	Yoke cast lube free Complete	1017151	4	(POS.18-19 incl.)
18	Bushing 40/50/55/5-30	631001	4	
19	Cylindrical pin $\varnothing 20 \times 50$	650211	4	
20	Screw MC6S M16x100 12.9 ZFSHL	6000156	8	Torque: 333Nm
21	Plug 70125-06 (3/8")	711504	2	
22	Washer GBR06 3/8	710703	8	
23	Adapter 136-06-06 (3/8")	710106	8	
24	Hose Tilt Short	742606	2	
25	Cylinder axle $\varnothing 40$	1016398	2	
26	Slotted pin 5x20	640413	2	
27	Clamping half Complete	1016393	4	(POS.28 incl.)
28	Rubber spacer clamping half	1016439	4	
29	Washer NL 12mm	611042	10	
30	Screw MC6S M12x55 12.9 ZFSHL	6000155	8	Torque: 136Nm



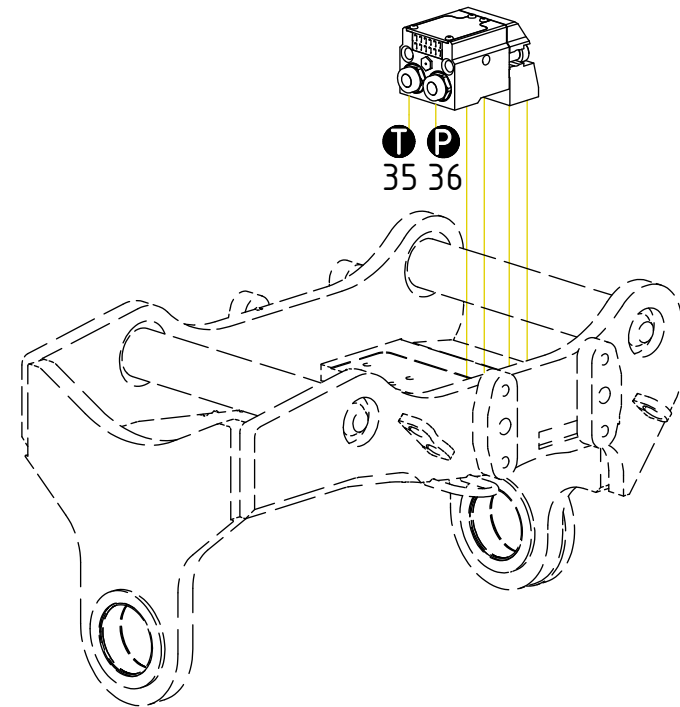
POS in order of assembly

TILT

POS	DESCRIPTION	PART	QTY	COMMENTS
6	Washer NL 8mm	611040	16	
31	Hose Tilt Long	7002162	4	
32	Overcentre valve 10:1	7002024	4	Torque: 60Nm
33	Hose protection Tiltcylinder	1014280	2	
34	Screw M6S M8x16 8,8 FZB	610122	8	
35	Adapter 401-12-08 90° (3/4"-1/2")	7000537	1	
36	Adapter 401-08-08 90° (716-08)	7002062	1	

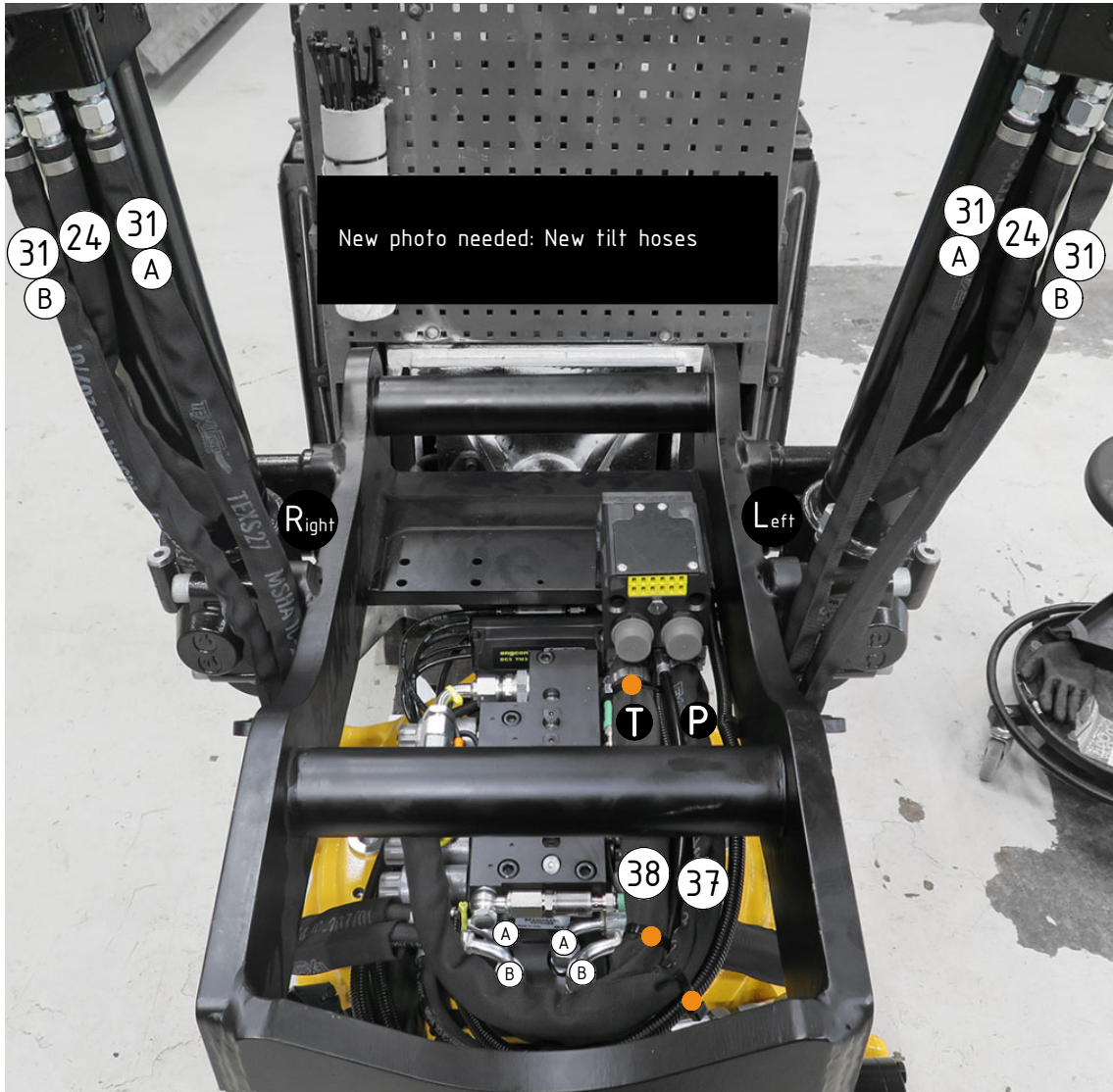


FEED



POS	DESCRIPTION	PART	QTY	COMMENTS
24	Hose Tilt Short	742606	2	
31	Hose Tilt Long	7002162	4	
37	Hose Feed ECO P	7001803	1	Part of control system
38	Hose Feed ECO T	7001804	1	Part of control system
●	Use cable ties			

POS in order of assembly



RELATED SPARE PARTS

POS	DESCRIPTION	PART	QTY	COMMENTS
31	Hose Tilt Long	7002162	4	
39	Hose Tilt Long	7000027	4	Replaed by POS.31 from 2026-05

POS in order of assembly

Replaced from 2026-05

