

COVERSHEET


Planned document changes:

Briefly:

 No planned changes.

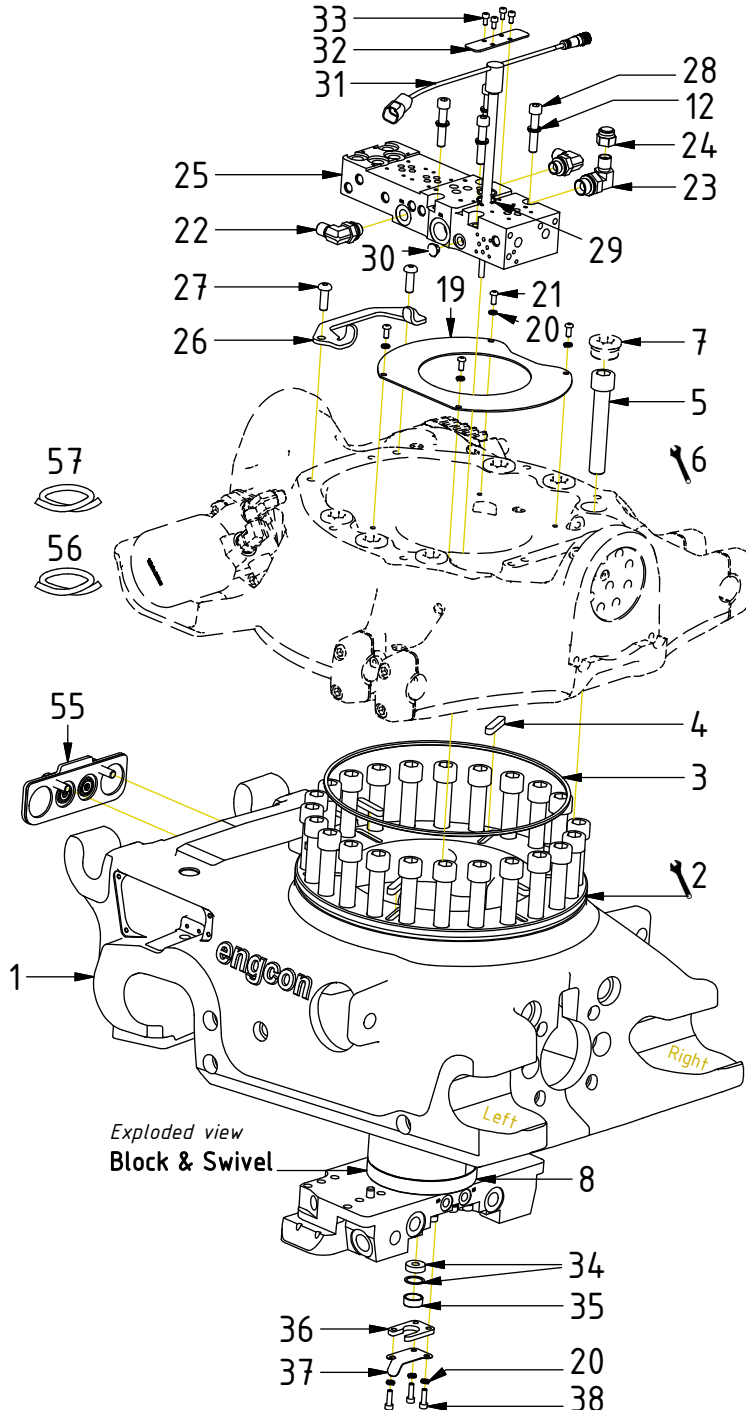
Document changes:

Date:	Change:	Rev. after change:
2026-04-30	Quick hitch updated.	M
2023-11-29	Valve block screws must be tightened in cross pattern.	L
2022-02-17	Details for lock hoses updated.	K
2021-03-10	Quick hitch updated.	J
2020-12-17	Screw quality updated.	I
2020-06-29	Visual error corrected.	H
2020-05-27	Adapter extension for Extra (rear) updated.	G
2020-03-05	Solution for Extra 2 (Q) on QSM updated.	F
2020-02-21	Silicone to slip ring added.	E
2019-12-20	QSM-Q couplings replaced. Spare parts added.	D
2019-10-14	Screw quality updated. Photos updated.	C
2019-08-28	Hose Lock updated.	B
2019-06-20	Part no for connection block with swivel corrected.	A
2019-05-13	New document.	-

Readers note:
 Indicates instruction.

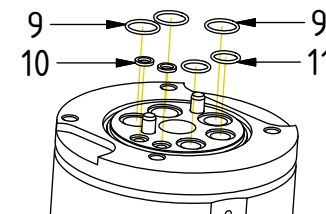
 Represents Hose.

Dashed lines for overview, mounts
on other pages/assemblies.

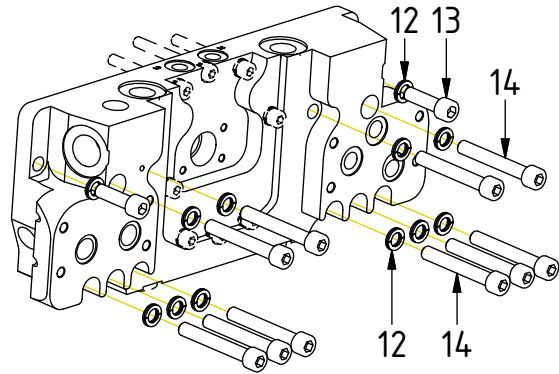


POS	DESCRIPTION	PART	QTY	COMMENTS
1	Quick hitch QSM70 V4 EC226 cast	1074114	1	
2	Grease the ring			
3	O-ring 319,3x5,7	710908	1	
4	Feather Key	650102	6	
5	Screw MC6S M20x120 12.9	610558	24	Torque: 649Nm
6	Torque tighten rotator frame to hitch. Rotate to access all holes			
7	Pipe plug M36x2	650408	6	Part of rotator frame
8	Connect. block & swivel QSM Compl.	1052682	1	
9	O-ring 17.17x1.78	710977	3	
10	O-ring 7,66x1,68 square	7000579	2	
11	O-ring 14x1,78	710975	2	
12	Washer NL 10mm	611041	16	
19	Plate swivel EC226 QSM	1052680	1	
20	Washer NL 6mm	611039	7	
21	Screw K6S M6x14 10.9 FZB	6000242	4	
22	Adapter 401-06-06 90° (3/8")	710152	2	Assemble before valve block
23	Adapter 401-06-08 90° (3/8"-1/2")	710157	1	Assemble before valve block
24	Protective Bonnet 155-06 (3/8")	711626	1	
25	Valve Block QSM	1049297	1	
26	Swivel stop QSM EC219/EC226	1045935	1	
27	Screw K6S M10x30 10.9 FZB	6000193	2	Loxéal 83-52
28	Screw MC6S M10x55 12.9 ZFSHL	612022	4	Torque: 79Nm Tighten in cross pattern
29	O-ring NBR 70	710983	2	(Incl. with valve block)
30	Plastic plug KS 15 G 1/4"	7001983	1	(Incl. with valve block)
31	Slip ring QSM70 M12 EC226	1048341	1	Mount with marine silicone
32	Cover plate slip ring	1050384	1	
33	Screw MC6S M5x10 12.9	610594	4	
34	Rubber bushing	1046691	1	Use the outer ring. Washer down
35	Ring slip ring QSM	1046692	1	
36	Plate slip ring QSM	1046689	1	
37	Plate cable steering QSM	1046694	1	
38	Screw MC6S M6x20 8,8 FZB	610310	3	
55	Cover plate QSM70 magnet	1049358	1	
56	Hose hydraulic motor A	7000958	1	
57	Hose hydraulic motor B	7000957	1	

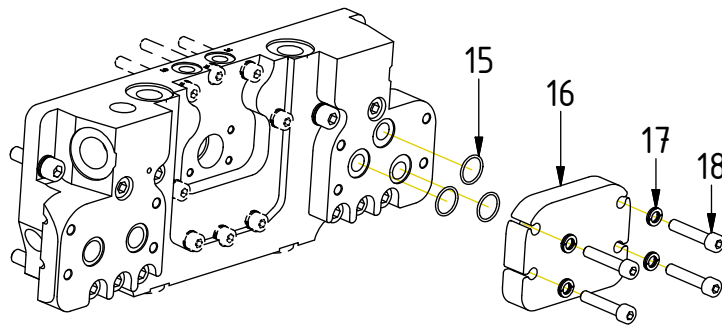
Between swivel & valve block:



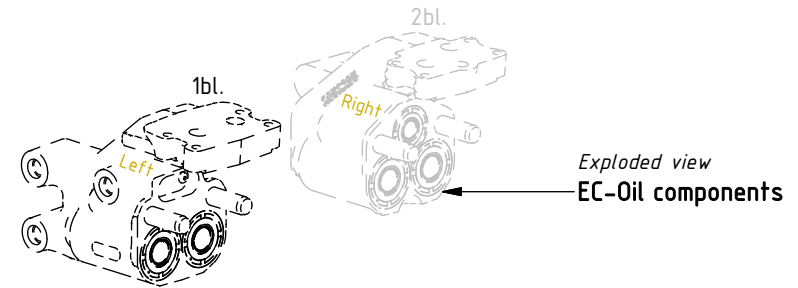
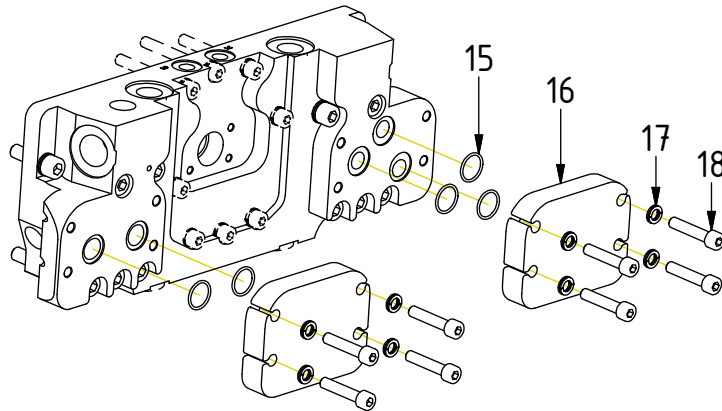
POS	DESCRIPTION	PART	QTY	COMMENTS
12	Washer NL 10mm	611041	16	
13	Screw MC6S M10x35 12.9	610494	2	
14	Screw MC6S M10x70 12.9 Geomet	6000110	10	
15	O-ring 18.77x1.78 N/90	710981	5	
16	Cover plate QSM70	1048075	2	
17	Washer NL 8mm	611040	8	
18	Screw MC6S M8x40 12.9 ZFSHL	6000145	8	Torque: 40Nm



EC-Oil 1bl.

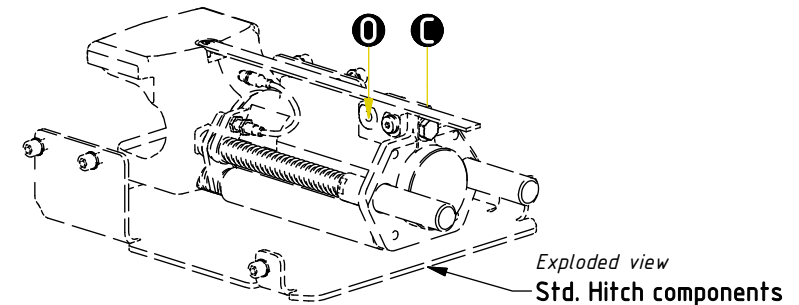
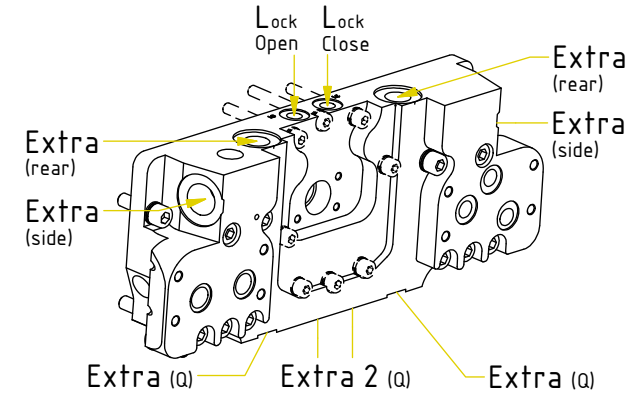
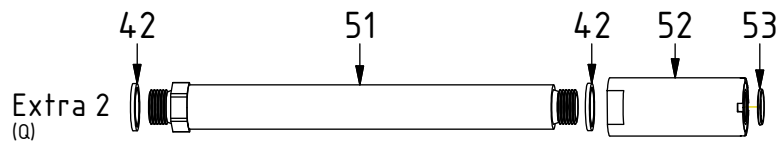
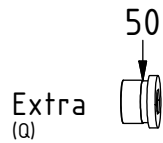
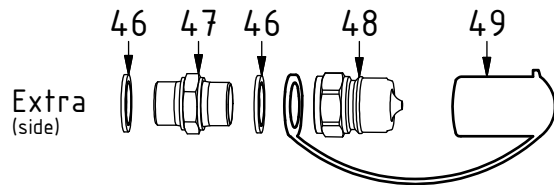
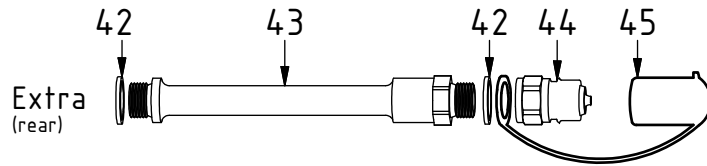
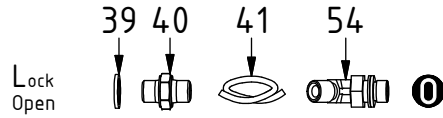
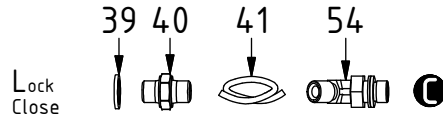


Without EC-Oil

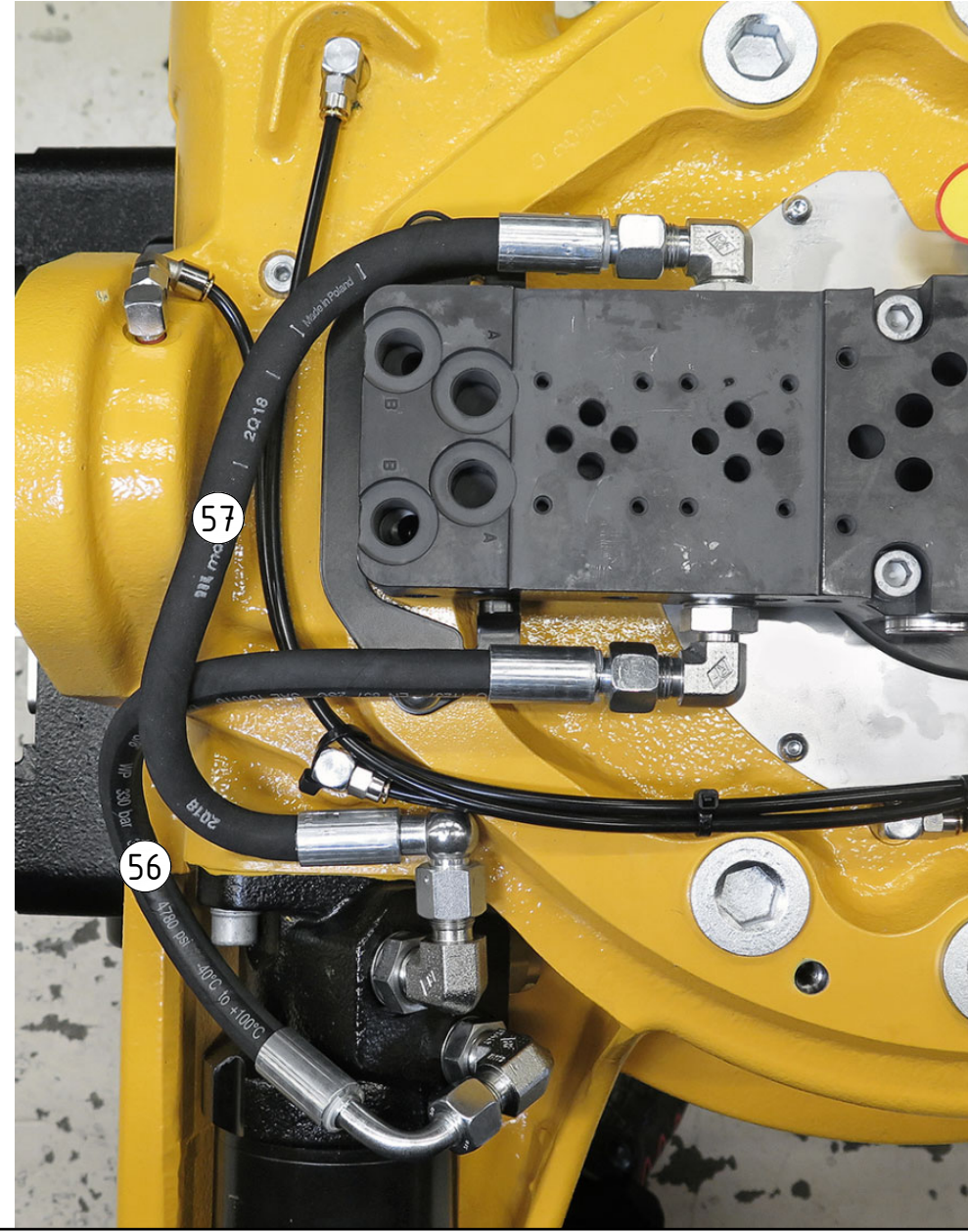
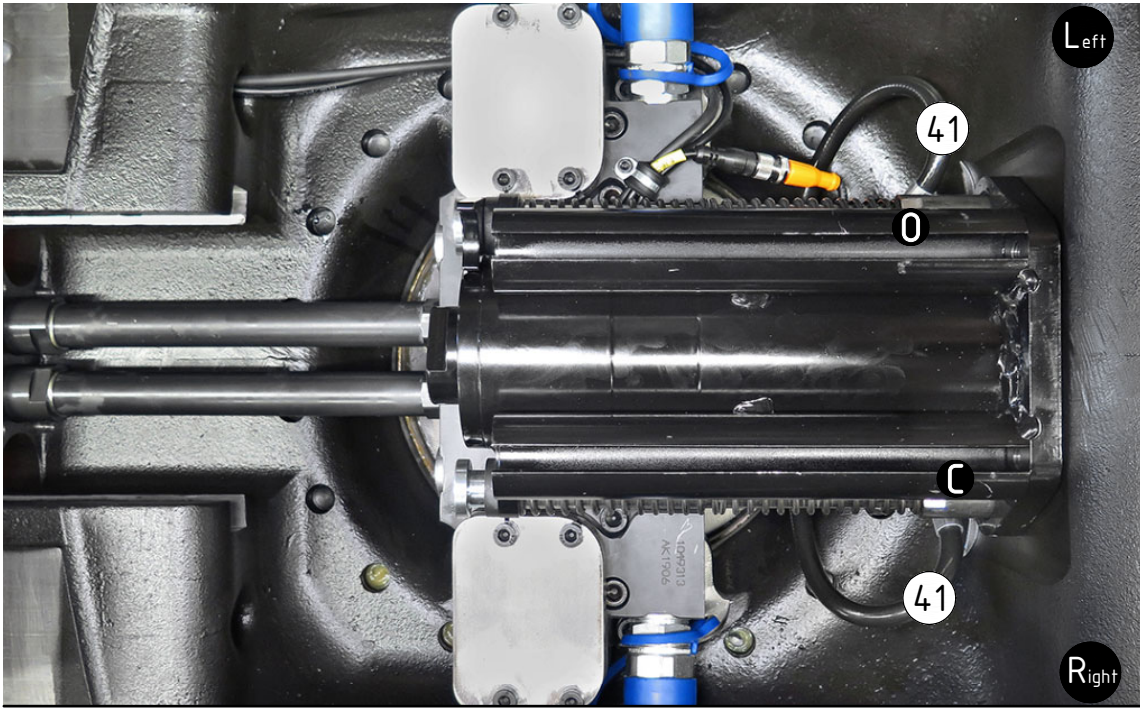
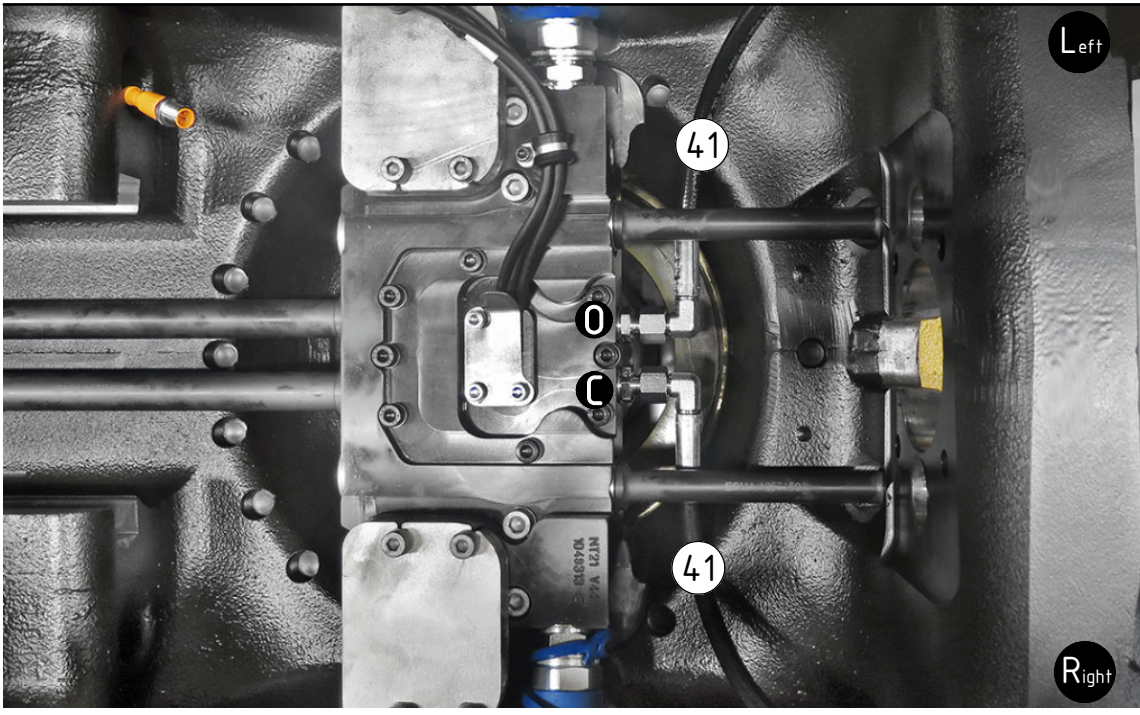


POS in order of assembly

POS	DESCRIPTION	PART	QTY	COMMENTS
39	Washer GBR04 1/4	710702	2	
40	Adapter 138-04-29 (1/4")	710135	2	
41	Hose Lock	742649	2	
42	Washer GBR08 1/2	710704	8	
43	Adapter extension extra 1/2"	1057150	2	
44	Quick coupling 1/2"	790115	2	
45	Dust protection 1/2"	790121	2	
46	Washer GBR12 3/4	710706	4	
47	Adapter 136-12-12 (3/4")	710126	2	
48	Quick coupling 3/4"	790193	2	
49	Dust protection 3/4"	790195	2	
50	Plug 70125-12 (3/4")	711532	2	
51	Adapter extension 1/2"-1/2" Steel	1050650	2	
52	Coupling ECO QSM 1/2" female V3	1055420	2	Loxéal 83-52. (POS.53 included)
53	Flat sealing for ECO 1/2" V3	1050018	2	
54	Adapter 45° 402-04-04 (1/4")	7000104	2	



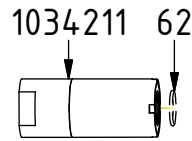
POS	DESCRIPTION	PART	QTY	COMMENTS
41	Hose Lock	742649	2	
56	Hose hydraulic motor A	7000958	1	
57	Hose hydraulic motor B	7000957	1	



RELATED SPARE PARTS

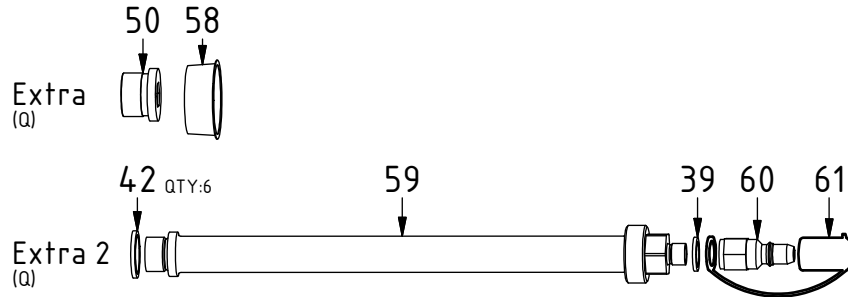
POS	DESCRIPTION	PART	QTY	COMMENTS
39	Washer GBR04 1/4	710702	2	
42	Washer GBR08 1/2	710704	8	
50	Plug 70125-12 (3/4")	711532	2	
52	Coupling ECO QSM 1/2" female V3	1055420	2	Loxeal 83-52. (POS.53 included)
53	Flat sealing for ECO 1/2" V3	1050018	2	
54	Adapter 45° 402-04-04 (1/4")	7000104	2	
58	Protection plug HECO70 hydraulic	7000156	2	
59	Adapter 1/2"-1/4" bolted GRD	1049234	2	
60	Quick Coupler 1/4" Male 2520	790111	2	
61	Dust Protection 1/4"	790119	2	
62	O-ring 17.17x1.78	710913	2	Used until 2020-01 Separate seal kit: 7000046
63	Hose Lock	742649	2	
64	Adapter 236-04-04	1013885	2	
65	Banjo bolt 4451-04 (1/4")	710271	4	

QSM-Q:

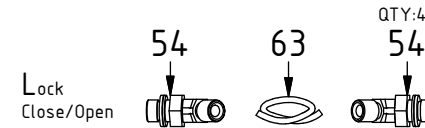


O-rings between versions are not compatible

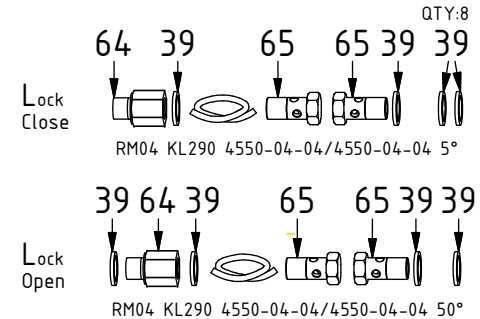
QSM:



Used until 2021-08:



Used until 2022-01:



POS in order of assembly