

COVERSHEET

Planned document changes:

Briefly:

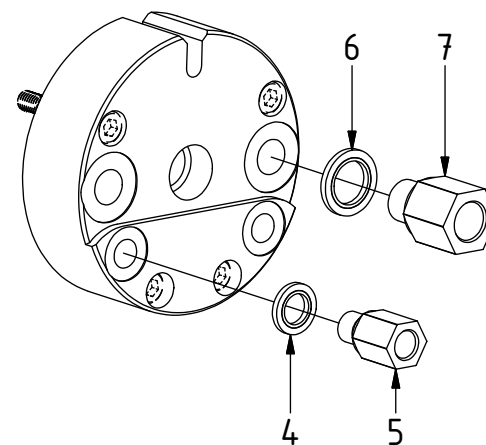
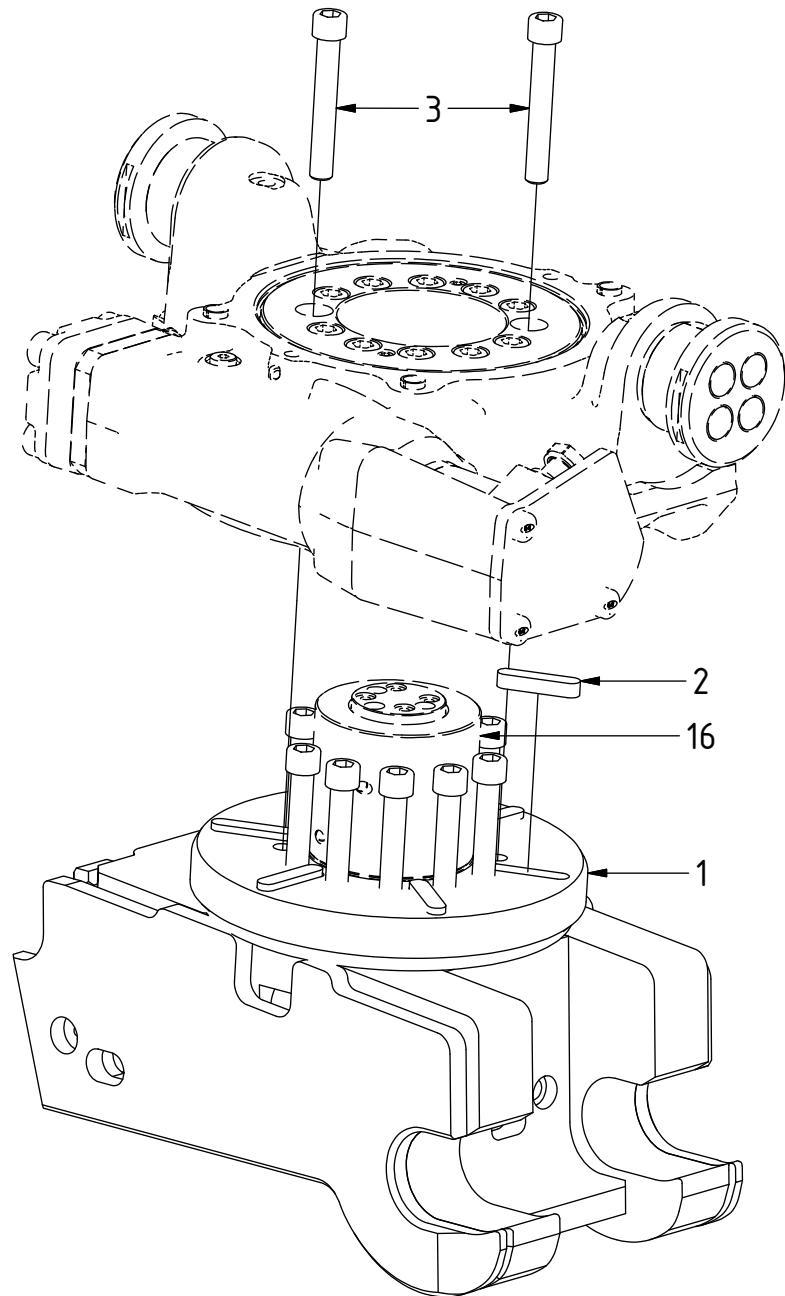
Correct description POS.9: Banjo bolt 4451-02 (1/8").

Document changes:

<u>Date:</u>	<u>Change:</u>	<u>Rev. after change:</u>
2021-12-03	Adapter at Lock Open moved to Close. Photo replaced.	A
2021-10-20	New instruction.	-

EC204 - HS03ECS

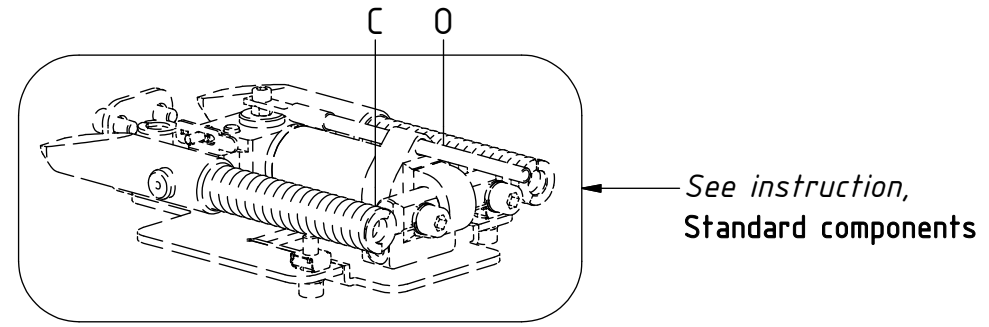
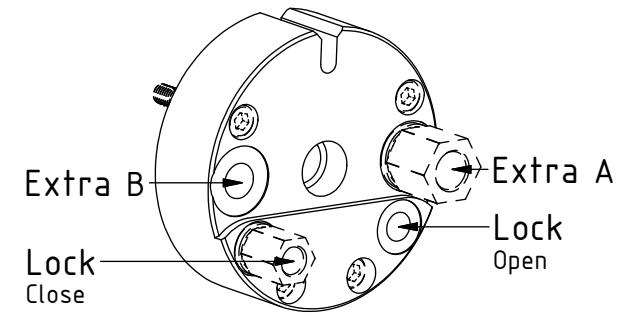
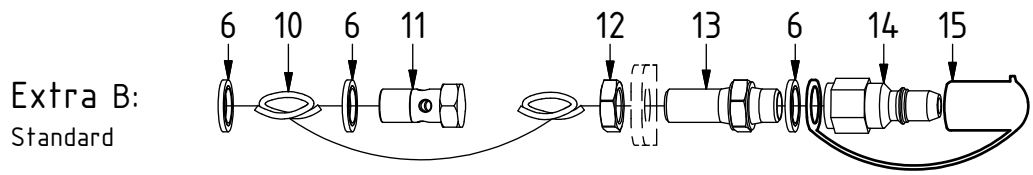
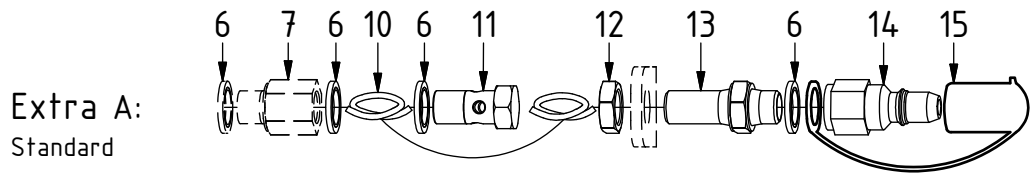
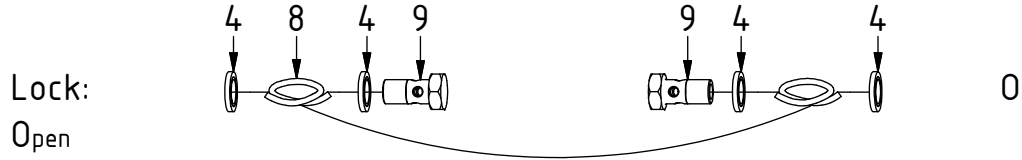
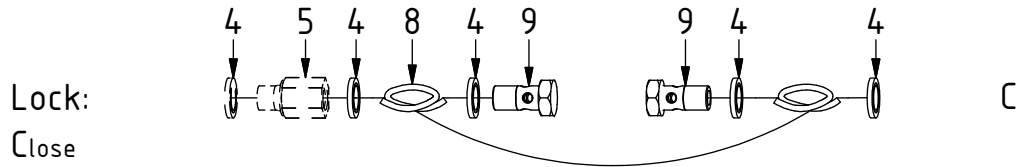
POS	DESCRIPTION	PART	QTY	COMMENTS
1	Quick hitch HS03ECS EC204	1063525	1	
2	Feather Key	650101	6	
3	MC6S M12x80 12.9 ZFSHL	6000148	12	Torque: 136Nm
4	Washer GBR02 1/8	710701	9	
5	Adapter 236-02-02	710129	1	
6	Washer GBR04 1/4	710702	7	
7	Adapter 236-04-04	1013885	1	
16	Swivel with Connection block Complete	1028504	1	Part of control system assembly See "Valve blocks & swivels"



EC204 - HS03ECS

POS in order of assembly

POS	DESCRIPTION	PART	QTY	COMMENTS
4	Washer GBR02 1/8	710701	9	
5	Adapter 236-02-02	710129	1	
6	Washer GBR04 1/4	710702	7	
7	Adapter 236-04-04	1013885	1	
8	Hose Lock	7000110	2	
9	Banjo bolt 4451-02 (1/2")	710277	4	
10	Hose Extra	7000111	2	
11	Banjo bolt 4451-04 (1/4")	710271	2	
12	Counternut 1270-04 (1/4")	710250	2	
13	Adapter 1260-04-04 (1/4")	710240	2	
14	Quick Coupler 1/4" Male 2520	790111	2	
15	Dust protection	790119	2	



Dashed lines for overview, mounts on other pages/assemblies. indicates instruction. represents hose.

EC204 - HS03ECS

POS	DESCRIPTION	PART	QTY	COMMENTS
8	Hose Lock	7000110	2	
10	Hose Extra	7000111	2	
17	Cable tie 4,8x360	1021586	1	

POS in order of assembly

