

## COVERSHEET

### Planned document changes:

**Briefly:**

No planned changes.

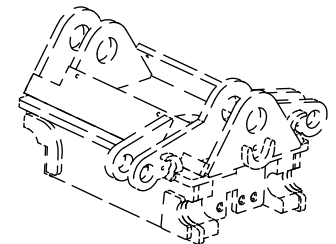
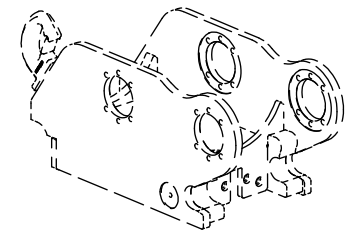
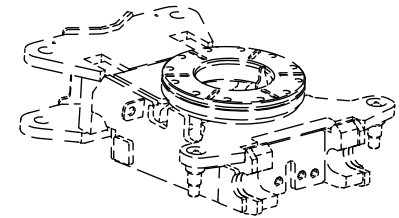
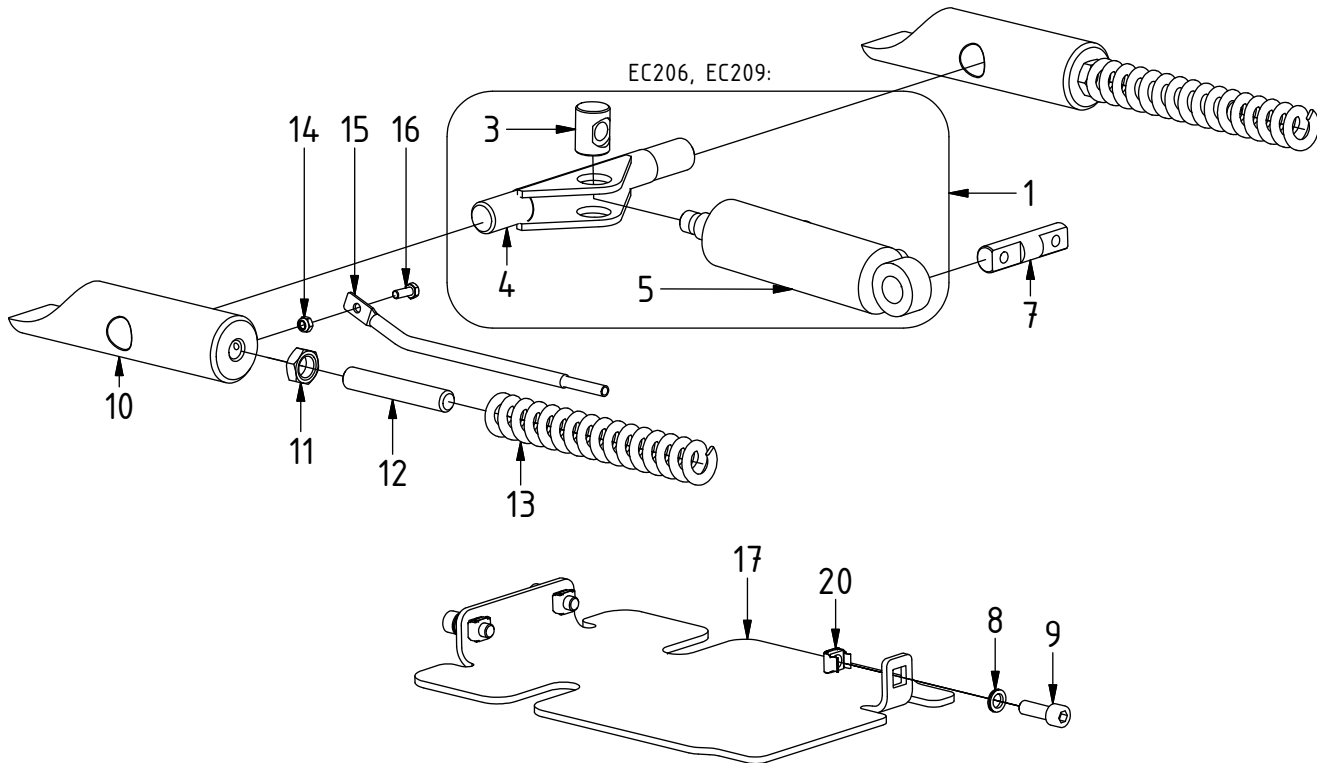
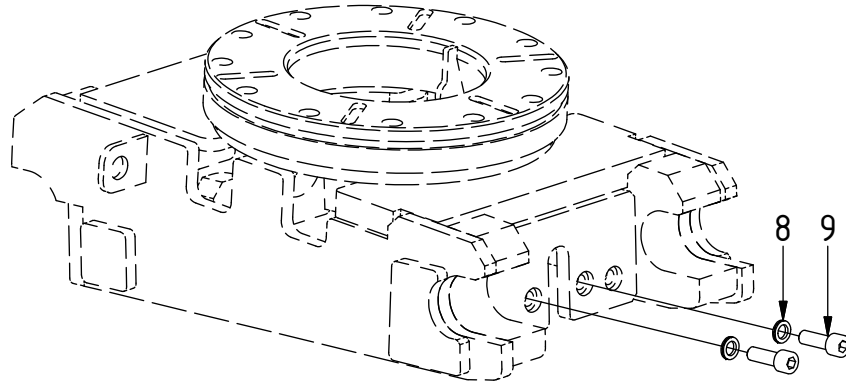
### Document changes:

Date:	Change:	Rev. after change:
2018-10-05	Coversheet added.	F

# S45/S50 - Std Components

EC05B, EC10B, EC15B, EC206, EC209, RFS45/S50, TFS45/S50

POS	DESCRIPTION	PART	QTY	COMMENTS
1	Lock cylinder S45/S50 rotated ear with yoke	1021885	1	(POS.3-5 included) See "Lock Cylinders"
3	Lock Pin	400449	1	
4	Lock Yoke	301004	1	
5	Lock Cylinder rotated ear	301099	1	
7	Lock Shaft S45-S60	402537	1	
8	Washer NL10	611041	5	
9	Socket Head Screw 10x30	610452	5	
10	Lock Wedge S45/S50	302332	2	
11	Flat Hex. Nut M16	610947	2	
12	Guide Pin	400674	2	
13	Spring 32x203 Blue	640101	2	
14	Hex. Nut M6 Nylon	610921	1	
15	Indicator Pin	401619	1	
16	Hex Head Screw 6x16	610109	1	
17	Cover plate S45/S50	1003095	1	
20	Crage Nut M10 C	610957	3	



POS in order of assembly

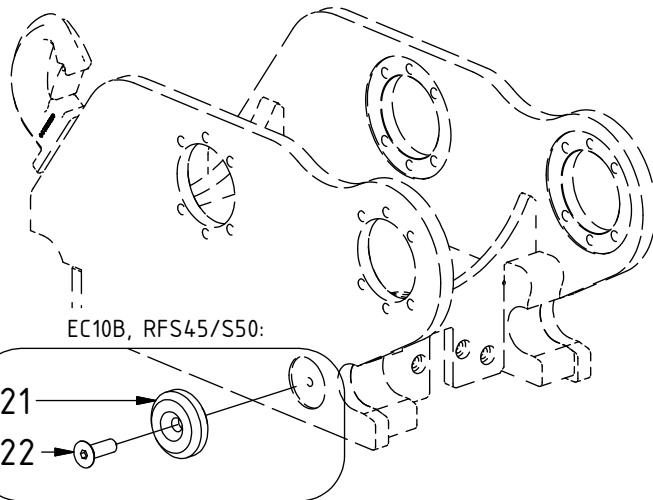
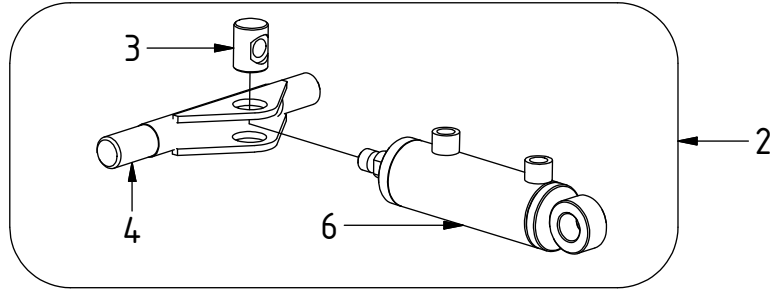
# S45/S50 - Std Components

EC05B, EC10B, EC15B, EC206, EC209, RFS45/S50, TFS45/S50

POS	DESCRIPTION	PART	QTY	COMMENTS
2	Lock cylinder S45/S50 with yoke	400848	1	(POS.3,4,6 included) See "Lock Cylinders"
3	Lock Pin	400449	1	
4	Lock Yoke	301004	1	
6	Lock Cylinder	300732	1	
18	Cover Plate S45/S50 EC10B	302313	1	
19	Flat head socket screw 8x20	610634	4	
21	S45 Distance	1000187	1	
22	Flat head socket screw 10x30	610635	1	

POS in order of assembly

EC05B, EC10B, EC15B, RFS45/S50, TSF45/S50:



EC10B, RFS45/S50:

Used until 2008-05

Still relevant for EC10B:

