

COVERSHEET

Planned document changes:

Briefly:

2026-06-23. Correct description POS.14: Banjo bolt 4451-02 (1/8").

Document changes:

Date:	Change:	Rev. after change:
2022-10-18	Photos added.	A
2022-10-03	New document.	-

Readers note:

Indicates instruction.

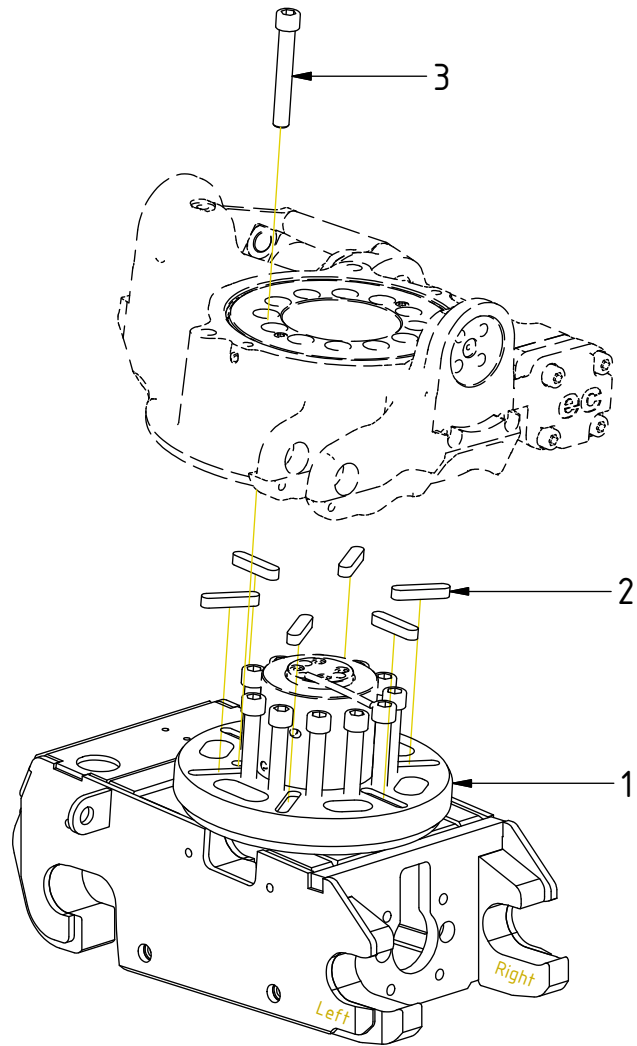


Represents Hose.

Dashed lines for overview, mounts
on other pages/assemblies.

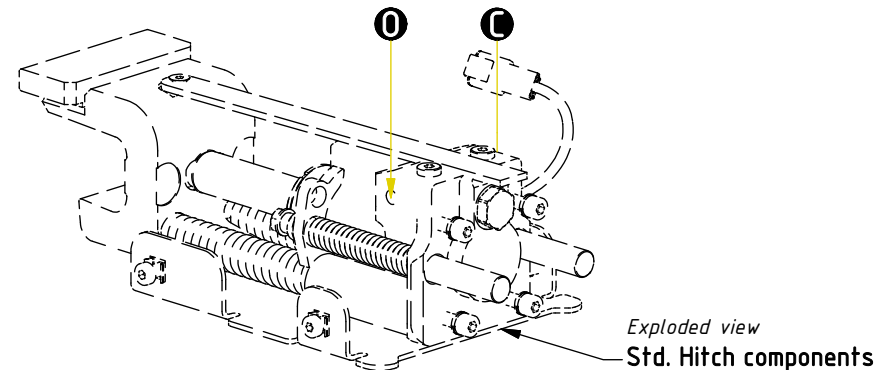
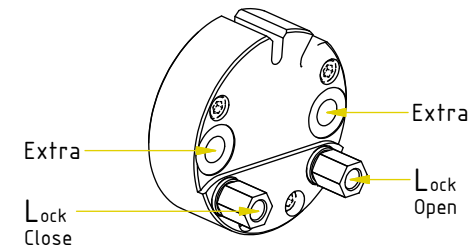
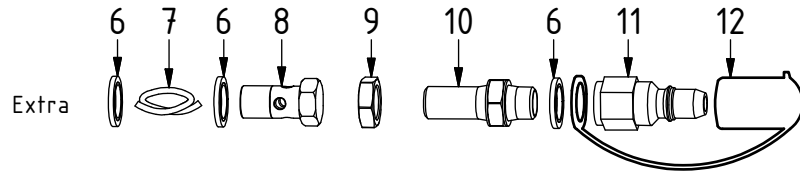
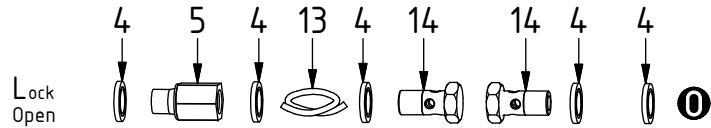
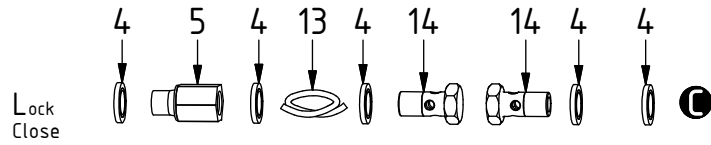
POS	DESCRIPTION	PART	QTY	COMMENTS
1	Quick hitch S40S EC204	1060270	1	
2	Feather Key	650101	6	
3	Screw MC6S M12x80 12.9 ZFSL	6000148	12	Torque: 136Nm

POS in order of assembly



POS	DESCRIPTION	PART	QTY	COMMENTS
4	Washer GBR02 1/8	710701	10	
5	Adapter 236-02-02	710129	2	
6	Washer GBR04 1/4	710702	6	
7	Hose Extra	7001738	2	
8	Banjo bolt 4451-04 (1/4")	710271	2	
9	Counternut 1270-04 (1/4")	710250	2	
10	Adapter 1260-04-04 (1/4")	710240	2	
11	Quick Coupler 1/4" Male 2520	790111	2	
12	Dust protection 1/4" male	790119	2	
13	Hose Lock	7001678	2	
14	Banjo bolt 4451-02 (1/2")	710277	4	

POS in order of assembly



POS	DESCRIPTION	PART	QTY	COMMENTS
7	Hose Extra	7001738	2	
13	Hose Lock	7001678	2	

