

COVERSHEET

Planned document changes:

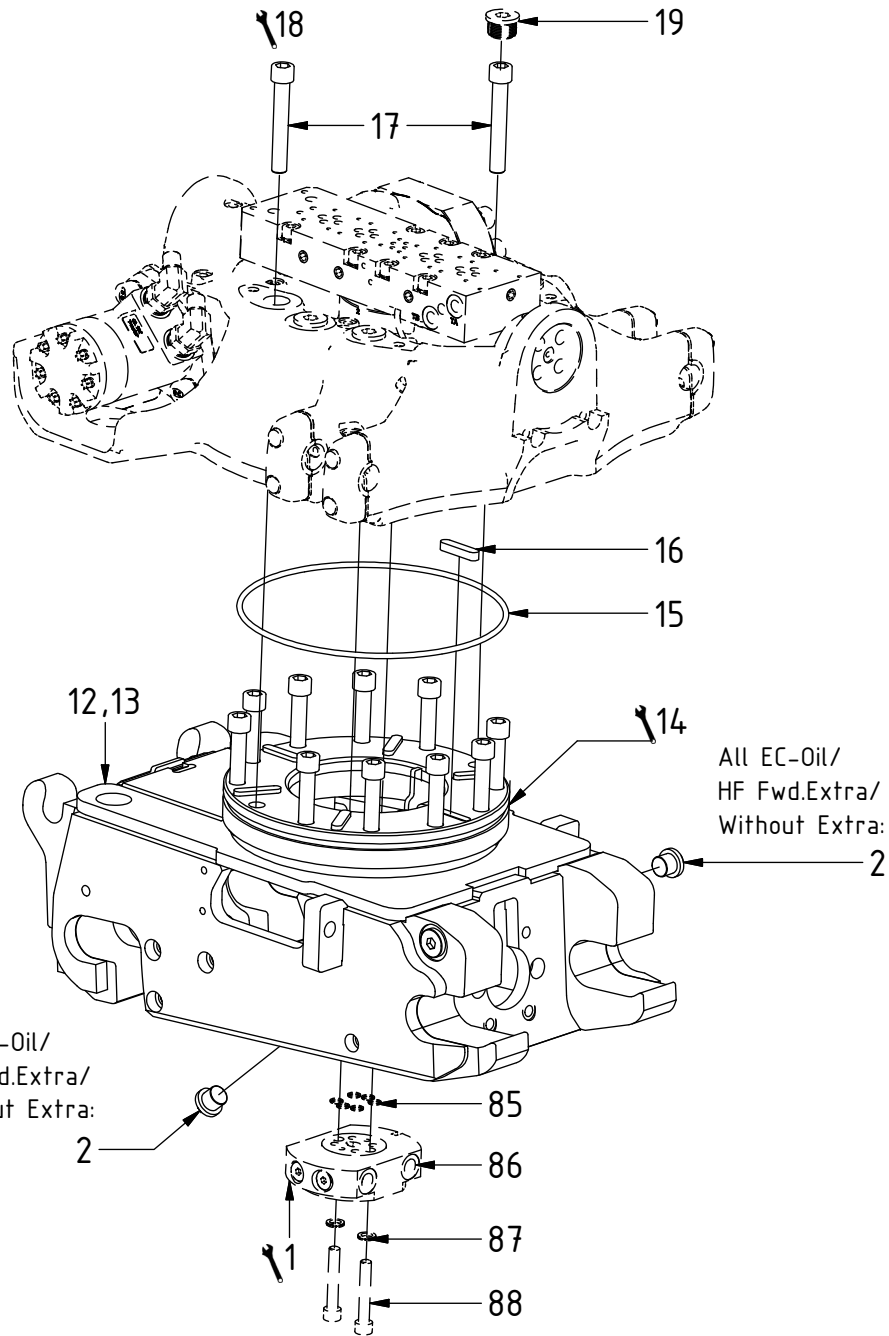
Briefly:

No planned changes.

Document changes:

Date:	Change:	Rev. after change:
2023-11-16	O-ring updated.	I
2022-05-22	Spare parts updated. Screws updated.	H
2020-03-13	QSD-Q o-rings added, current and spare parts.	G
2020-01-09	QSD-Q couplings replaced. Spare parts added.	F
2018-07-02	Layout/irrelevant.	E
2018-05-28	Partslist updated.	D
2018-04-26	Partslist updated.	C
2017-10-09	Partslist updated.	B
2017-07-03	Option HF Fwd.Extra, torque & hose kits added.	A
2017-03-13	New document.	-

EC209 - QSD45/QSD50



POS	DESCRIPTION	PART	QTY	COMMENTS
1	See p.2-3 connection block config.			
2	Plug 1/2"	711500	4	For option EC-Oil, HF Fwd.Extra
12	Quick hitch QSD45 EC209	1036400	1	
13	Quick hitch QSD50 EC209	1039288	1	
14	Grease the ring			
15	O-ring 242x5	7001663	1	
16	Feather Key	650101	6	
17	MC6S 14x90 12.9 ZFSL	6000158	12	Torque: 217Nm
18	Torque tighten rotator frame to hitch. Rotate to access all holes			
19	Pipe Plug M26x1,5	650409	6	Part of rotator frame assembly
85	O-ring 9,25x1,78	710901	6	Part of rotator frame assembly
86	Connection block EC209	1025502	1	Part of rotator frame assembly
87	Washer NL10	611041	2	Part of rotator frame assembly
88	Screw MC6S 10x60	610460	2	Part of rotator frame assembly

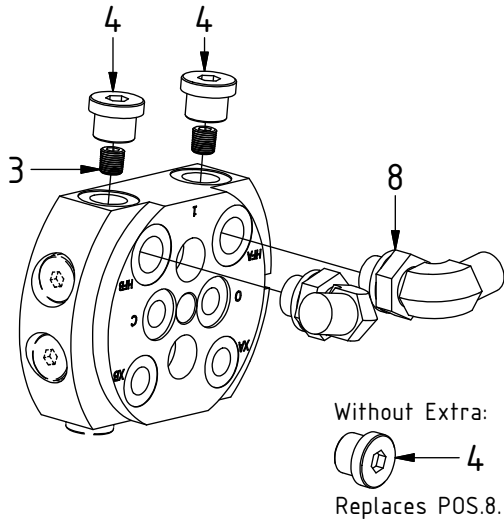
All EC-Oil/
HF Fwd.Extra/
Without Extra:

All EC-Oil/
HF Fwd.Extra/
Without Extra:

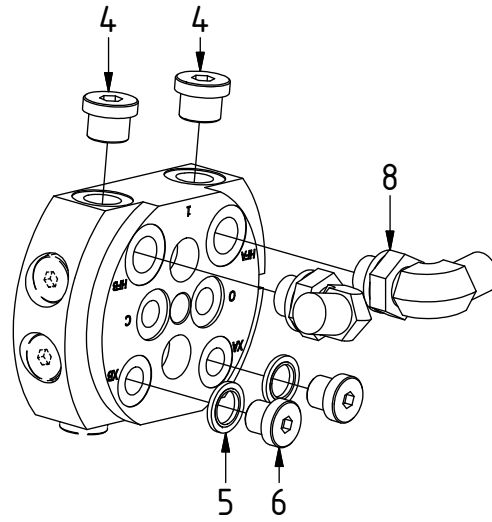
EC209 - QSD45/QSD50

POS	DESCRIPTION	PART	QTY	COMMENTS
3	Plug 1/8" BSPT	711523	2	Loctite 5400
4	Plug 3/8"	711504	2	QTY: 4 for Without Extra
5	Washer GBR04 1/4	710702	12	QTY depends on config (6-14)
6	Plug 1/4"	711505	2	
7	Adapter 236-04-04 (1/4")	1013885	1	
8	Adapter 401-06-06 90° (3/8")	710152	2	QTY depends on config (1-3)
9	Washer GBR06 3/8	710703	2	QTY depends on config (1-13)
10	Adapter 136-06-06 (3/8")	710106	1	
11	Adapter 830-06-06 (3/8")	710147	2	
20	Banjobolt 3/8"	710272	4	QTY depends on config (2-4)

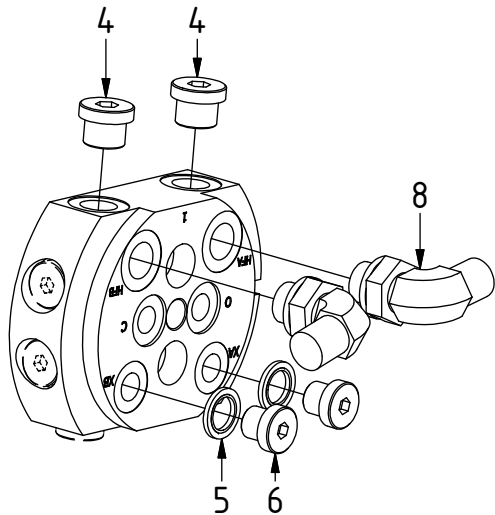
Standard / QSD-Q:



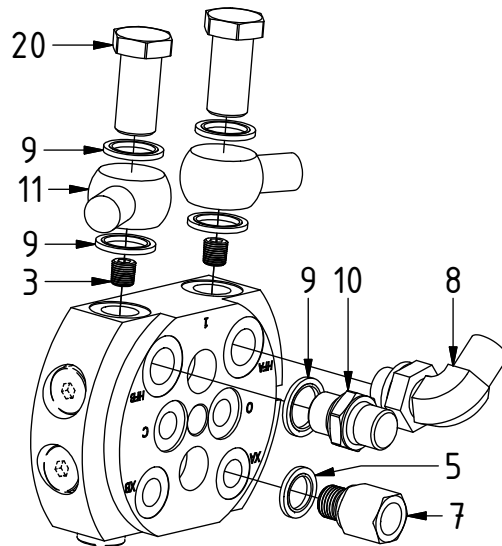
HF:



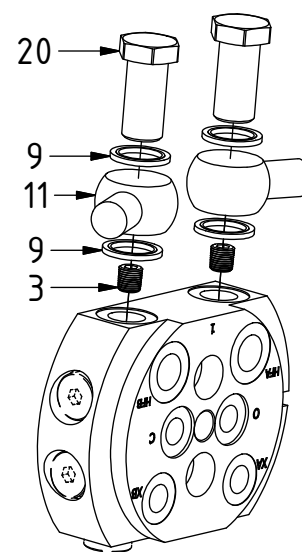
HF Fwd.Extra:



QSD-Q EC-Oil:



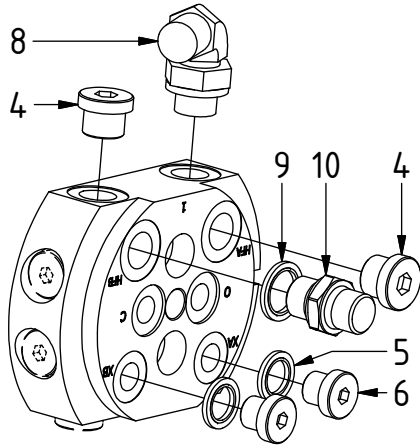
QSD-Q EC-Oil 2Bl. 2HF:



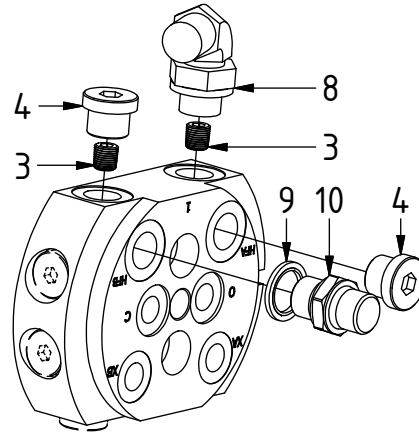
EC209 - QSD45/QSD50

POS	DESCRIPTION	PART	QTY	COMMENTS
3	Plug 1/8" BSPT	711523	2	Loctite 5400
4	Plug 3/8"	711504	2	QTY: 4 for Without Extra
5	Washer GBR04 1/4	710702	12	QTY depends on config (6-14)
6	Plug 1/4"	711505	2	
8	Adapter 401-06-06 90° (3/8")	710152	2	QTY depends on config (1-3)
9	Washer GBR06 3/8	710703	2	QTY depends on config (1-13)
10	Adapter 136-06-06 (3/8")	710106	1	

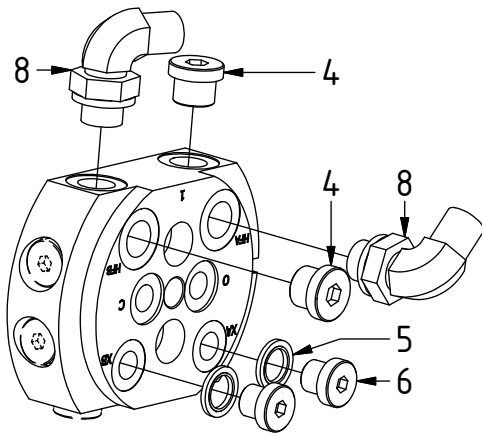
EC-Oil HF:



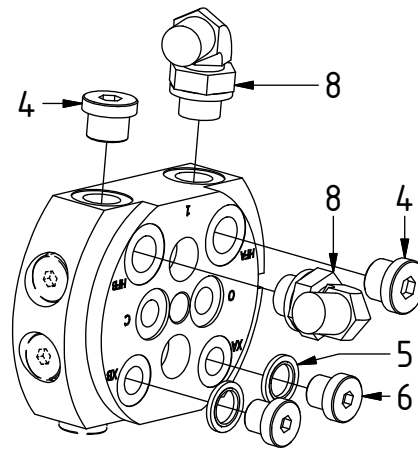
EC-Oil / EC-Oil Dbl.Extra:



EC-Oil 2Bl. HF:
QSD45



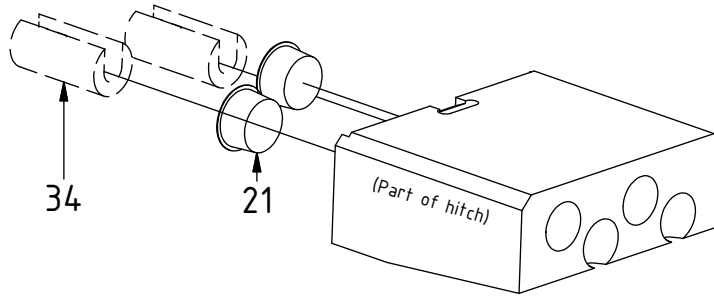
EC-Oil 2Bl. HF:
QSD50



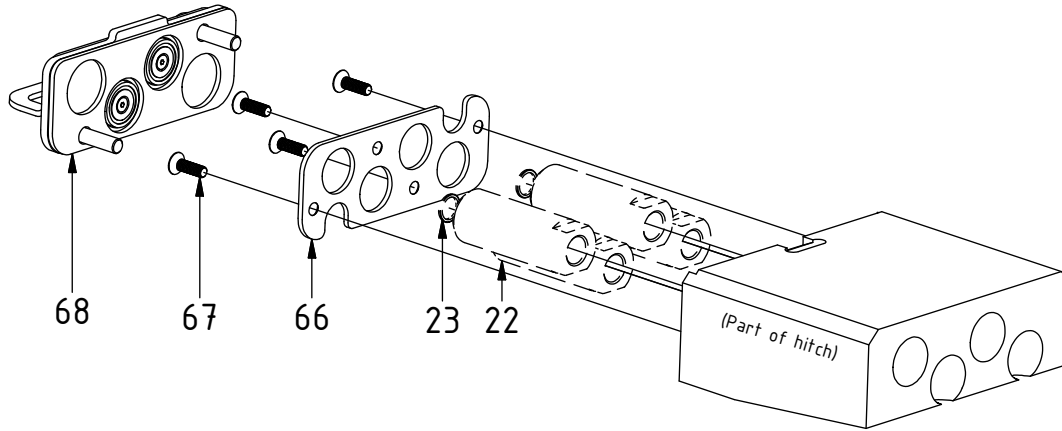
EC209 - QSD45/QSD50

POS	DESCRIPTION	PART	QTY	COMMENTS
21	Protection plug 3/8"	7000153	2	QTY depends on config (2-4)
22	Coupling ECO QSD 3/8" female V3	1053128	4	(POS.23 included)
23	Flat sealing for ECO 3/8" V3	1052976	4	
34	Hose holder QSD45/50	1038800	2	
66	Mounting plate ECO QSD45/50 V2	1055295	1	
67	Screw MF6S 6x20	6000113	4	
68	Protection ECO QSM45/GRD	1056107	1	

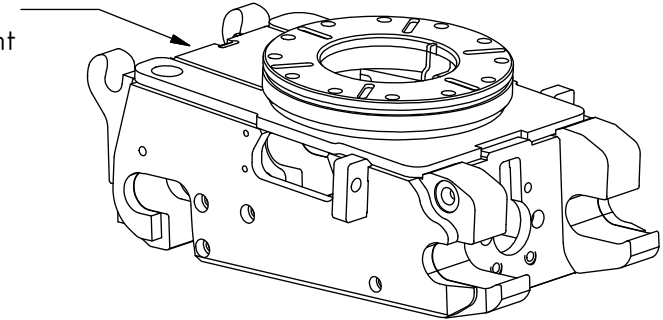
Standard / EC-Oil / EC-Oil Dbl.Extra with Grab:
 (p.6) (p.11) (p.15)



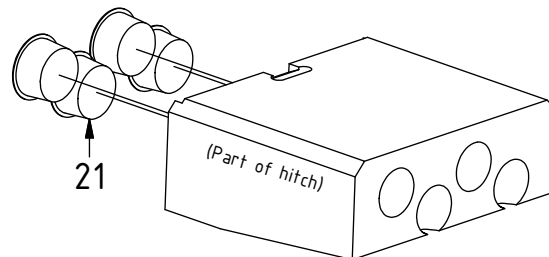
QSD-Q / QSD-Q EC-Oil / QSD-Q EC-Oil 2Bl. 2HF:
 (p.8) (p.9) (p.10)



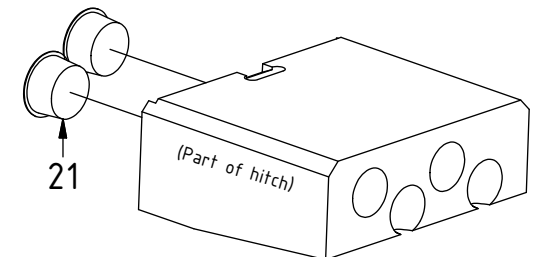
Plugs/couplings located at hitch front



HF / EC-Oil HF / EC-Oil Dbl.Extra / EC-Oil 2Bl. HF / Without Extra:
 (p.7) (p.12) (p.13) (p.14)

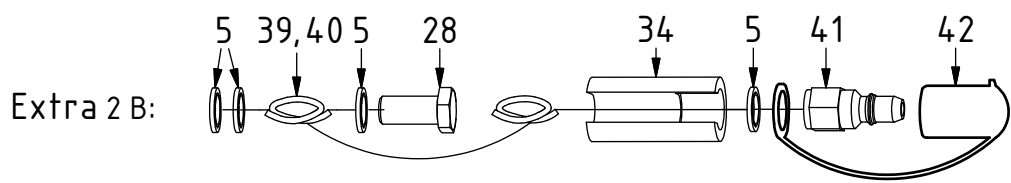
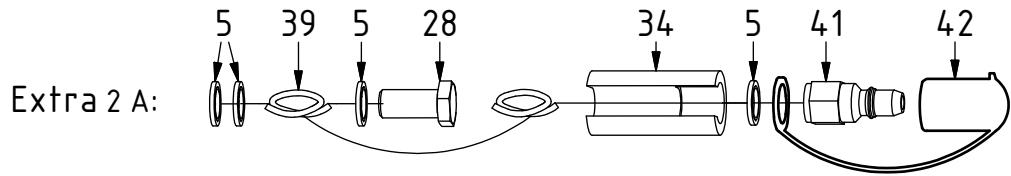
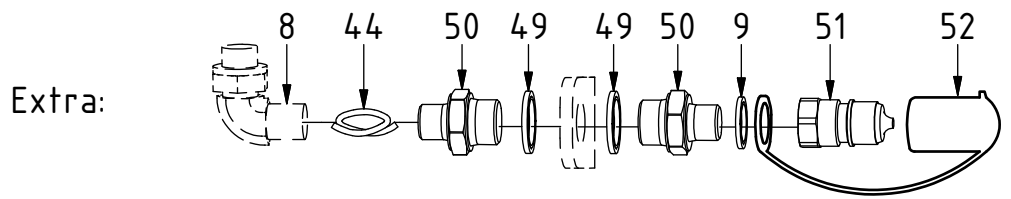
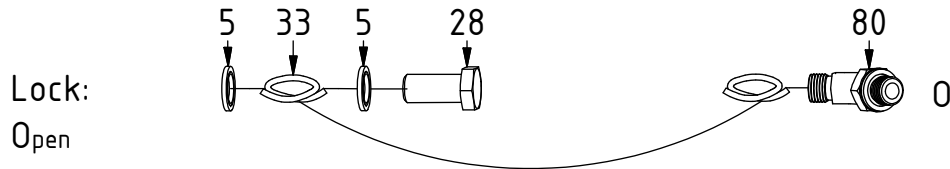
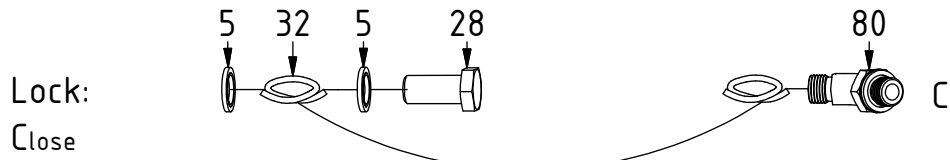


HF Fwd.Extra:
 (p.7)

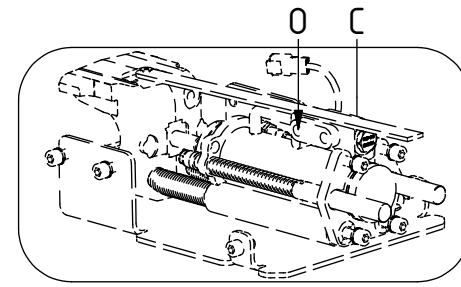
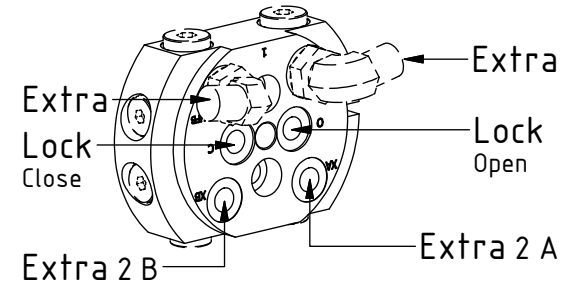


EC209 - QSD45/QSD50

Standard

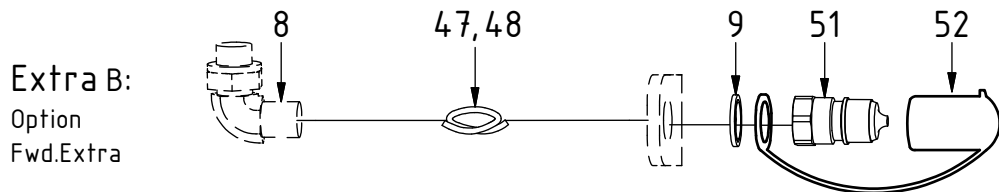
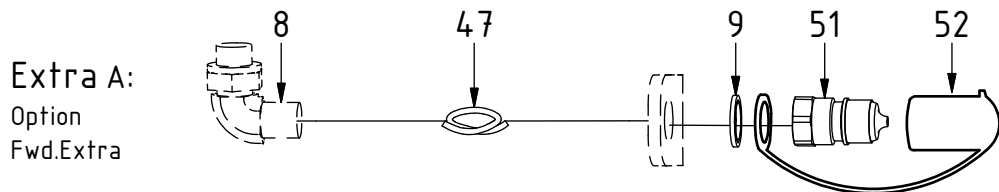
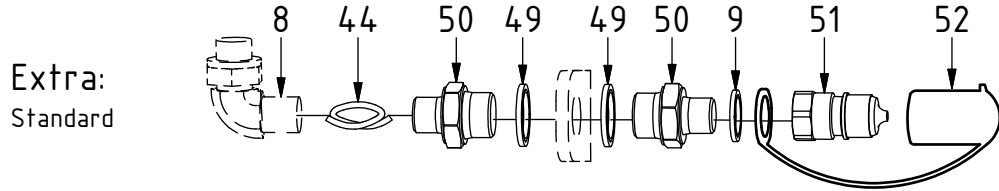
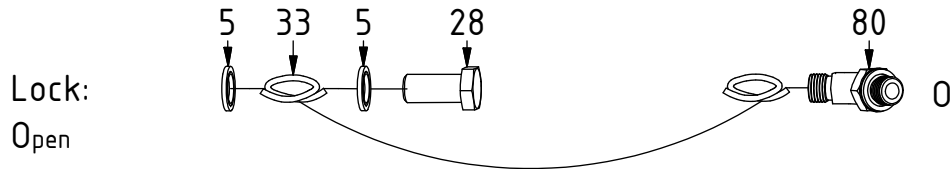
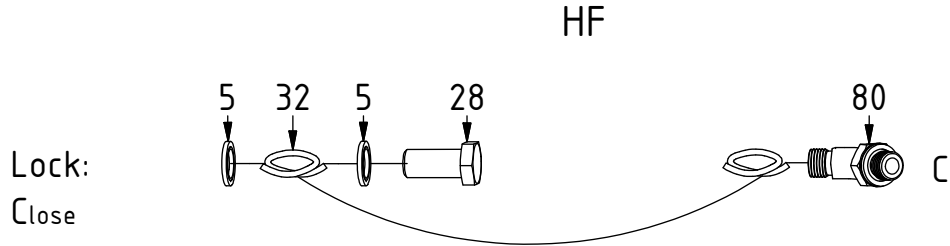


POS	DESCRIPTION	PART	QTY	COMMENTS
5	Washer GBR04 1/4	710702	12	QTY depends on config (6-14)
8	Adapter 401-06-06 90° (3/8")	710152	2	QTY depends on config (1-3)
9	Washer GBR06 3/8	710703	2	QTY depends on config (1-13)
28	Banjobolt 1/4"	710271	4	QTY depends on config (2-4)
31	Hose kit - Lock	7000542	1	(POS.32, 33 included)
32	Hose Lock Long	7000434	1	
33	Hose Lock Short	7000433	1	
34	Hose holder QSD45/50	1038800	2	
35	Hose kit - Std QSD45	7000543	1	(POS.39, 44 included)
36	Hose kit - Std QSD50	7000544	1	(POS.39, 40, 44 included)
39	Hose GRD Short	7000435	2	QTY: 1 for QSD50
40	Hose GRD Long	7000449	1	For QSD50
41	Quick Coupler 1/4"	790111	2	
42	Dust protection 1/4"	790119	2	
44	Hose Extra A/B	7000436	2	
49	Sealing washer 1/2"	710704	4	
50	Adapter 135-06-08 (3/8"-1/2")	710122	4	
51	Quick coupling 3/8"	790113	2	
52	Dust protection 3/8"	790120	2	
80	Adapter 402-04-04 45° (1/4")	7000104	2	

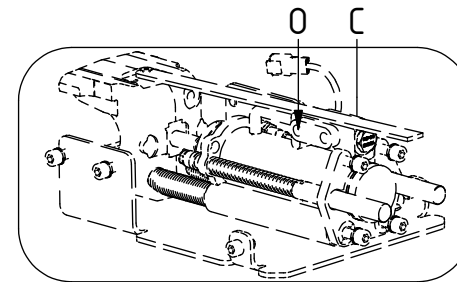
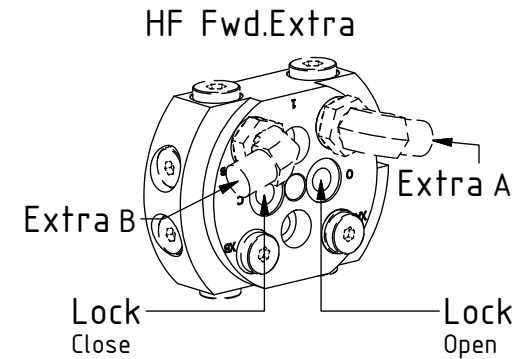
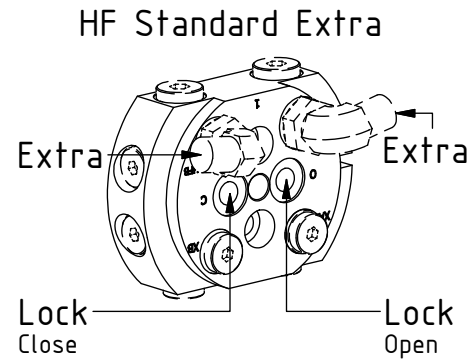


See instruction,
Standard components

EC209 - QSD45/QSD50

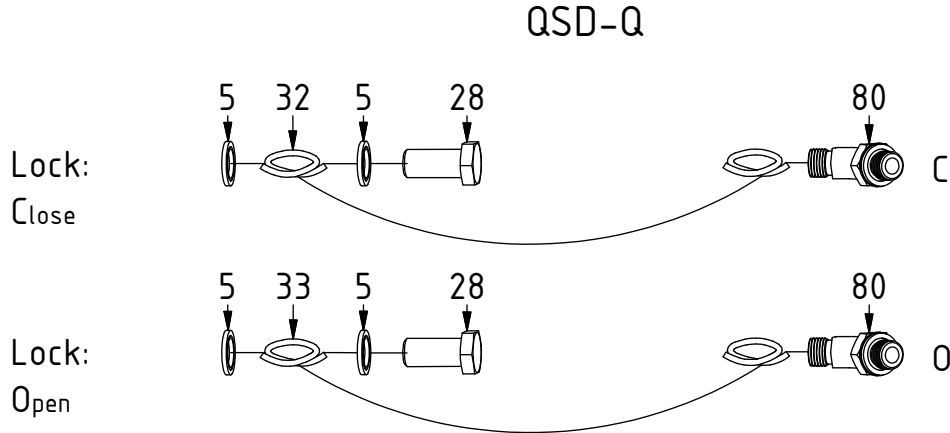


POS	DESCRIPTION	PART	QTY	COMMENTS
5	Washer GBR04 1/4	710702	12	QTY depends on config (6-14)
8	Adapter 401-06-06 90° (3/8")	710152	2	QTY depends on config (1-3)
9	Washer GBR06 3/8	710703	2	QTY depends on config (1-13)
28	Banjobolt 1/4"	710271	4	QTY depends on config (2-4)
31	Hose kit - Lock	7000542	1	(POS.32, 33 included)
32	Hose Lock Long	7000434	1	
33	Hose Lock Short	7000433	1	
43	Hose kit - HF	7000545	1	(POS.44 included)
44	Hose Extra A/B	7000436	2	
45	Hose kit - HF Fwd.Extra QSD45	7000546	1	(POS.47 included)
46	Hose kit - HF Fwd.Extra QSD50	7000547	1	(POS.47, 48 included)
47	Hose Fwd.Extra Short	7000540	2	For HF Fwd.Extra QTY: 1 for QSD50
48	Hose Fwd.Extra Long	7000541	1	For QSD50
49	Sealing washer 1/2"	710704	4	
50	Adapter 135-06-08 (3/8"-1/2")	710122	4	
51	Quick coupling 3/8"	790113	2	
52	Dust protection 3/8"	790120	2	
80	Adapter 402-04-04 45° (1/4")	7000104	2	

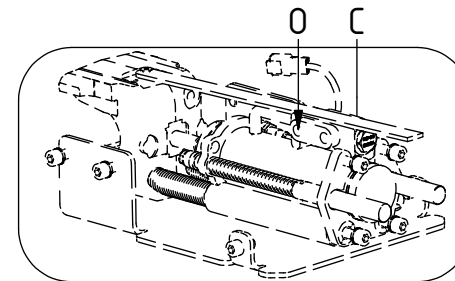
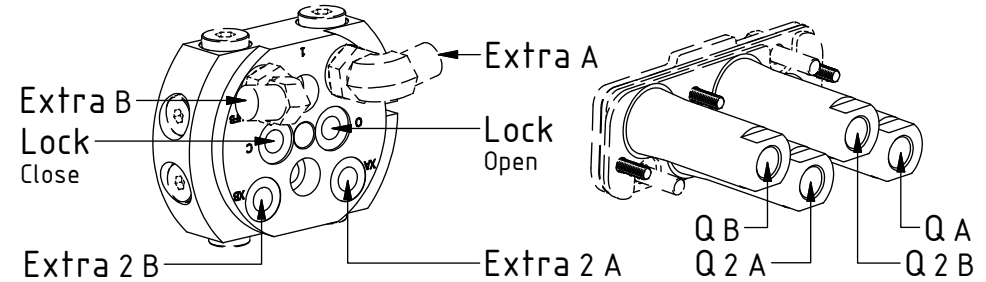
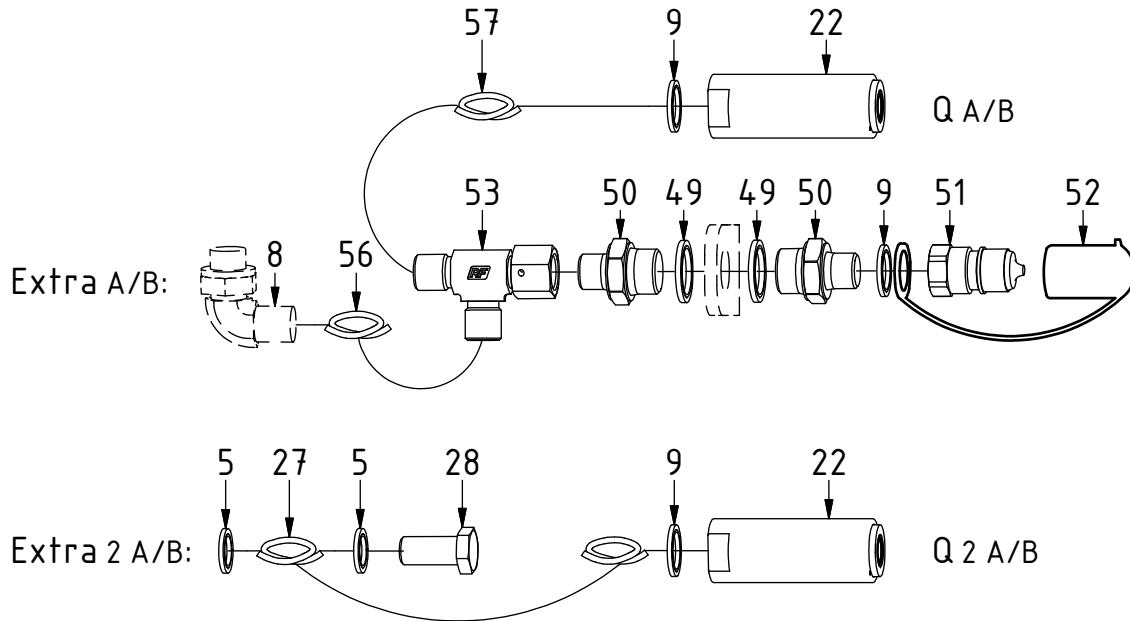


See instruction,
Standard components

EC209 - QSD45/QSD50



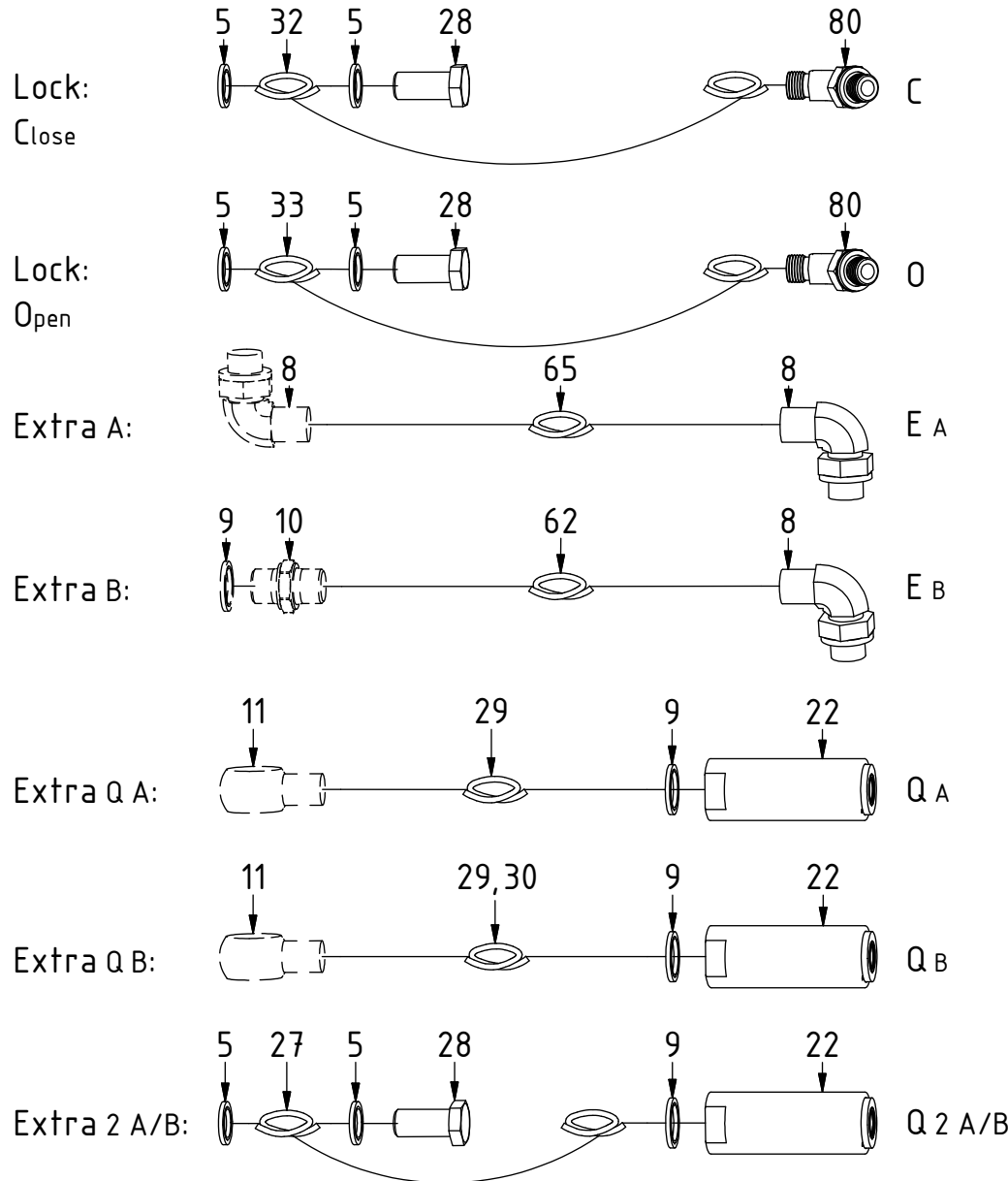
POS	DESCRIPTION	PART	QTY	COMMENTS
5	Washer GBR04 1/4	710702	12	QTY depends on config (6-14)
8	Adapter 401-06-06 90° (3/8")	710152	2	QTY depends on config (1-3)
9	Washer GBR06 3/8	710703	2	QTY depends on config (1-13)
22	Coupling ECO QSD 3/8" female V3	1053128	4	(POS.23 included)
23	Flat sealing for ECO 3/8" V3	1052976	4	
24	Hose kit - QSD-Q	7000548	1	(POS.27, 56, 57 included)
27	Hose GRD QSD-Q	7000437	2	
28	Banjobolt 1/4"	710271	4	QTY depends on config (2-4)
31	Hose kit - Lock	7000542	1	(POS.32, 33 included)
32	Hose Lock Long	7000434	1	
33	Hose Lock Short	7000433	1	
49	Sealing washer 1/2"	710704	4	
50	Adapter 135-06-08 (3/8"-1/2")	710122	4	
51	Quick coupling 3/8"	790113	2	
52	Dust protection 3/8"	790120	2	
53	Adapter 855-06-06 (3/8")	710281	2	
56	Hose Extra A/B QSD-Q	7000441	2	
57	Hose SWD QSD-Q	7000442	2	
80	Adapter 402-04-04 45° (1/4")	7000104	2	



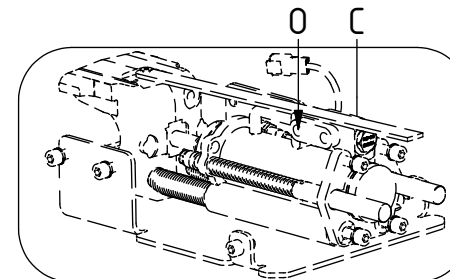
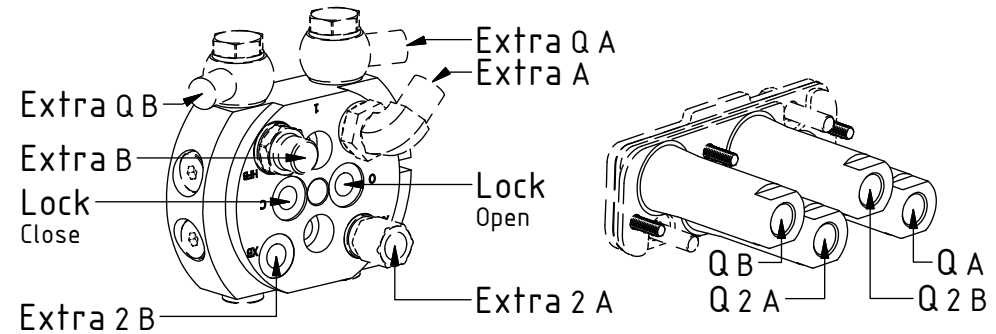
See instruction,
Standard components

EC209 - QSD45/QSD50

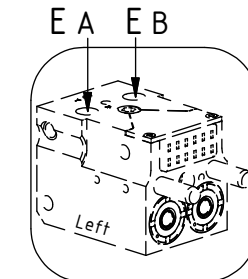
QSD-Q EC-Oil



POS	DESCRIPTION	PART	QTY	COMMENTS
5	Washer GBR04 1/4	710702	12	QTY depends on config (6-14)
8	Adapter 401-06-06 90° (3/8")	710152	2	QTY depends on config (1-3)
9	Washer GBR06 3/8	710703	2	QTY depends on config (1-13)
10	Adapter 136-06-06 (3/8")	710106	1	
11	Adapter 830-06-06 (3/8")	710147	2	
22	Coupling ECO QSD 3/8" female V3	1053128	4	(POS.23 included)
23	Flat sealing for ECO 3/8" V3	1052976	4	
25	Hose kit - QSD-Q EC-Oil QSD45	7000549	1	(POS.27, 29, 62, 65 included)
26	Hose kit - QSD-Q EC-Oil QSD50	7000550	1	(POS.27, 29, 30, 62, 65 included)
27	Hose GRD QSD-Q	7000437	2	
28	Banjobolt 1/4"	710271	4	QTY depends on config (2-4)
29	Hose SWD QSD-Q EC-Oil Short	7000440	2	QTY: 1 for QSD50
30	Hose SWD QSD-Q EC-Oil Long	7000459	1	For QSD50
31	Hose kit - Lock	7000542	1	(POS.32, 33 included)
32	Hose Lock Long	7000434	1	
33	Hose Lock Short	7000433	1	
62	Hose Extra B QSD-Q EC-Oil	7000438	1	
65	Hose Extra A QSD-Q EC-Oil Short	7000439	1	
80	Adapter 402-04-04 45° (1/4")	7000104	2	



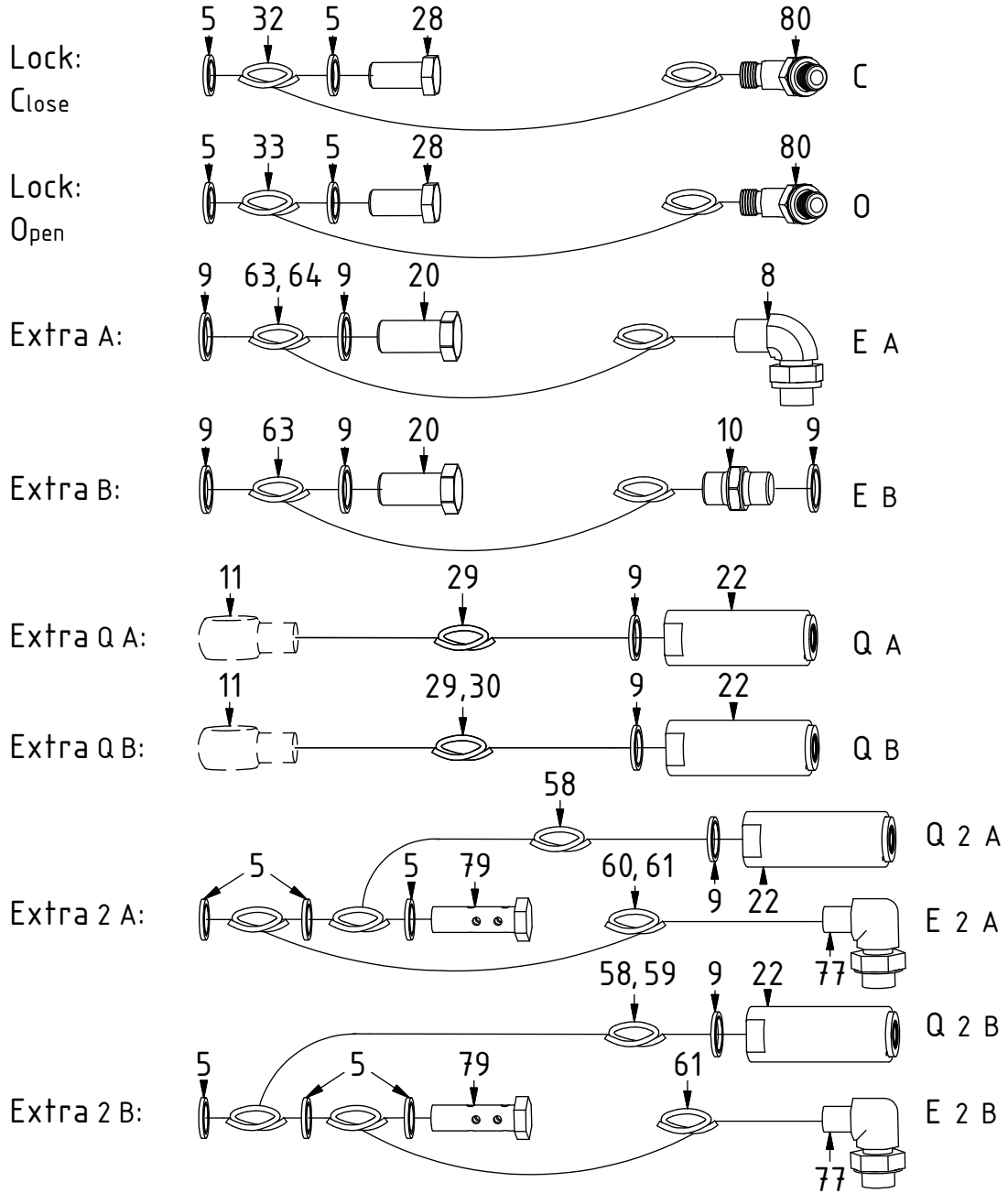
See instruction, Standard components



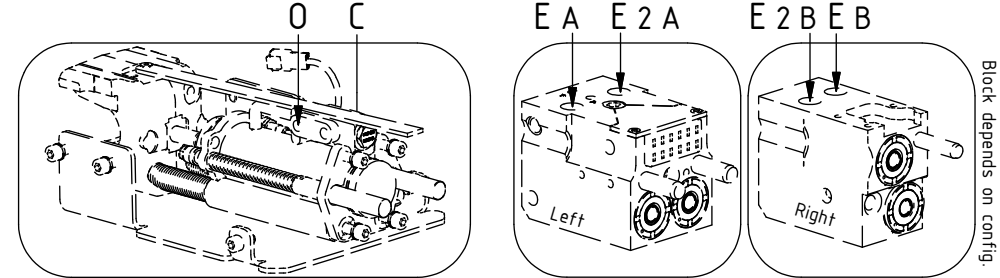
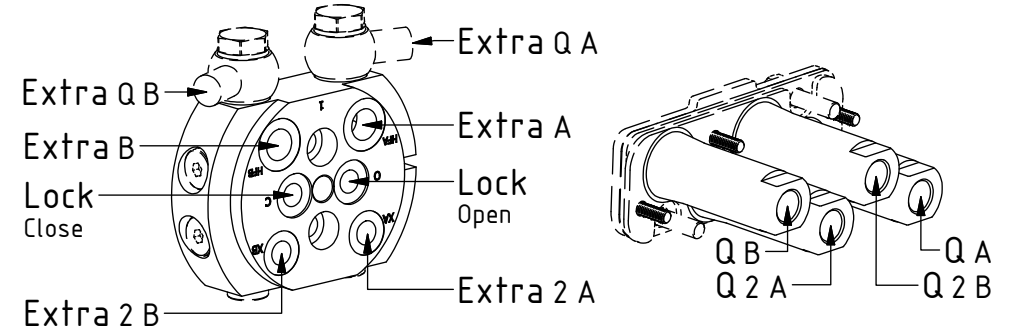
See instruction, EC-Oil components

EC209 - QSD45/QSD50

QSD-Q EC-Oil 2Bl. 2HF



POS	DESCRIPTION	PART	QTY	COMMENTS
5	Washer GBR04 1/4	710702	12	QTY depends on config (6-14)
8	Adapter 401-06-06 90° (3/8")	710152	2	QTY depends on config (1-3)
9	Washer GBR06 3/8	710703	2	QTY depends on config (1-13)
10	Adapter 136-06-06 (3/8")	710106	1	
11	Adapter 830-06-06 (3/8")	710147	2	
20	Banjobolt 3/8"	710272	4	QTY depends on config (2-4)
22	Coupling ECO QSD 3/8" female V3	1053128	4	(POS.23 included)
28	Banjobolt 1/4"	710271	4	QTY depends on config (2-4)
29	Hose SWD QSD-Q EC-Oil Short	7000440	2	QTY: 1 for QSD50
30	Hose SWD QSD-Q EC-Oil Long	7000459	1	For QSD50
31	Hose kit - Lock	7000542	1	(POS.32, 33 included)
32	Hose Lock Long	7000434	1	
33	Hose Lock Short	7000433	1	
58	Hose GRD QSD-Q EC-Oil Short	7000443	2	QTY: 1 for QSD50
59	Hose GRD QSD-Q EC-Oil Long	7000460	1	For QSD50
60	Hose Extra 2 QSD-Q EC-Oil Long	7000462	1	For QSD50
61	Hose Extra 2 QSD-Q EC-Oil Short	7000445	2	QTY: 1 for QSD50 & EC-Oil Dbl.Extra
63	Hose Extra A/B QSD-Q EC-Oil	7000444	1	
64	Hose Extra A QSD-Q EC-Oil Long	7000461	1	
77	Adapter 401-04-06 90° (1/4"-3/8")	710154	2	QTY depends on config (1-2)
79	Banjobolt extended 1/4"	712214	2	
80	Adapter 402-04-04 45° (1/4")	7000104	2	



See instruction,
Standard components

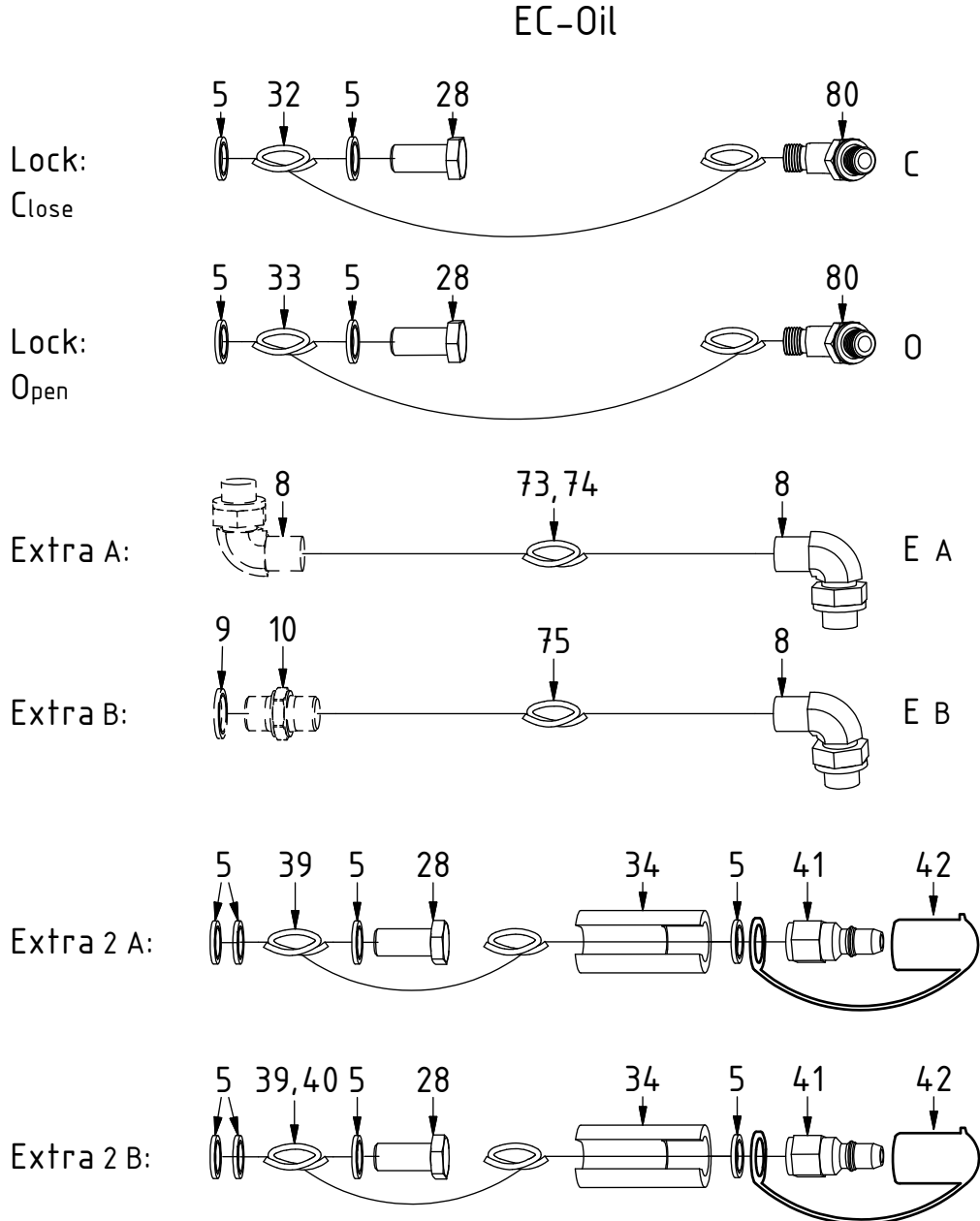
See instruction,
EC-Oil components

Dashed lines for overview, mounts on other pages/assemblies. indicates instruction. represents hose.

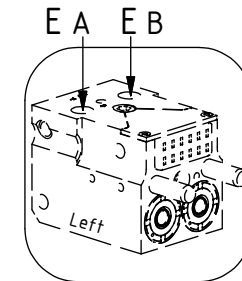
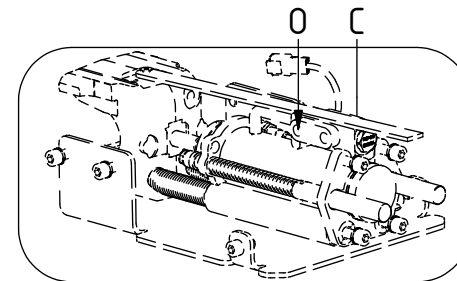
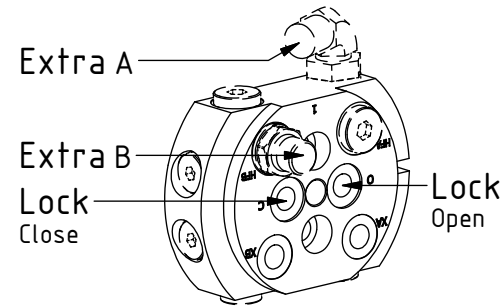
POS in order of assembly

Block depends on config.

EC209 - QSD45/QSD50



POS	DESCRIPTION	PART	QTY	COMMENTS
5	Washer GBR04 1/4	710702	12	QTY depends on config (6-14)
8	Adapter 401-06-06 90° (3/8")	710152	2	QTY depends on config (1-3)
9	Washer GBR06 3/8	710703	2	QTY depends on config (1-13)
10	Adapter 136-06-06 (3/8")	710106	1	
28	Banjobolt 1/4"	710271	4	QTY depends on config (2-4)
31	Hose kit - Lock	7000542	1	(POS.32, 33 included)
32	Hose Lock Long	7000434	1	
33	Hose Lock Short	7000433	1	
34	Hose holder QSD45/50	1038800	2	
37	Hose kit - EC-Oil QSD45	7000555	1	(POS.39, 73, 75 included)
38	Hose kit - EC-Oil QSD50	7000556	1	(POS.39, 40, 74, 75 included)
39	Hose GRD Short	7000435	2	QTY: 1 for QSD50
40	Hose GRD Long	7000449	1	For QSD50
41	Quick Coupler 1/4"	790111	2	
42	Dust protection 1/4"	790119	2	
73	Hose Extra A/B EC-Oil	740197	1	For QSD45
74	Hose Extra A EC-Oil Short	7000463	1	For QSD50
75	Hose Extra B EC-Oil	7000447	1	
80	Adapter 402-04-04 45° (1/4")	7000104	2	

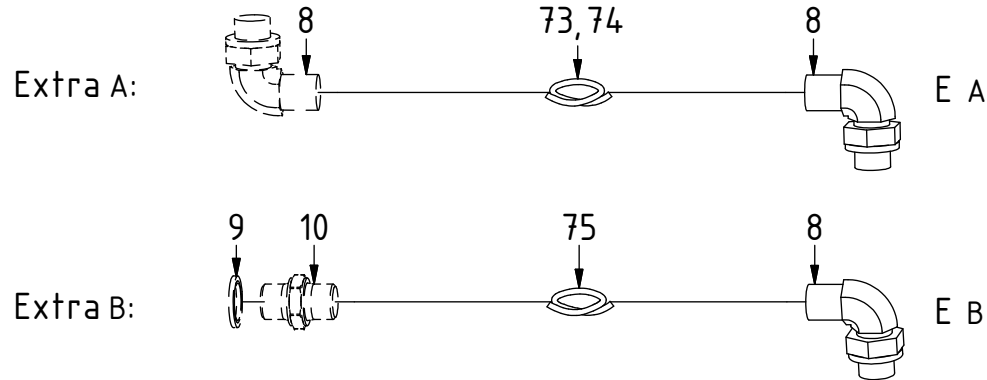
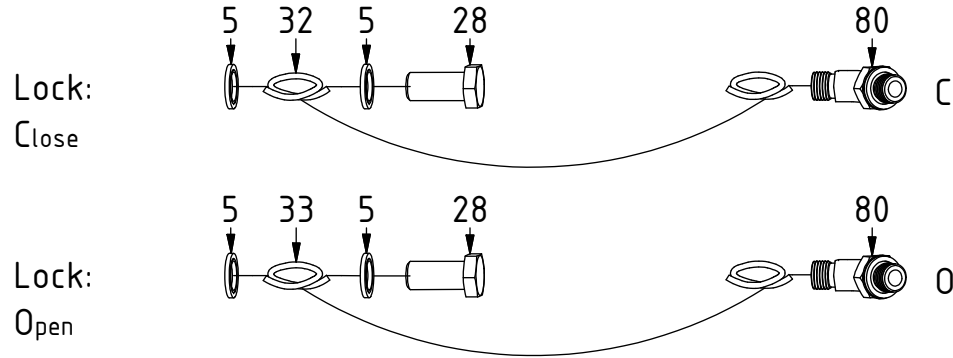


See instruction,
Standard components

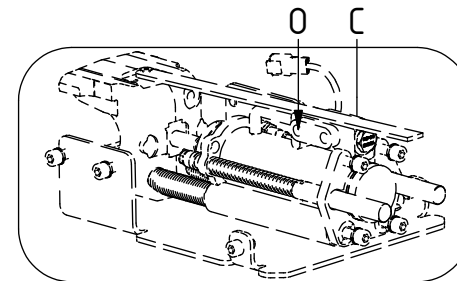
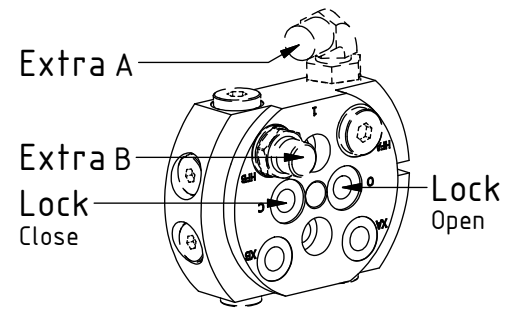
See instruction,
EC-Oil components

EC209 - QSD45/QSD50

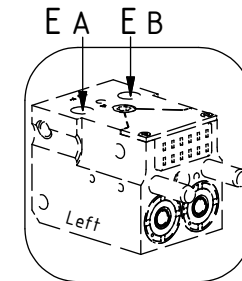
EC-Oil HF



POS	DESCRIPTION	PART	QTY	COMMENTS
5	Washer GBR04 1/4	710702	12	QTY depends on config (6-14)
8	Adapter 401-06-06 90° (3/8")	710152	2	QTY depends on config (1-3)
9	Washer GBR06 3/8	710703	2	QTY depends on config (1-13)
10	Adapter 136-06-06 (3/8")	710106	1	
28	Banjobolt 1/4"	710271	4	QTY depends on config (2-4)
31	Hose kit - Lock	7000542	1	(POS.32, 33 included)
32	Hose Lock Long	7000434	1	
33	Hose Lock Short	7000433	1	
71	Hose kit - EC-Oil HF QSD45	7000553	1	(POS.73, 75 included)
72	Hose kit - EC-Oil HF QSD50	7000554	1	(POS.74, 75 included)
73	Hose Extra A/B EC-Oil	740197	1	For QSD45
74	Hose Extra A EC-Oil Short	7000463	1	For QSD50
75	Hose Extra B EC-Oil	7000447	1	
80	Adapter 402-04-04 45° (1/4")	7000104	2	



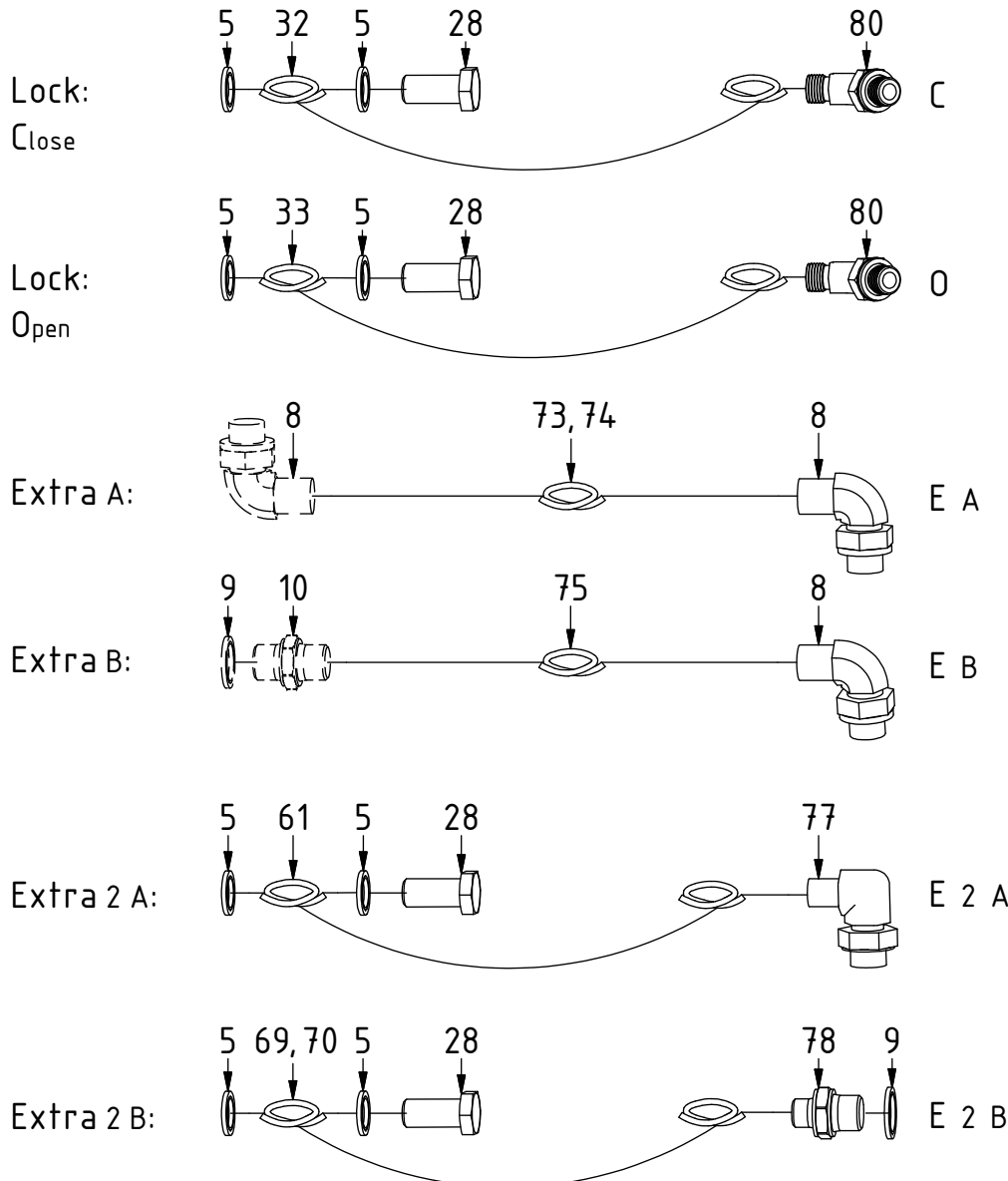
See instruction,
Standard components



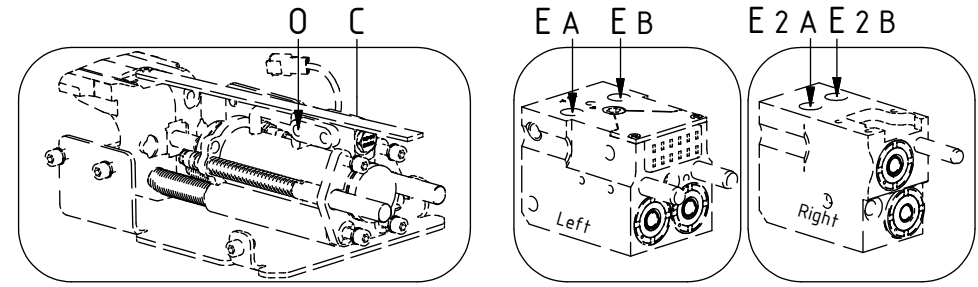
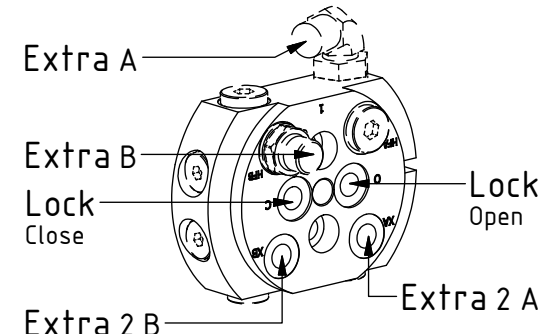
See instruction,
EC-Oil components

EC209 - QSD45/QSD50

EC-Oil Dbl.Extra



POS	DESCRIPTION	PART	QTY	COMMENTS
5	Washer GBR04 1/4	710702	12	QTY depends on config (6-14)
8	Adapter 401-06-06 90° (3/8")	710152	2	QTY depends on config (1-3)
9	Washer GBR06 3/8	710703	2	QTY depends on config (1-13)
10	Adapter 136-06-06 (3/8")	710106	1	
28	Banjobolt 1/4"	710271	4	QTY depends on config (2-4)
31	Hose kit - Lock	7000542	1	(POS.32, 33 included)
32	Hose Lock Long	7000434	1	
33	Hose Lock Short	7000433	1	
54	Hose kit - EC-Oil Dbl.Extra QSD45	7000551	1	(POS.61, 69, 73, 75 included)
55	Hose kit - EC-Oil Dbl.Extra QSD50	7000552	1	(POS.61, 70, 74, 75 included)
61	Hose Extra 2 QSD-Q EC-Oil Short	7000445	2	QTY: 1 for QSD50 & EC-Oil Dbl.Extra
69	Hose Extra 2 EC-Oil Short	7000448	2	QTY: 1 for QSD50 & QSD45 EC-Oil Dbl.Extra
70	Hose Extra 2 EC-Oil Long	7000450	1	For QSD50
73	Hose Extra A/B EC-Oil	740197	1	For QSD45
74	Hose Extra A EC-Oil Short	7000463	1	For QSD50
75	Hose Extra B EC-Oil	7000447	1	
77	Adapter 401-04-06 90° (1/4"-3/8")	710154	2	QTY depends on config (1-2)
78	Adapter 135-04-06 (1/4"-3/8")	710118	1	
80	Adapter 402-04-04 45° (1/4")	7000104	2	



See instruction,
Standard components

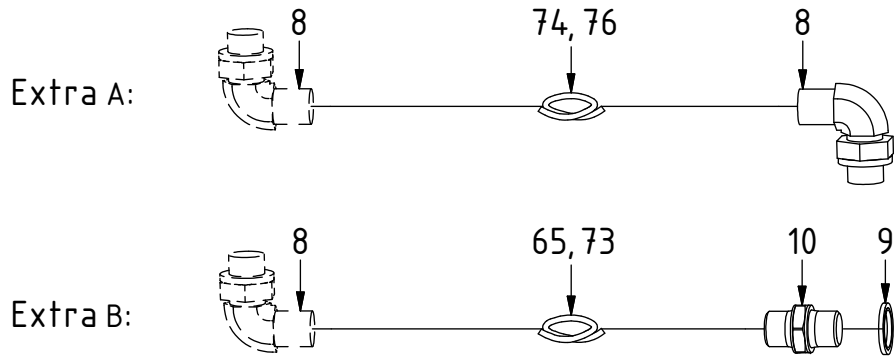
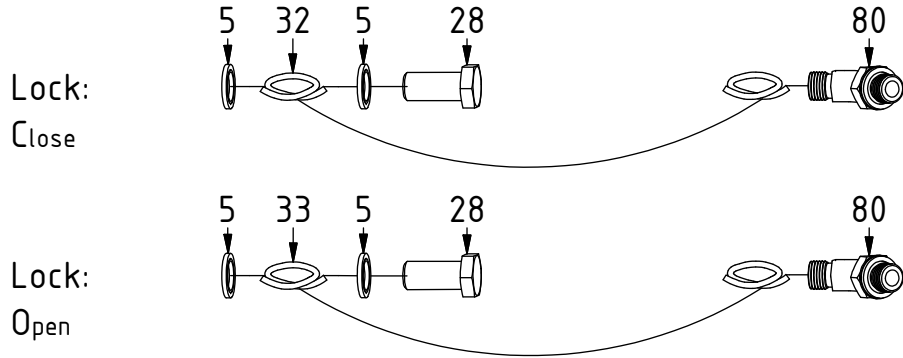
See instruction,
EC-Oil components

POS in order of assembly

Block depends on config

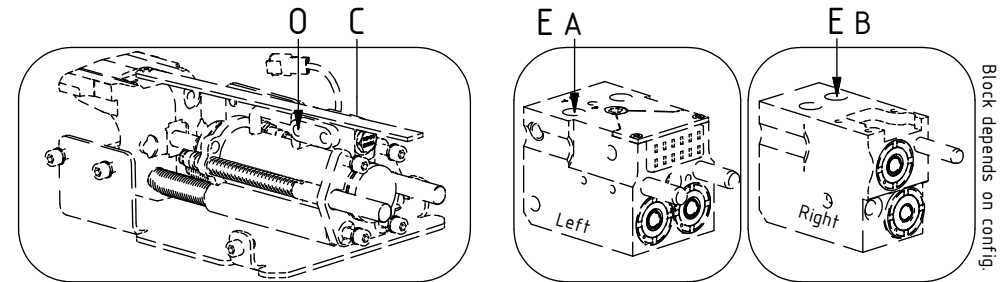
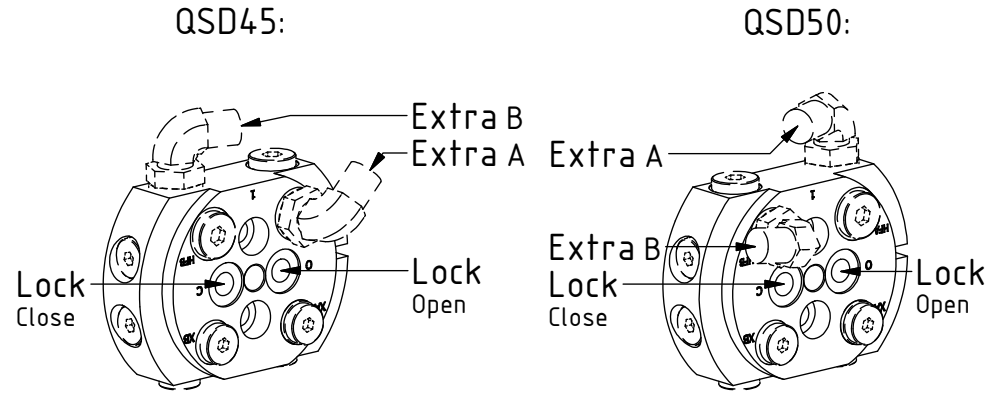
EC209 - QSD45/QSD50

EC-Oil 2Bl. HF



POS	DESCRIPTION	PART	QTY	COMMENTS
5	Washer GBR04 1/4	710702	12	QTY depends on config (6-14)
8	Adapter 401-06-06 90° (3/8")	710152	2	QTY depends on config (1-3)
9	Washer GBR06 3/8	710703	2	QTY depends on config (1-13)
10	Adapter 136-06-06 (3/8")	710106	1	
28	Banjobolt 1/4"	710271	4	QTY depends on config (2-4)
31	Hose kit - Lock	7000542	1	(POS.32, 33 included)
32	Hose Lock Long	7000434	1	
33	Hose Lock Short	7000433	1	
65	Hose Extra A QSD-Q EC-Oil Short	7000439	1	
73	Hose Extra A/B EC-Oil	740197	1	For QSD45
74	Hose Extra A EC-Oil Short	7000463	1	For QSD50
76	Hose Extra A EC-Oil Long	7000446	2	QTY: 1 for QSD50 & EC-Oil 2Bl. HF
80	Adapter 402-04-04 45° (1/4")	7000104	2	

POS in order of assembly



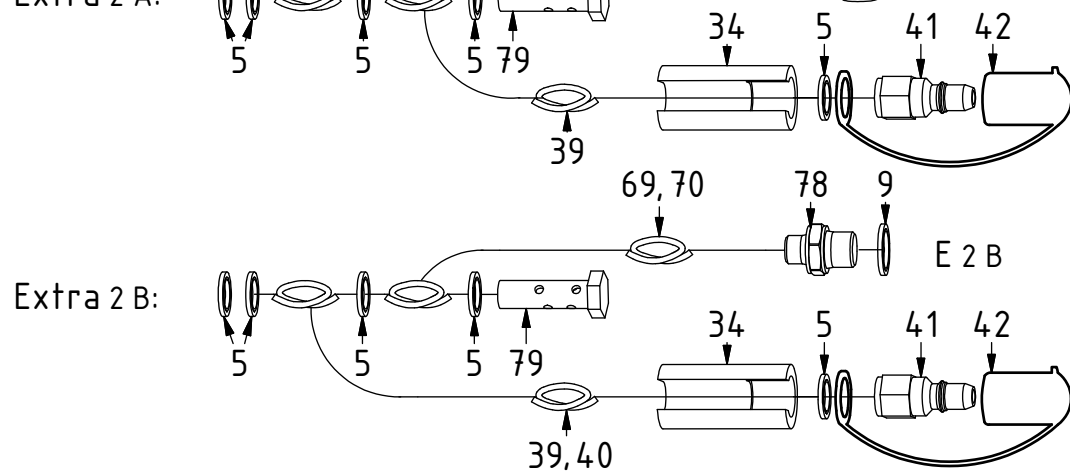
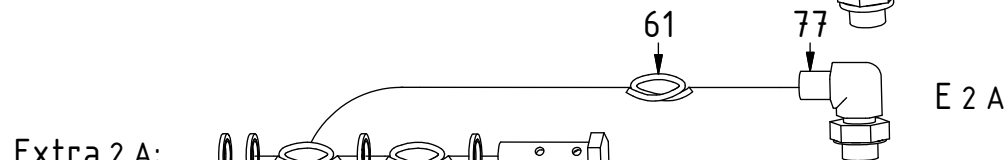
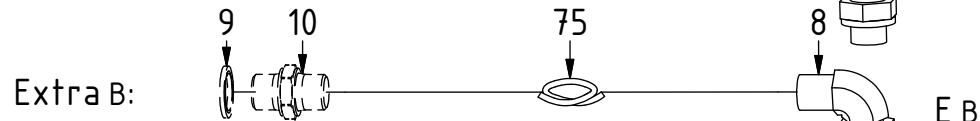
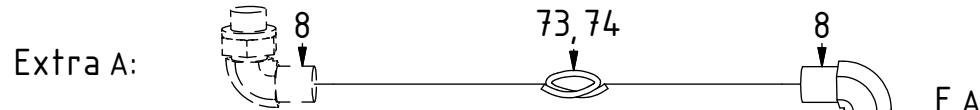
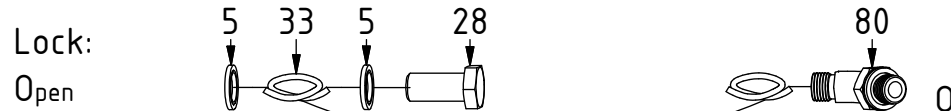
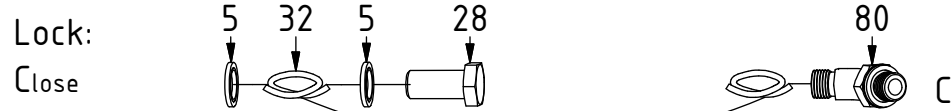
See instruction,
Standard components

See instruction,
EC-Oil components

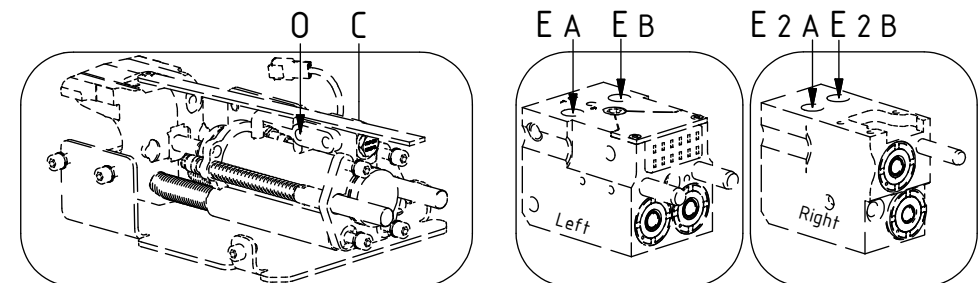
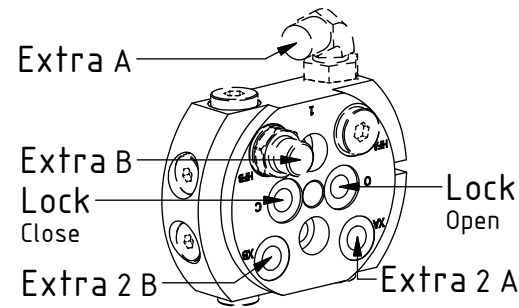
Block depends on config

EC209 - QSD45/QSD50

EC-Oil Dbl.Extra with Grab option



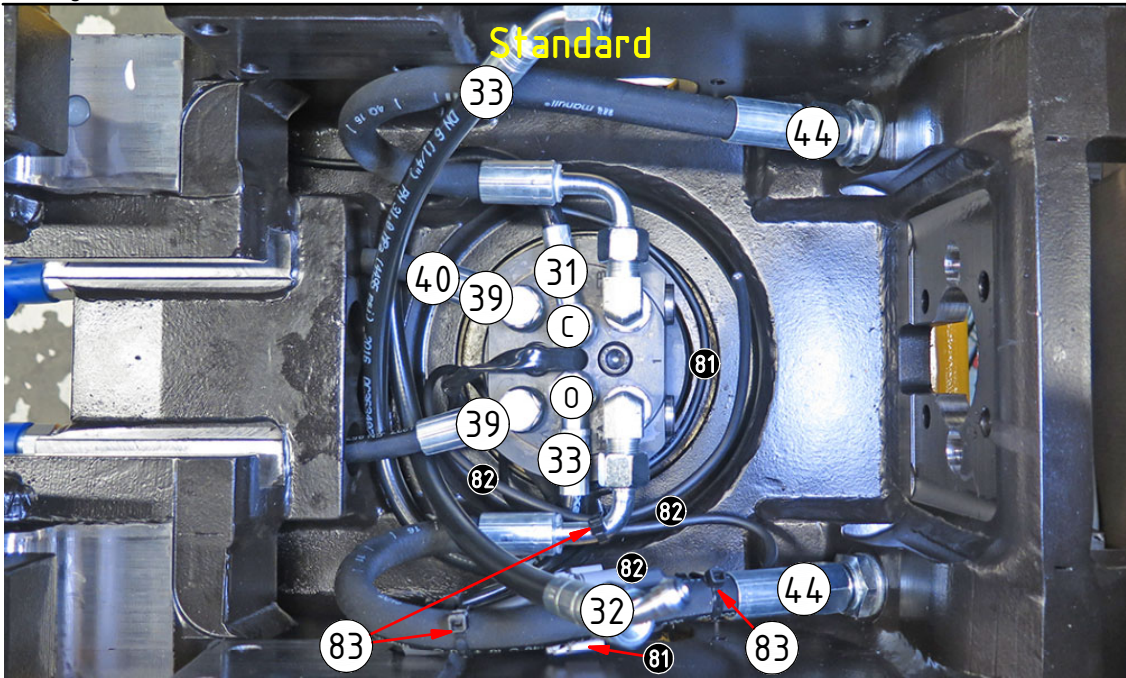
POS	DESCRIPTION	PART	QTY	COMMENTS
5	Washer GBR04 1/4"	710702	12	QTY depends on config (6-14)
8	Adapter 401-06-06 90° (3/8")	710152	2	QTY depends on config (1-3)
9	Washer GBR06 3/8"	710703	2	QTY depends on config (1-13)
10	Adapter 136-06-06 (3/8")	710106	1	
28	Banjobolt 1/4"	710271	4	QTY depends on config (2-4)
31	Hose kit - Lock	7000542	1	(POS.32, 33 included)
32	Hose Lock Long	7000434	1	
33	Hose Lock Short	7000433	1	
34	Hose holder QSD45/50	1038800	2	
39	Hose GRD Short	7000435	2	QTY: 1 for QSD50
40	Hose GRD Long	7000449	1	For QSD50
41	Quick Coupler 1/4"	790111	2	
42	Dust protection 1/4"	790119	2	
61	Hose Extra 2 QSD-Q EC-Oil Short	7000445	2	QTY: 1 for QSD50 & EC-Oil Dbl.Extra
69	Hose Extra 2 EC-Oil Short	7000448	2	QTY: 1 for QSD50 & QSD45 EC-Oil Dbl.Extra
70	Hose Extra 2 EC-Oil Long	7000450	1	For QSD50
73	Hose Extra A/B EC-Oil	740197	1	For QSD45
74	Hose Extra A EC-Oil Short	7000463	1	For QSD50
75	Hose Extra B EC-Oil	7000447	1	
77	Adapter 401-04-06 90° (1/4"-3/8")	710154	2	QTY depends on config (1-2)
78	Adapter 135-04-06 (1/4"-3/8")	710118	1	
79	Banjobolt extended 1/4"	712214	2	
80	Adapter 402-04-04 45° (1/4")	7000104	2	



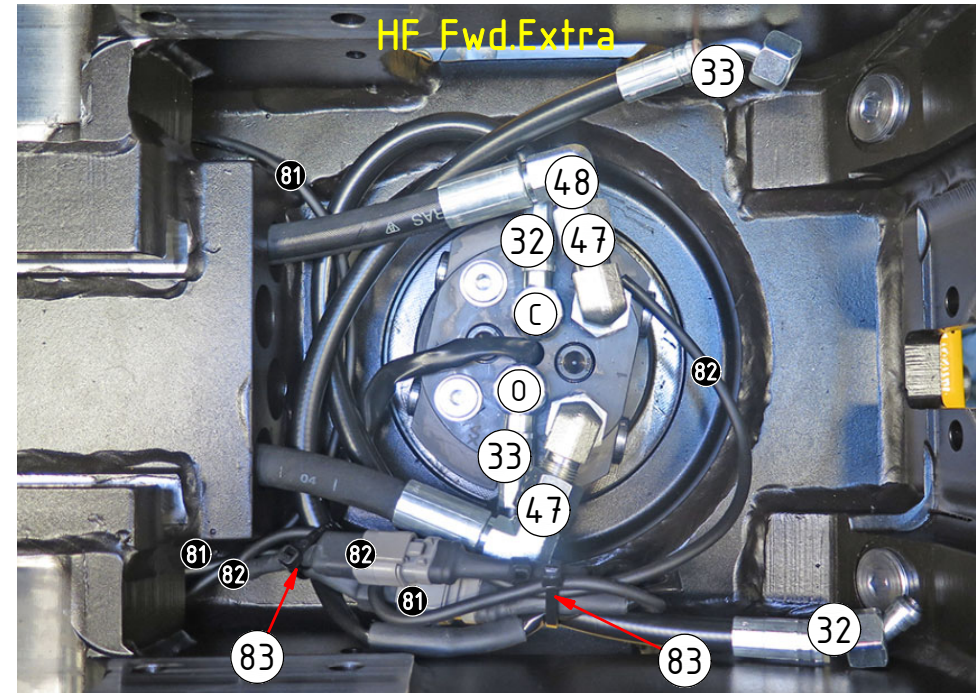
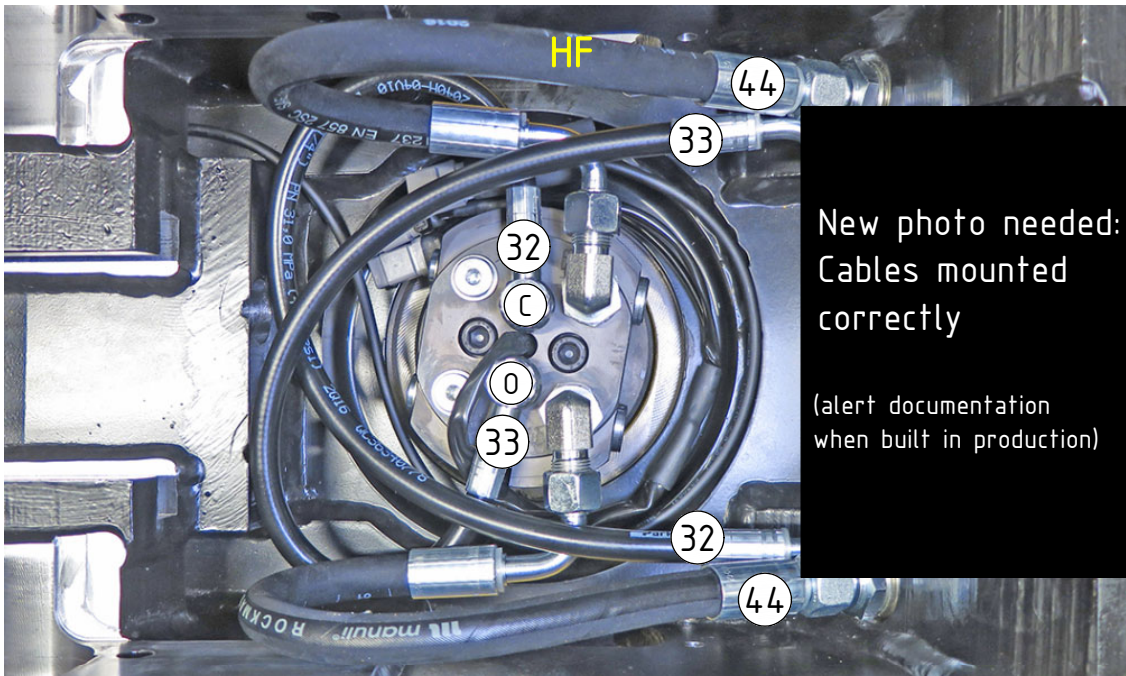
See instruction,
Standard components

See instruction,
EC-Oil components

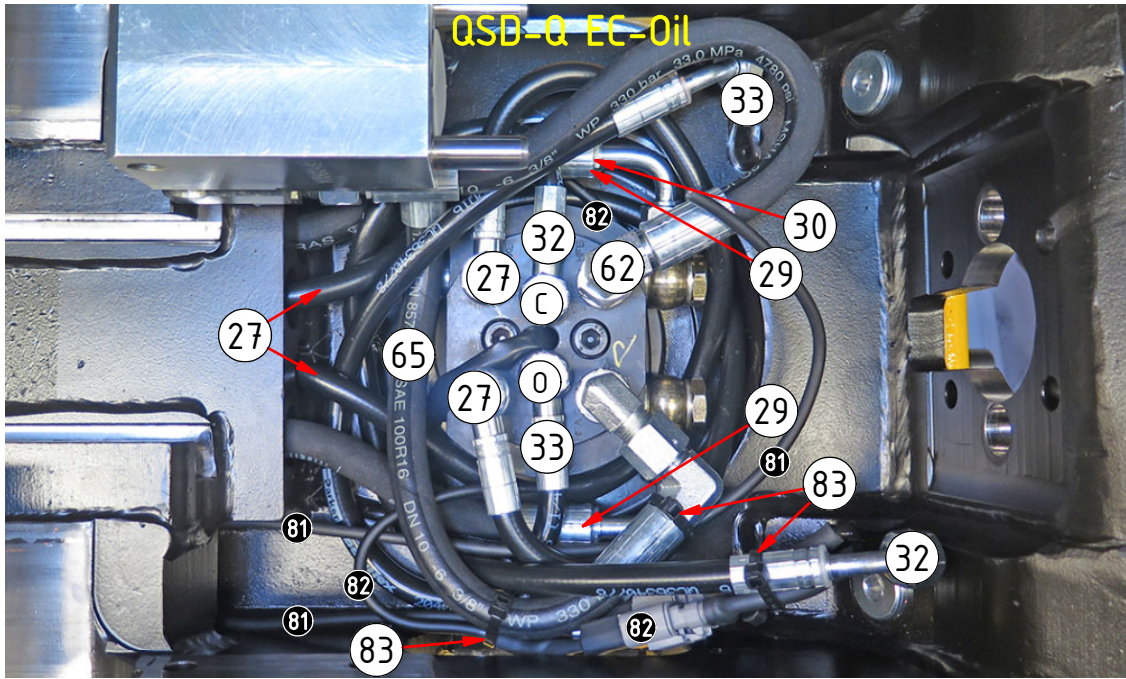
EC209 - QSD45/QSD50



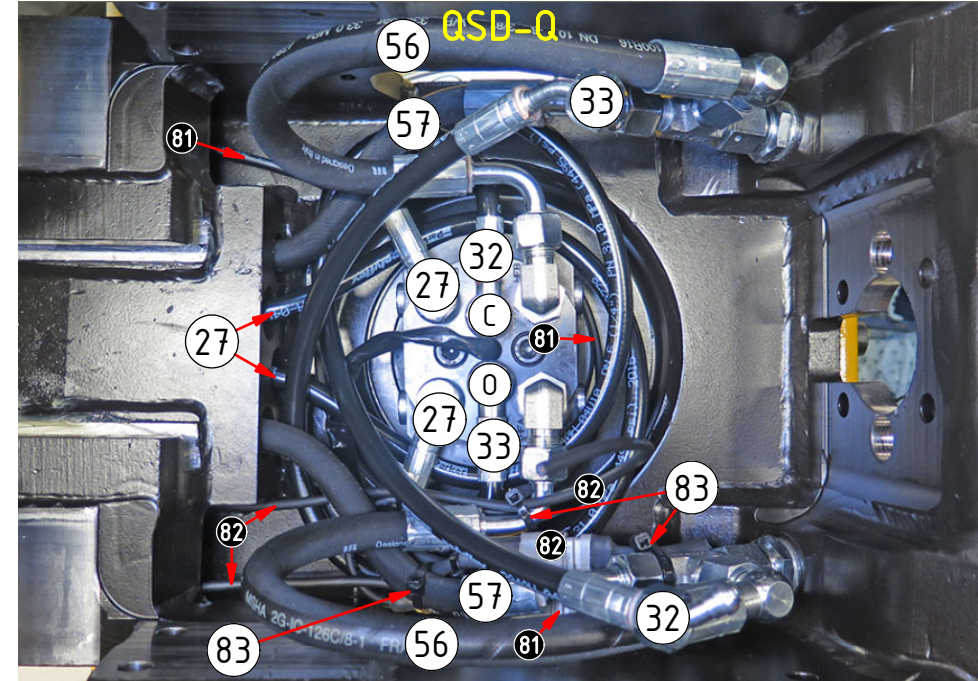
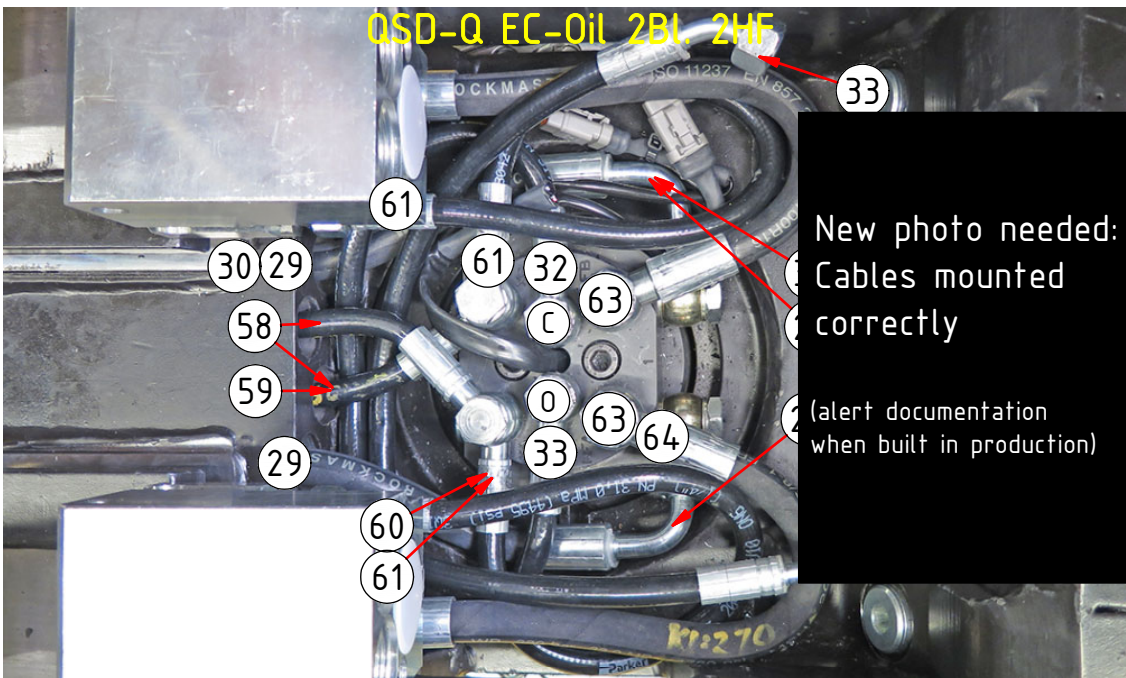
POS	DESCRIPTION	PART	QTY	COMMENTS
31	Hose kit - Lock	7000542	1	(POS.32, 33 included)
32	Hose Lock Long	7000434	1	
33	Hose Lock Short	7000433	1	
35	Hose kit - Std QSD45	7000543	1	(POS.39, 44 included)
36	Hose kit - Std QSD50	7000544	1	(POS.39, 40, 44 included)
39	Hose GRD Short	7000435	2	QTY: 1 for QSD50
40	Hose GRD Long	7000449	1	For QSD50
43	Hose kit - HF	7000545	1	(POS.44 included)
44	Hose Extra A/B	7000436	2	
45	Hose kit - HF Fwd.Extra QSD45	7000546	1	(POS.47 included)
46	Hose kit - HF Fwd.Extra QSD50	7000547	1	(POS.47, 48 included)
47	Hose Fwd.Extra Short	7000540	2	For HF Fwd.Extra QTY: 1 for QSD50
48	Hose Fwd.Extra Long	7000541	1	For QSD50
81	Cable from hook sensor			Part of Standard components
82	Cable from ejector sensor			Part of Standard components
83	Cable tie 4,8x360	1021586	2-3	



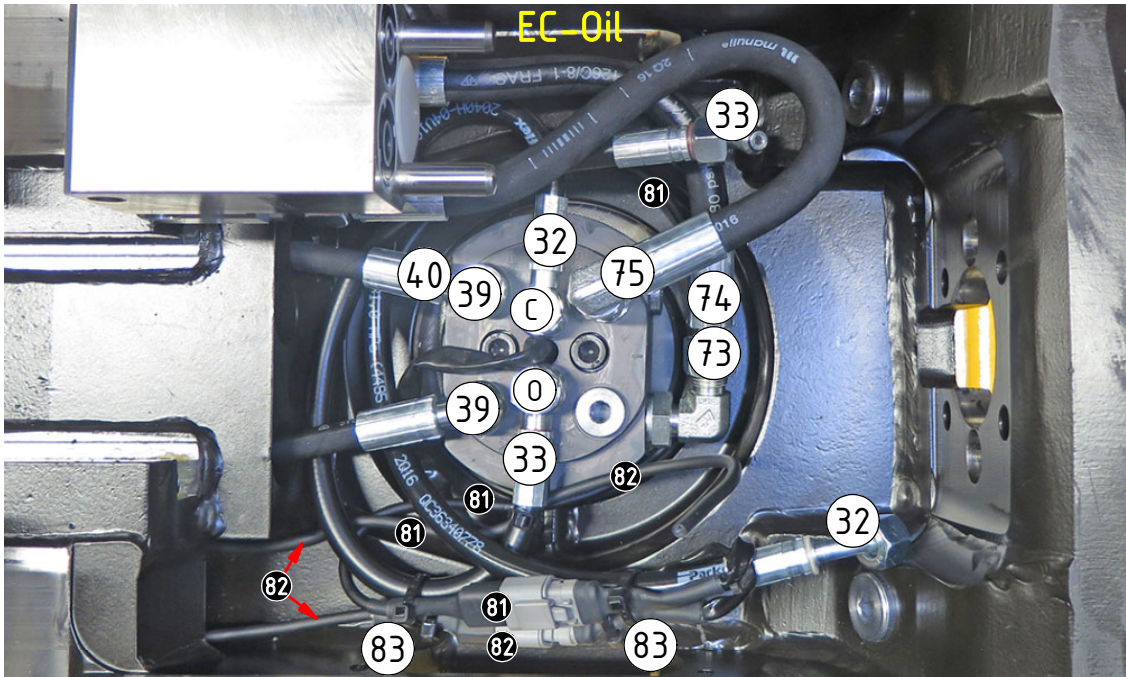
EC209 - QSD45/QSD50



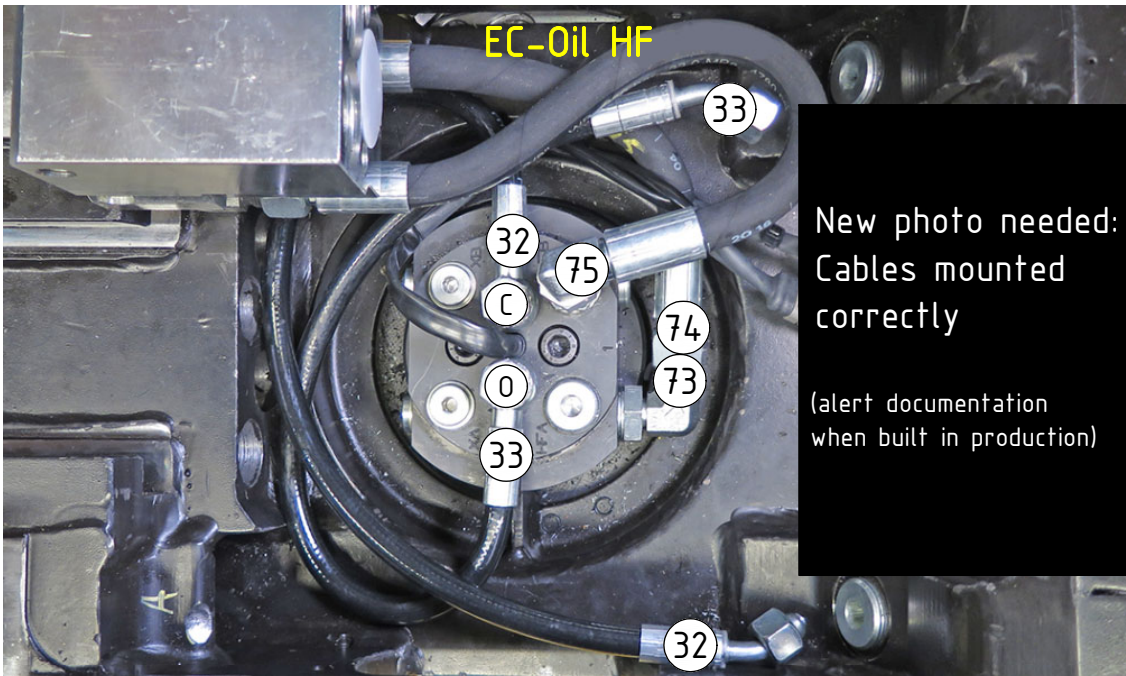
POS	DESCRIPTION	PART	QTY	COMMENTS
24	Hose kit - QSD-Q	7000548	1	(POS.27, 56, 57 included)
25	Hose kit - QSD-Q EC-Oil QSD45	7000549	1	(POS.27, 29, 62, 65 included)
26	Hose kit - QSD-Q EC-Oil QSD50	7000550	1	(POS.27, 29, 30, 62, 65 included)
27	Hose GRD QSD-Q	7000437	2	
29	Hose SWD QSD-Q EC-Oil Short	7000440	2	QTY: 1 for QSD50
30	Hose SWD QSD-Q EC-Oil Long	7000459	1	For QSD50
31	Hose kit - Lock	7000542	1	(POS.32, 33 included)
32	Hose Lock Long	7000434	1	
33	Hose Lock Short	7000433	1	
56	Hose Extra A/B QSD-Q	7000441	2	
57	Hose SWD QSD-Q	7000442	2	
58	Hose GRD QSD-Q EC-Oil Short	7000443	2	QTY: 1 for QSD50
59	Hose GRD QSD-Q EC-Oil Long	7000460	1	For QSD50
60	Hose Extra 2 QSD-Q EC-Oil Long	7000462	1	For QSD50
61	Hose Extra 2 QSD-Q EC-Oil Short	7000445	2	QTY: 1 for QSD50 & EC-Oil Dbl.Extra
62	Hose Extra B QSD-Q EC-Oil	7000438	1	
63	Hose Extra A/B QSD-Q EC-Oil	7000444	1	
64	Hose Extra A QSD-Q EC-Oil Long	7000461	1	
65	Hose Extra A QSD-Q EC-Oil Short	7000439	1	
81	Cable from hook sensor			Part of Standard components
82	Cable from ejector sensor			Part of Standard components
83	Cable tie 4,8x360	1021586	2-3	



EC209 - QSD45/QSD50



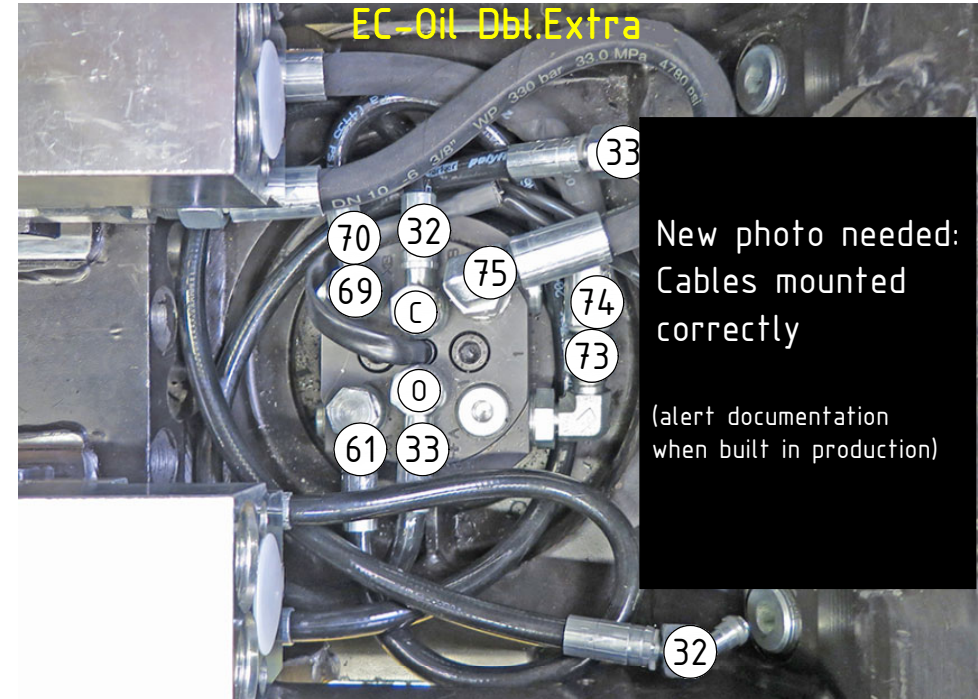
POS	DESCRIPTION	PART	QTY	COMMENTS
31	Hose kit - Lock	7000542	1	(POS.32, 33 included)
32	Hose Lock Long	7000434	1	
33	Hose Lock Short	7000433	1	
37	Hose kit - EC-Oil QSD45	7000555	1	(POS.39, 73, 75 included)
38	Hose kit - EC-Oil QSD50	7000556	1	(POS.39, 40, 74, 75 included)
39	Hose GRD Short	7000435	2	QTY: 1 for QSD50
40	Hose GRD Long	7000449	1	For QSD50
54	Hose kit - EC-Oil Dbl.Extra QSD45	7000551	1	(POS.61, 69, 73, 75 included)
55	Hose kit - EC-Oil Dbl.Extra QSD50	7000552	1	(POS.61, 70, 74, 75 included)
61	Hose Extra 2 QSD-Q EC-Oil Short	7000445	2	QTY: 1 for QSD50 & EC-Oil Dbl.Extra
69	Hose Extra 2 EC-Oil Short	7000448	2	QTY: 1 for QSD50 & QSD45 EC-Oil Dbl.Extra
70	Hose Extra 2 EC-Oil Long	7000450	1	For QSD50
71	Hose kit - EC-Oil HF QSD45	7000553	1	(POS.73, 75 included)
72	Hose kit - EC-Oil HF QSD50	7000554	1	(POS.74, 75 included)
73	Hose Extra A/B EC-Oil	740197	1	For QSD45
74	Hose Extra A EC-Oil Short	7000463	1	For QSD50
75	Hose Extra B EC-Oil	7000447	1	
81	Cable from hook sensor			Part of Standard components
82	Cable from ejector sensor			Part of Standard components
83	Cable tie 4,8x360	1021586	2-3	



EC-Oil HF

New photo needed:
Cables mounted correctly

(alert documentation when built in production)

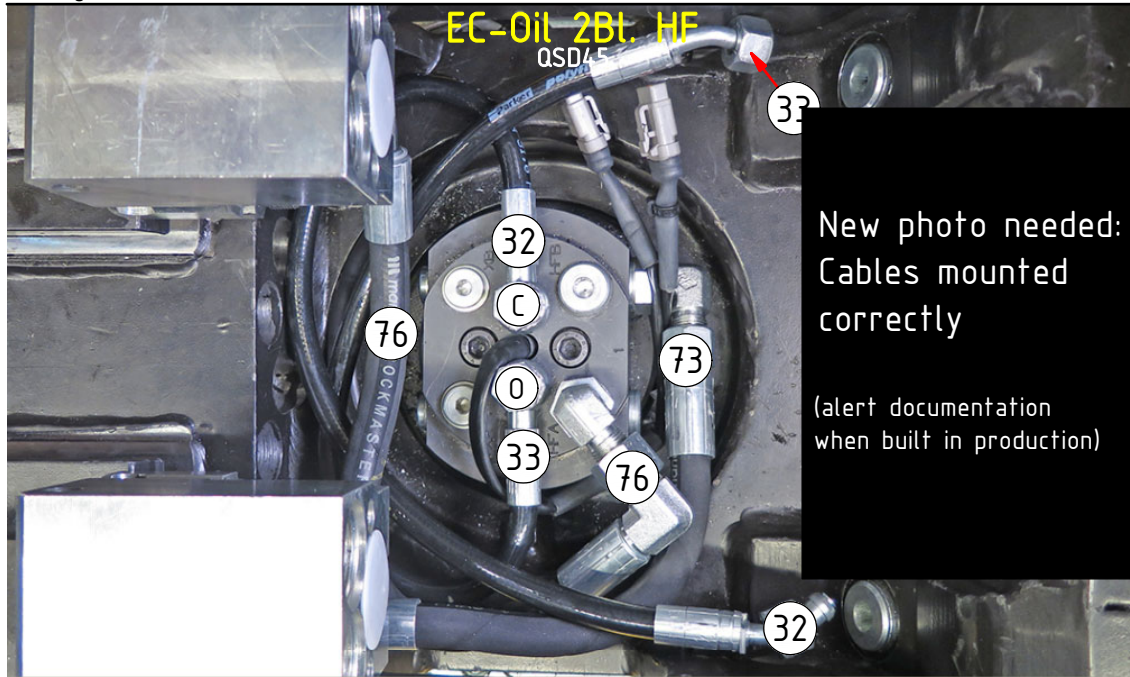


EC-Oil Dbl.Extra

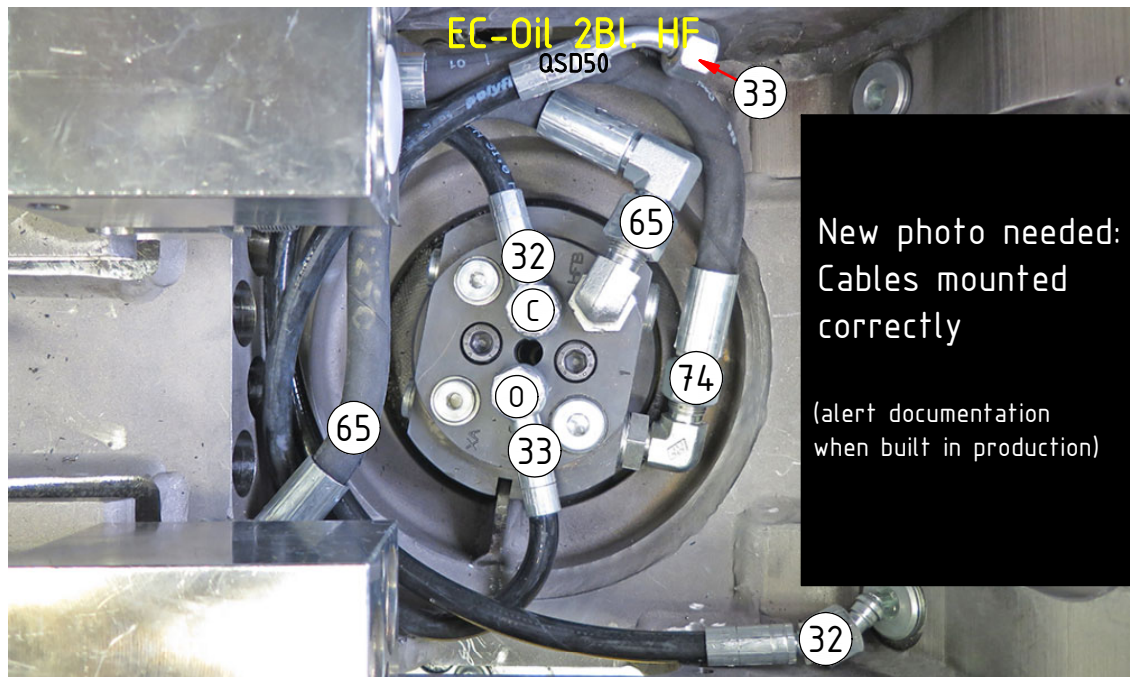
New photo needed:
Cables mounted correctly

(alert documentation when built in production)

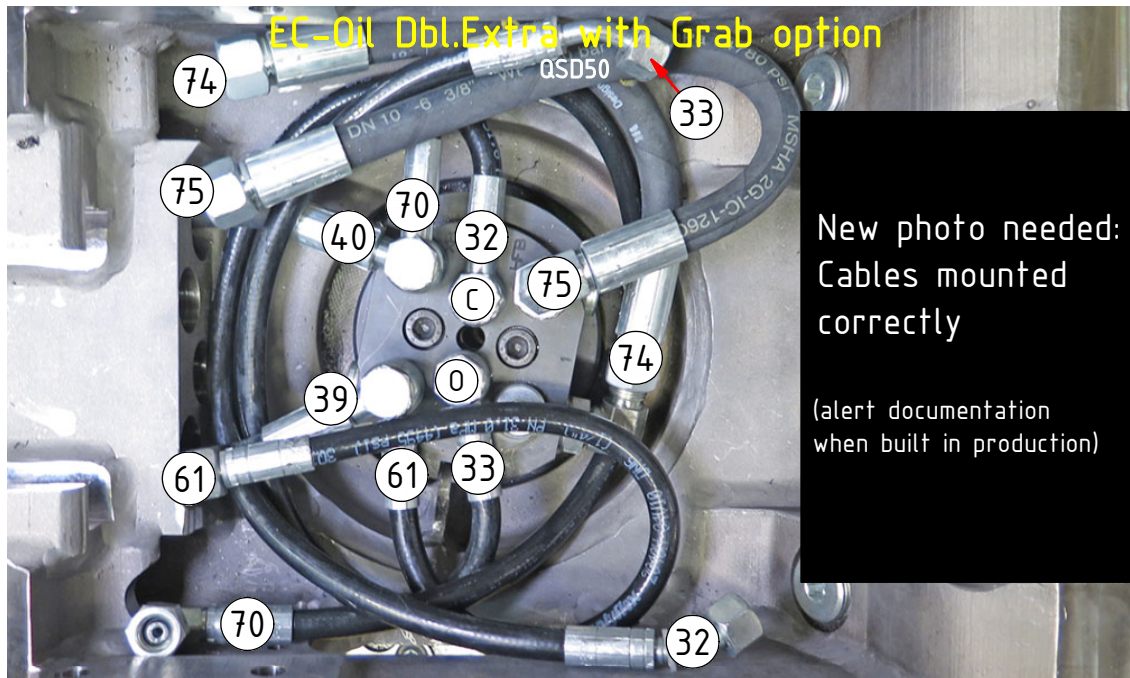
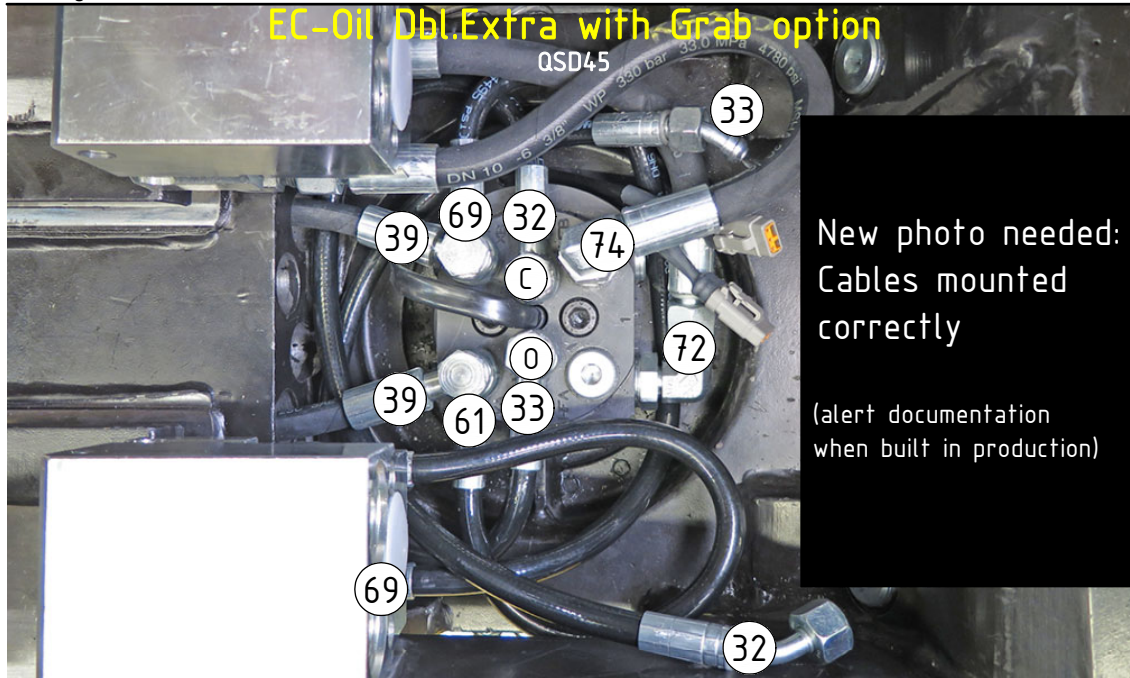
EC209 - QSD45/QSD50



POS	DESCRIPTION	PART	QTY	COMMENTS
31	Hose kit - Lock	7000542	1	(POS.32, 33 included)
32	Hose Lock Long	7000434	1	
33	Hose Lock Short	7000433	1	
65	Hose Extra A QSD-Q EC-Oil Short	7000439	1	
73	Hose Extra A/B EC-Oil	740197	1	For QSD45
74	Hose Extra A EC-Oil Short	7000463	1	For QSD50
76	Hose Extra A EC-Oil Long	7000446	2	QTY: 1 for QSD50 & EC-Oil 2Bl. HF
81	Cable from hook sensor			Part of Standard components
82	Cable from ejector sensor			Part of Standard components
83	Cable tie 4,8x360	1021586	2-3	



EC209 - QSD45/QSD50



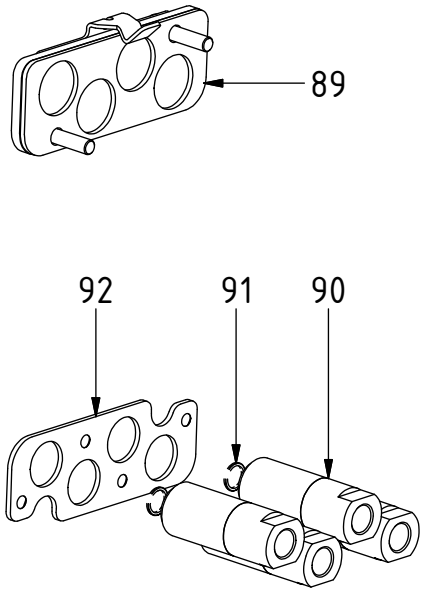
POS	DESCRIPTION	PART	QTY	COMMENTS
31	Hose kit - Lock	7000542	1	(POS.32, 33 included)
32	Hose Lock Long	7000434	1	
33	Hose Lock Short	7000433	1	
39	Hose GRD Short	7000435	2	QTY: 1 for QSD50
40	Hose GRD Long	7000449	1	For QSD50
61	Hose Extra 2 QSD-Q EC-Oil Short	7000445	2	QTY: 1 for QSD50 & EC-Oil Dbl.Extra
69	Hose Extra 2 EC-Oil Short	7000448	2	QTY: 1 for QSD50 & QSD45 EC-Oil Dbl.Extra
70	Hose Extra 2 EC-Oil Long	7000450	1	For QSD50
73	Hose Extra A/B EC-Oil	740197	1	For QSD45
74	Hose Extra A EC-Oil Short	7000463	1	For QSD50
75	Hose Extra B EC-Oil	7000447	1	
81	Cable from hook sensor			Part of Standard components
82	Cable from ejector sensor			Part of Standard components
83	Cable tie 4,8x360	1021586	2-3	

Related spare parts

POS	DESCRIPTION	PART	QTY	COMMENTS
22	Coupling ECO QSD 3/8" female V3	1053128	4	(POS.23 included)
23	Flat sealing for ECO 3/8" V3	1052976	4	
66	Mounting plate ECO QSD45/50 V2	1055295	1	
68	Protection ECO QSM45/GRD	1056107	1	
89	Protection ECO QSD45	1037465	1	Replaced by POS.68 from 2018-09
90	Coupling ECO QSD 3/8" female	1035724	4	Replaced by POS.22 from 2020-01
91	O-ring 12,42x1,78 PU - ECO45 3/8"	712417	4	Replaced by POS.23 from 2020-01
92	Mounting plate ECO QSD45/50	1041017	1	Replaced by POS.66 from 2020-01

POS in order of assembly

QSD-Q



O-rings between versions are not compatible