

COVERSHEET

Planned document changes:

Briefly:

2026-04-16. Correct QTY for POS.37: QTY 2.

2025-09-09. Update POS.48: 790185 no longer included. Hose is still 790176.
790175 replaced by 7001521, (alternative 45°: 7001980, depends on spicific hitch model).


2024-11-15. Add to POS.67: Torque: 217Nm.


2024-09-12. Remove comment from POS.46.

Document changes:

Date:	Change:	Rev. after change:
2024-08-15	ss10 (DC2/SVAB) & ss9 ECO blocks updated. DC3 cable updated.	M
2024-02-16	DC3 added.	L
2023-02-06	New ECO std. configurations from 2023.	K
2022-06-20	Spare parts updated.	J
2021-10-04	Part no for lubrication kit corrected.	I
2020-12-01	Alternative adapter for lock hose added.	H
2020-05-13	ECO couplings replaced. DC2 option 5hyd added.	G
2019-12-09	Layout/irrelevant.	F
2019-11-13	ECO "HF" added. ePS cables added. Atlas Höglandet added.	E
2018-08-29	DC2 Machine cable replaced.	D
2018-06-21	New lock hoses added.	C
2018-02-28	Layout/irrelevant.	B
2018-01-04	ECO photos corrected.	A
2017-11-28	New document.	-

Readers note:

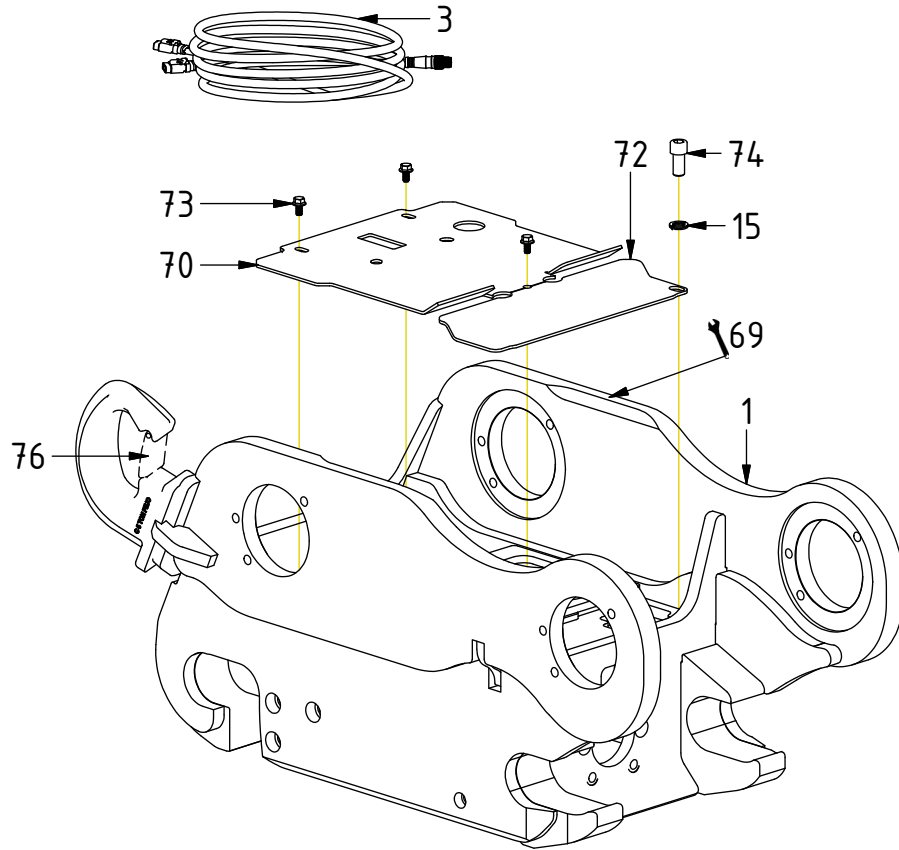
 Indicates instruction.

 Represents Hose.

Dashed lines for overview, mounts
on other pages/assemblies.

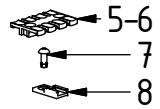
- 5-6
- 7
- 8
- 9
- 10

Without EC-Oil



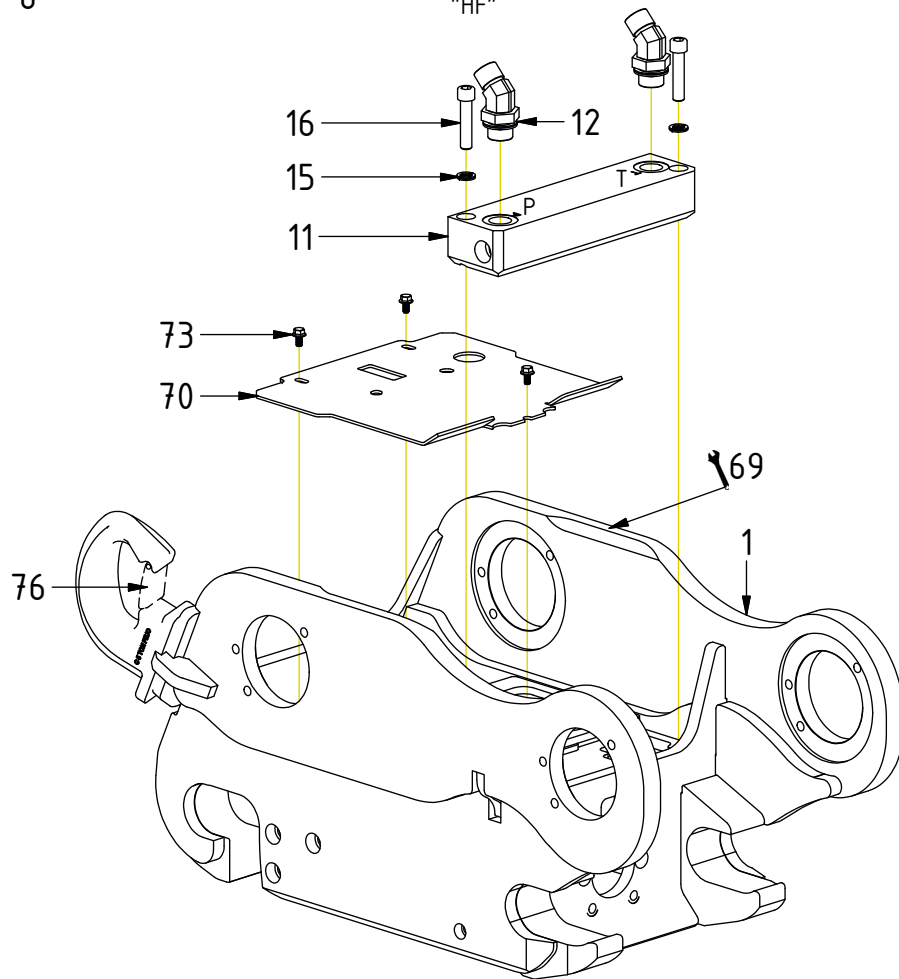
POS	DESCRIPTION	PART	QTY	COMMENTS
1	Quick hitch is selected via engcon			(Machine dependent)
3	Cable QS - QLM - Quick hitch	842149	1	Attach to QS sensors
5	Strain relief plate ZL60	8000703	1	
6	Strain relief plate ZL87	8000704	1	
7	Blind rivet 4,0x12,3 DIN7337	6000294	10	
8	Holder Deutsch coupling	810662	6	
9	Screw K6S M5x8 10.9 FZB	611801	4	QTY depends on config.
10	Rubber steel clamp ø6	6000027	1	
15	Washer NL 12mm	611042	1	QTY: 2 for ECO "HF"
69	Punch serial number into hitch			
70	Coverplate V4 - ECO HF & w/o ECO	1052669	1	
72	Coverplate V4 - w/o HF & w/o ECO	1055335	1	
73	Screw M6SF 8x12H Riffled	6000120	3	QTY: 2 for ECO w/o "HF"
74	Screw MC6S M12x25 12.9 ZFSHL	6000164	1	
76	Safety latch	404251	1	Lifting hook spare part

POS in order of assembly



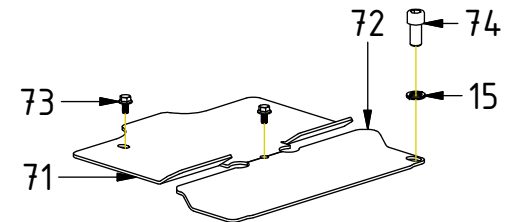
EC-Oil

"HF"



POS	DESCRIPTION	PART	QTY	COMMENTS
1	Quick hitch is selected via engcon			(Machine dependent)
2	For Atlas Höglandets			See p.15 for instruction
5	Strain relief plate ZL60	8000703	1	
6	Strain relief plate ZL87	8000704	1	
7	Blind rivet 4,0x12,3 DIN7337	6000294	10	
8	Holder Deutsch coupling	810662	6	
11	Connection block QS60 ECO W "HF"	1052639	1	For ECO "HF" (Not compatible with ss9)
12	Adapter 45° 402-12-12 (3/4")	712220	2	
15	Washer NL 12mm	611042	1	QTY: 2 for ECO "HF"
16	Screw MC6S M12x55 12.9 ZFSL	6000155	2	
69	Punch serial number into hitch			
70	Coverplate V4 - ECO HF & w/o ECO	1052669	1	
71	Coverplate V4 - ECO w/o HF	1054935	1	
72	Coverplate V4 - w/o HF & w/o ECO	1055335	1	
73	Screw M6SF 8x12H Riffled	6000120	3	QTY: 2 for ECO w/o "HF"
74	Screw MC6S M12x25 12.9 ZFSL	6000164	1	
76	Safety latch	404251	1	Lifting hook spare part

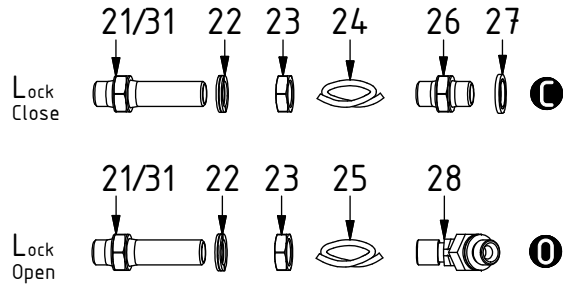
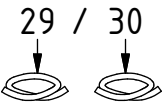
Without "HF"



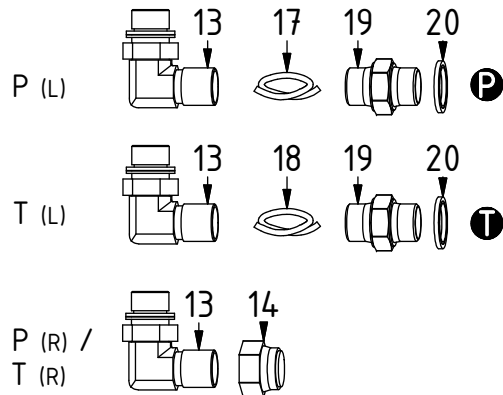
POS in order of assembly

Hoses

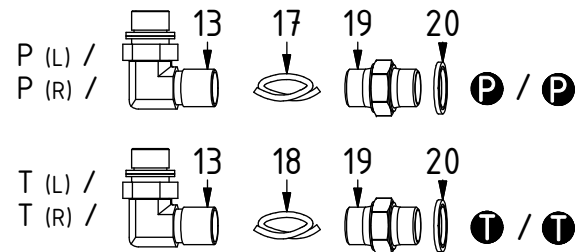
Liebherr / Lännen:



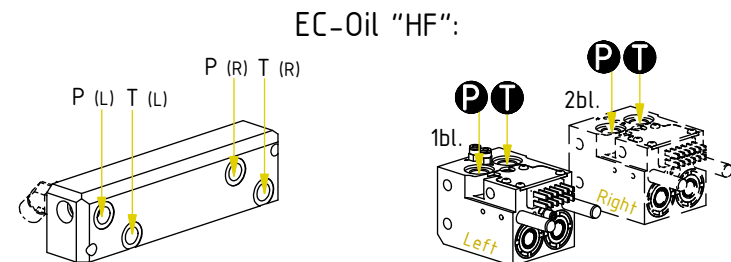
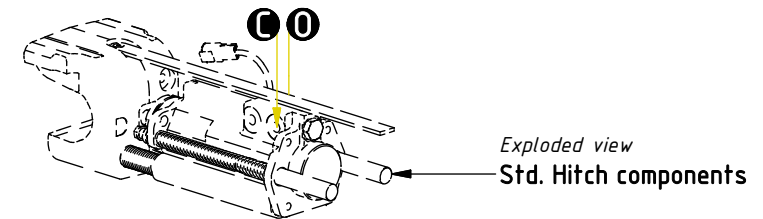
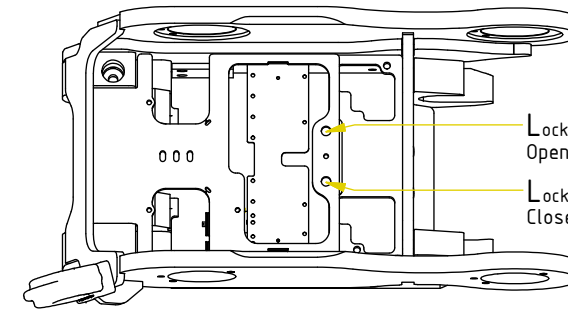
EC-Oil "HF" 1bl.



EC-Oil "HF" 2bl.

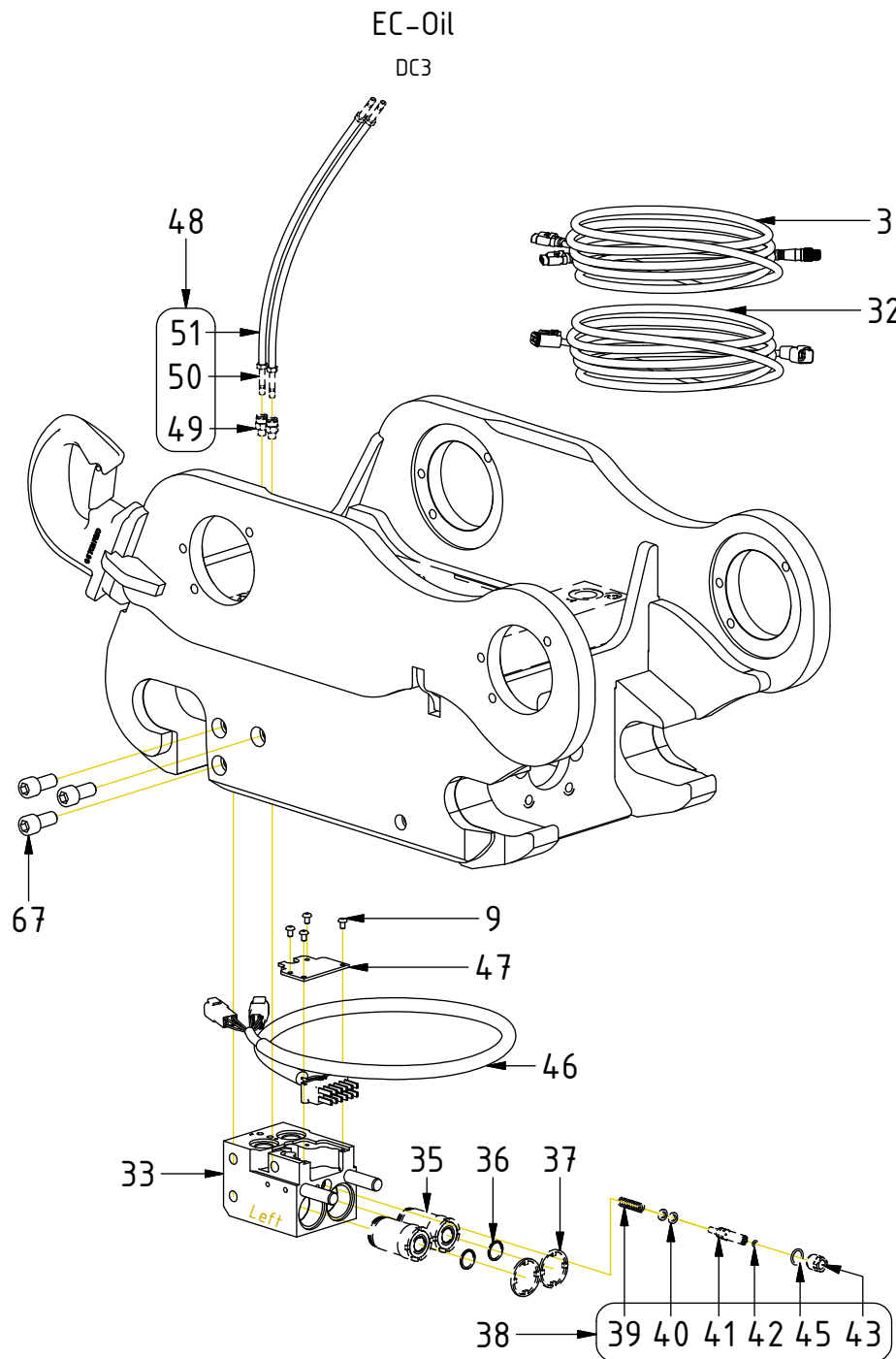


POS	DESCRIPTION	PART	QTY	COMMENTS
2	For Atlas Högländets			See p.15 for instruction
13	Adapter 401-08-08 90° (1/2")	710156	4	
14	Protective Bonnet 155-08 (1/2")	711627	2	
17	Hose Long Connect.block ECO60W	7000955	1	QTY: 2 for 2bl.
18	Hose Short Connect.block ECO60W	7000956	1	QTY: 2 for 2bl.
19	Adapter 136-08-08 (1/2")	710108	2	QTY: 4 for 2bl.
20	Washer GBR08 1/2	710704	2	QTY: 4 for 2bl.
21	Adapter 1260-04-40 (1/4")	710261	2	
22	Washer NL 1/2"	611096	2	
23	Counternut 1270-04 (1/4")	710250	2	
24	Hose Lock Close	7000954	1	
25	Hose Lock Open	7000953	1	
26	Adapter 138-04-29 (1/4")	710135	1	
27	Washer GBR04 1/4	710702	1	
28	Adapter 45° 402-04-04(1/4")	7000104	1	
29	Hose Lock 2 - Liebherr	7001231	2	For Liebherr, add this to POS.21
30	Hose Lock 2 - Lännen		2	For Lännen, add this to POS.21
31	Alternative adapter 90° 1264-04-04	7000847	2	For colliding insert/weld. See p.15

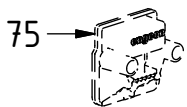


POS in order of assembly

POS in order of assembly

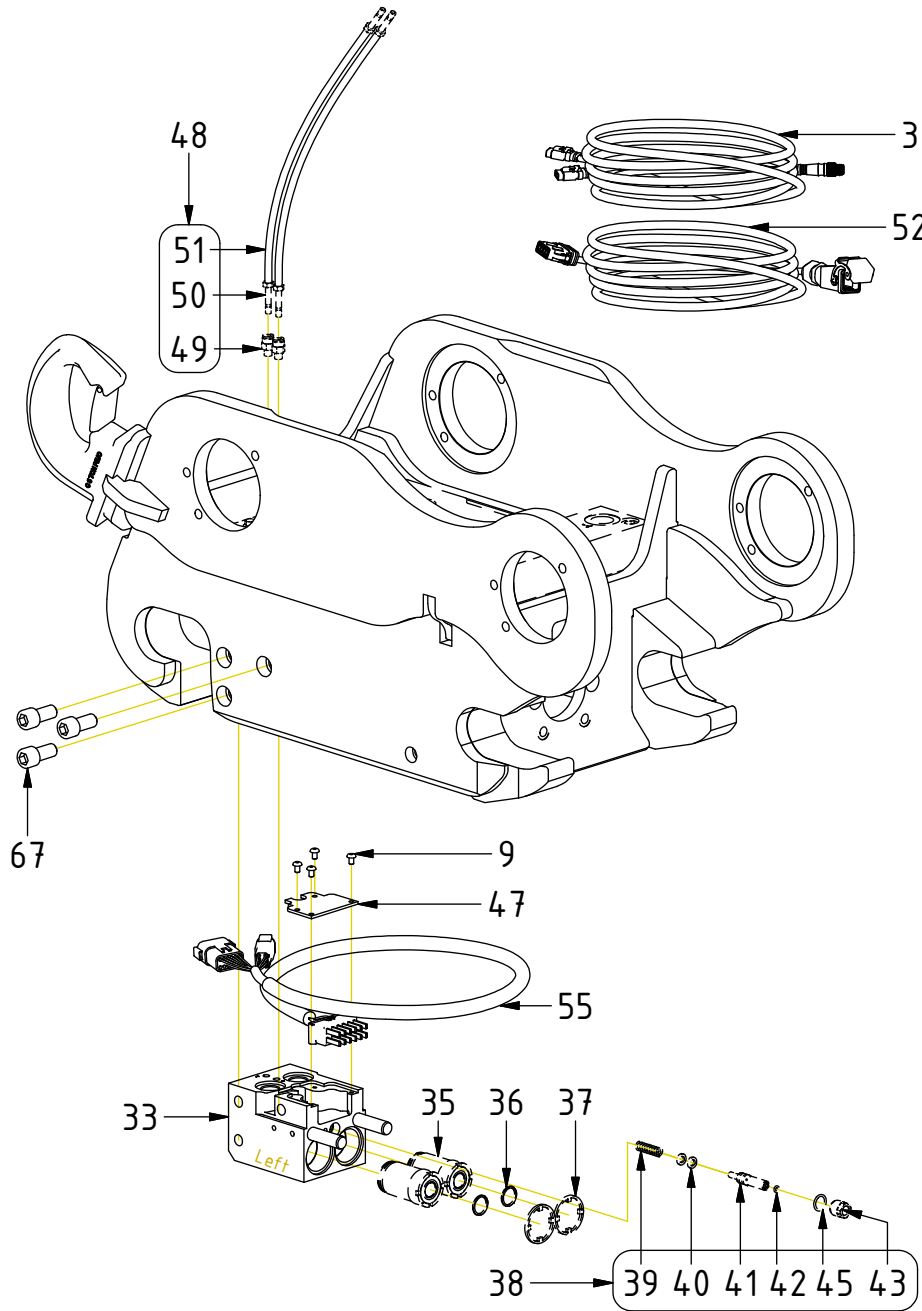


POS	DESCRIPTION	PART	QTY	COMMENTS
3	Cable QS - QLM - Quick hitch	842149	1	Attach to QS sensors
9	Screw K6S M5x8 10.9 FZB	611801	4	QTY depends on config.
32	Cable ECO W DC3 3m (4S, 4P)	8002297	1	Attach to 4P
33	Block ECO60W Hitch 2hy.1cl. Compl.	1074022	1	(POS.34-35, 37-38 incl.)
34	Block ECO60 W Hitch	1074019	1	
35	Coupling ECO W 1/2" V3	1054580	2	Torque: 60Nm. (POS.36 incl.)
36	Flat sealing for ECO W 1/2" V3	1050018	2	
37	Dirt protection block ECO 1/2"	1028229	4	
38	Lubrication kit ECO W V2	1050794	1	(POS.39-45 incl.)
39	Spring 6058	1024113	1	
40	Piston sealing KPOR130 12x7,1x2,2	1024112	2	(O-ring incl. with seal ring)
41	Grease piston	1024111	1	
42	O-ring 3,69x1,78	1024115	1	
43	Nut grease piston	1047688	1	Wrap with thread sealing tape
44	O-ring 9,25x1,78	712429	1	Located inside nut
45	O-ring 14x2	7000767	1	
46	Power plug ECO W Hitch (4P, 6P)	8002155	1	Cable gland torque: 6Nm
47	Coverplate block ECO60 W Hitch	1074691	1	
48	Hose kit - lubricant ECO W	7000514	1	(POS.49-51 incl.)
49	Straight Push-in M8x1	790185	2	
50	Pipe stub straight Push-in	790175	2	
51	Hose 2m - lubricant ECO	790176	2	
67	Screw MC6S M14x30 12.9 ZFSHL	6000197	3	Loxal 83-52
75	Transport Protection ECO-Block	1047716	1	Part of make up



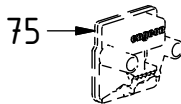
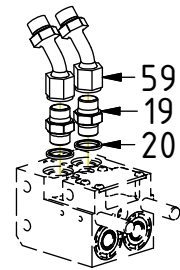
POS in order of assembly

EC-Oil
DC2 Std. config.



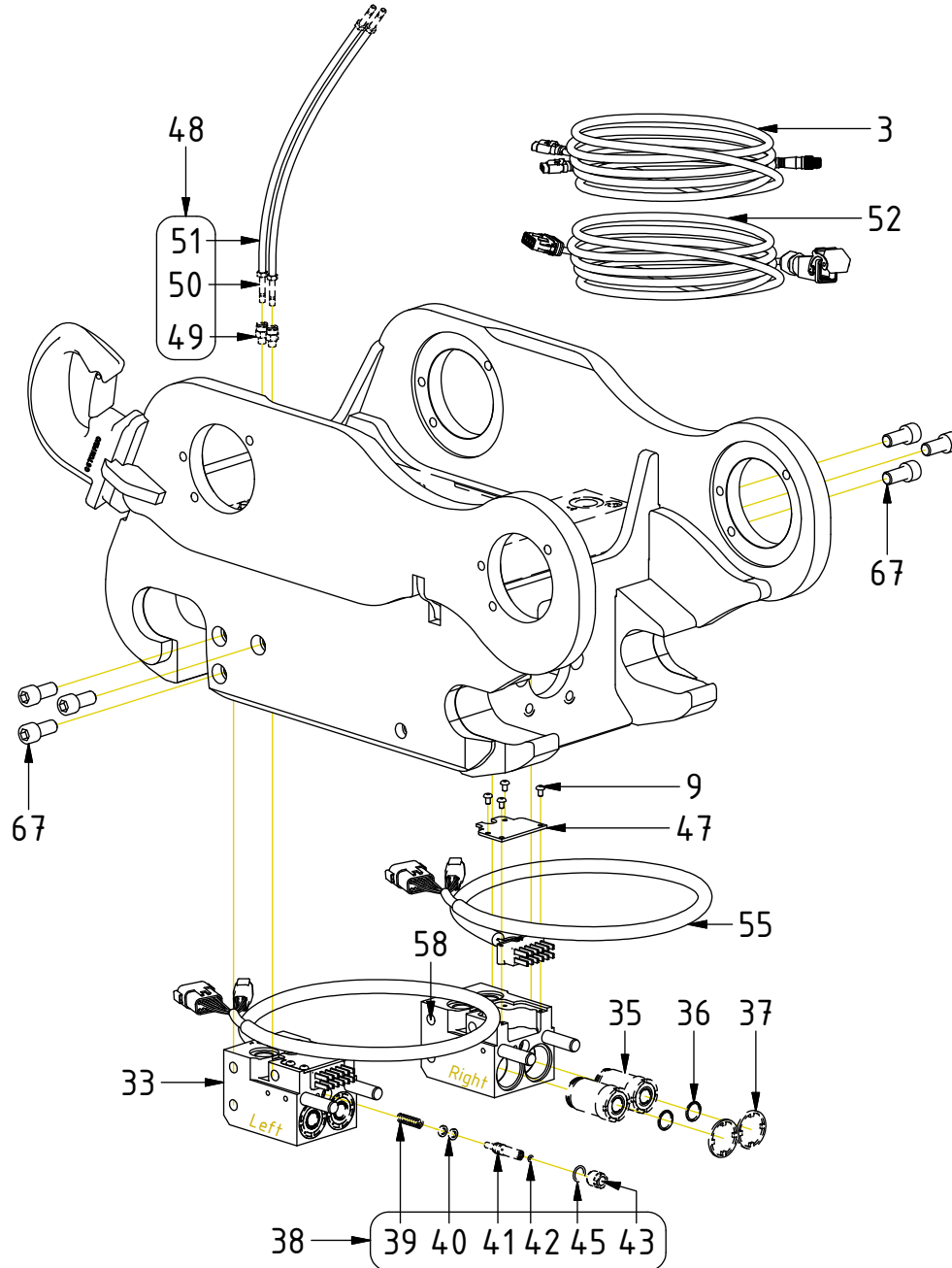
POS	DESCRIPTION	PART	QTY	COMMENTS
2	For Atlas Höglandets			See p.15 for instruction
3	Cable QS - QLM - Quick hitch	842149	1	Attach to QS sensors
9	Screw K6S M5x8 10.9 FZB	611801	4	QTY depends on config.
19	Adapter 136-08-08 (1/2")	710108	2	QTY: 4 for 2bl.
20	Washer GBR08 1/2	710704	2	QTY: 4 for 2bl.
33	Block ECO60W Hitch 2hy.1cl. Compl.	1074022	1	(POS.34-35, 37-38 incl.)
34	Block ECO60 W Hitch	1074019	1	
35	Coupling ECO W 1/2" V3	1054580	2	Torque: 60Nm. (POS.36 incl.)
36	Flat sealing for ECO W 1/2" V3	1050018	2	
37	Dirt protection block ECO 1/2"	1028229	4	
38	Lubrication kit ECO W V2	1050794	1	(POS.39-45 incl.)
39	Spring 6058	1024113	1	
40	Piston sealing KPOR130 12x7,1x2,2	1024112	2	(O-ring incl. with seal ring)
41	Grease piston	1024111	1	
42	O-ring 3,69x1,78	1024115	1	
43	Nut grease piston	1047688	1	Wrap with thread sealing tape
44	O-ring 9,25x1,78	712429	1	Located inside nut
45	O-ring 14x2	7000767	1	
47	Coverplate block ECO60 W Hitch	1074691	1	
48	Hose kit - lubricant ECO W	7000514	1	(POS.49-51 incl.)
49	Straight Push-in M8x1	790185	2	
50	Pipe stub straight Push-in	790175	2	
51	Hose 2m - lubricant ECO	790176	2	
52	Machine cable ECO60 W DC2	1048528	1	Attach to 12P
55	Power plug ECO W Hitch (12P, 6P)	1042243	1	Cable gland torque: 6Nm
59	Adapter 489-08-08 45° (1/2")	710166	2	QTY: 4 for 2bl. Loxeal 55-02
67	Screw MC6S M14x30 12.9 ZFSL	6000197	3	Loxeal 83-52
75	Transport Protection ECO-Block	1047716	1	Part of make up

Without "HF":



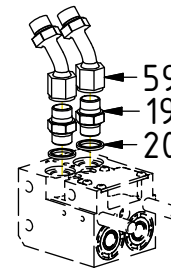
POS in order of assembly

EC-Oil
DC2 Option 2bl.

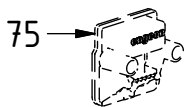
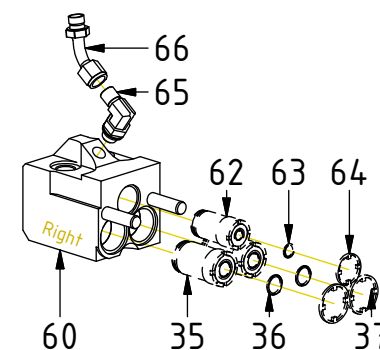


POS	DESCRIPTION	PART	QTY	COMMENTS
3	Cable QS - QLM - Quick hitch	842149	1	Attach to QS sensors
9	Screw K6S M5x8 10.9 FZB	611801	4	QTY depends on config.
19	Adapter 136-08-08 (1/2")	710108	2	QTY: 4 for 2bl.
20	Washer GBR08 1/2	710704	2	QTY: 4 for 2bl.
33	Block ECO60W Hitch 2hy.1cl. Compl.	1074022	1	(POS.34-35, 37-38 incl.)
34	Block ECO60 W Hitch	1074019	1	
35	Coupling ECO W 1/2" V3	1054580	2	Torque: 60Nm. (POS.36 incl.)
36	Flat sealing for ECO W 1/2" V3	1050018	2	
37	Dirt protection block ECO 1/2"	1028229	4	
38	Lubrication kit ECO W V2	1050794	1	(POS.39-45 incl.)
39	Spring 6058	1024113	1	
40	Piston sealing KPOR130 12x7,1x2,2	1024112	2	(O-ring incl. with seal ring)
41	Grease piston	1024111	1	
42	O-ring 3,69x1,78	1024115	1	
43	Nut grease piston	1047688	1	Wrap with thread sealing tape
44	O-ring 9,25x1,78	712429	1	Located inside nut
45	O-ring 14x2	7000767	1	
47	Coverplate block ECO60 W Hitch	1074691	1	
48	Hose kit - lubricant ECO W	7000514	1	(POS.49-51 incl.)
49	Straight Push-in M8x1	790185	2	
50	Pipe stub straight Push-in	790175	2	
51	Hose 2m - lubricant ECO	790176	2	
52	Machine cable ECO60 W DC2	1048528	1	Attach to Left 12P
55	Power plug ECO W Hitch (12P, 6P)	1042243	1	Cable gland torque: 6Nm
58	Block ECO60W Hitch 2hy. Complete	1076530	1	(POS.34-35, 37 incl.)
59	Adapter 489-08-08 45° (1/2")	710166	2	QTY: 4 for 2bl. Loxeal 55-02
60	Block ECO60W Hitch 3hy. Complete	1055717	1	(POS.35, 37, 61-62, 64 incl.)
61	Block ECO60 W 3-hyd Hitch	1047258	1	
62	Coupling ECO W 3/8" V3	1053029	1	(POS.63 incl.)
63	Flat sealing for ECO W 3/8" V3	1052976	1	
64	Dirt protection block ECO 3/8"	1028274	1	
65	Adapter 401-06-06 90° (3/8")	710152	1	
66	Adapter 489-06-06 45° (3/8")	710164	1	
67	Screw MC6S M14x30 12.9 ZFSL	6000197	3	Loxeal 83-52
75	Transport Protection ECO-Block	1047716	1	Part of make up

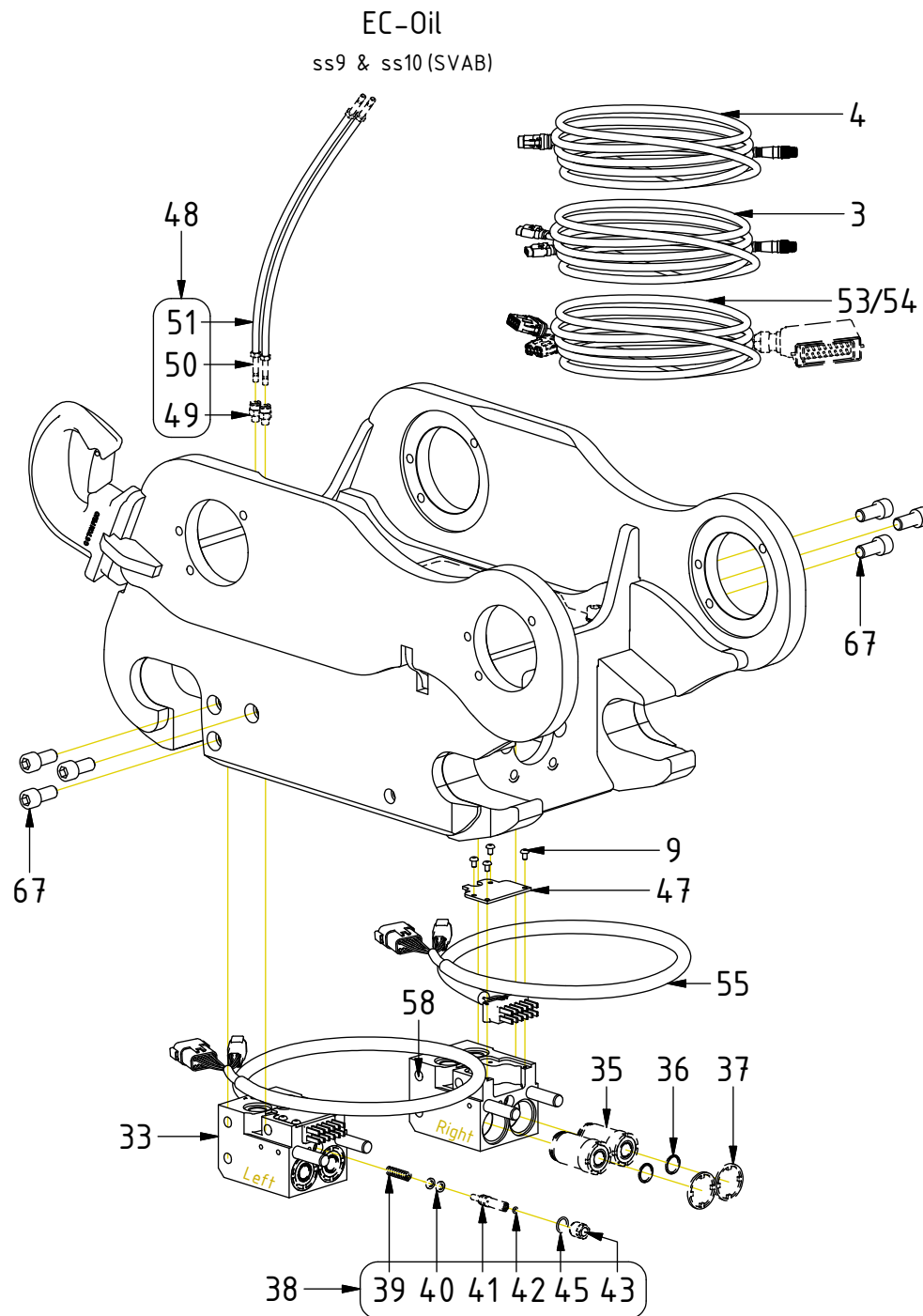
Without "HF":



Option 5 hyd:

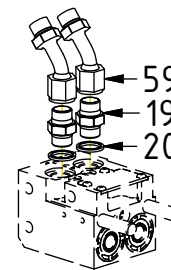


POS in order of assembly

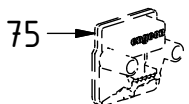


POS	DESCRIPTION	PART	QTY	COMMENTS
3	Cable QS - QLM - Quick hitch	842149	1	Attach to QS sensors
4	Cable QS - QLM - Tilt rotator	842148	1	Attach to Left 6P
9	Screw K6S M5x8 10.9 FZB	611801	4	QTY depends on config.
19	Adapter 136-08-08 (1/2")	710108	2	QTY: 4 for 2bl.
20	Washer GBR08 1/2	710704	2	QTY: 4 for 2bl.
33	Block ECO60W Hitch 2hy.1cl. Compl.	1074022	1	(POS.34-35, 37-38 incl.)
34	Block ECO60 W Hitch	1074019	1	
35	Coupling ECO W 1/2" V3	1054580	2	Torque: 60Nm. (POS.36 incl.)
36	Flat sealing for ECO W 1/2" V3	1050018	2	
37	Dirt protection block ECO 1/2"	1028229	4	
38	Lubrication kit ECO W V2	1050794	1	(POS.39-45 incl.)
39	Spring 6058	1024113	1	
40	Piston sealing KPOR130 12x7,1x2,2	1024112	2	(O-ring incl. with seal ring)
41	Grease piston	1024111	1	
42	O-ring 3,69x1,78	1024115	1	
43	Nut grease piston	1047688	1	Wrap with thread sealing tape
44	O-ring 9,25x1,78	712429	1	Located inside nut
45	O-ring 14x2	7000767	1	
47	Coverplate block ECO60 W Hitch	1074691	1	
48	Hose kit - lubricant ECO W	7000514	1	(POS.49-51 incl.)
49	Straight Push-in M8x1	790185	2	
50	Pipe stub straight Push-in	790175	2	
51	Hose 2m - lubricant ECO	790176	2	
53	Machine cable ECO60 W ss9-2	1036846	1	Attach to Left 12P
54	Machine cable ECO60 W ss10(SVAB)	1029500	1	Attach to both 12P
55	Power plug ECO W Hitch (12P, 6P)	1042243	1	Cable gland torque: 6Nm
58	Block ECO60W Hitch 2hy. Complete	1076530	1	(POS.34-35, 37 incl.)
59	Adapter 489-08-08 45° (1/2")	710166	2	QTY: 4 for 2bl. Loxeal 55-02
67	Screw MC6S M14x30 12.9 ZFSL	6000197	3	Loxeal 83-52
68	Cable ePS ECO W ss9,ss10(SVAB)	1042246	1	Attach to Right 6P
75	Transport Protection ECO-Block	1047716	1	Part of make up

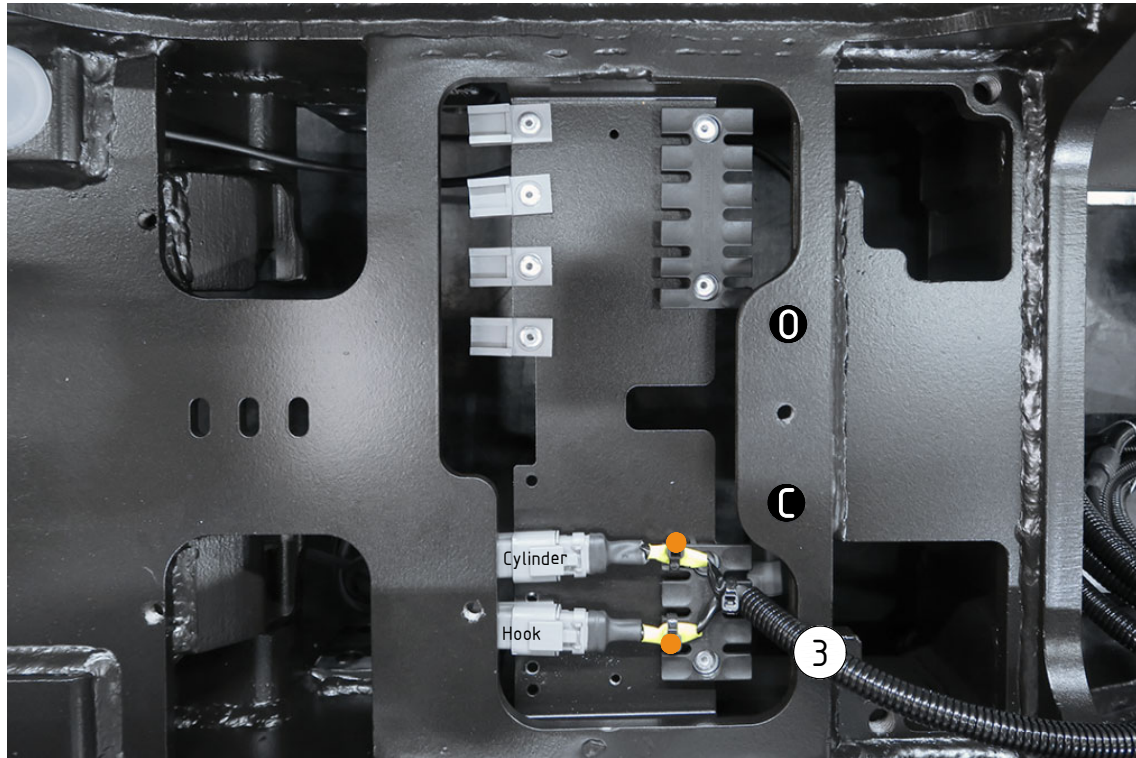
Without "HF":



ePS:

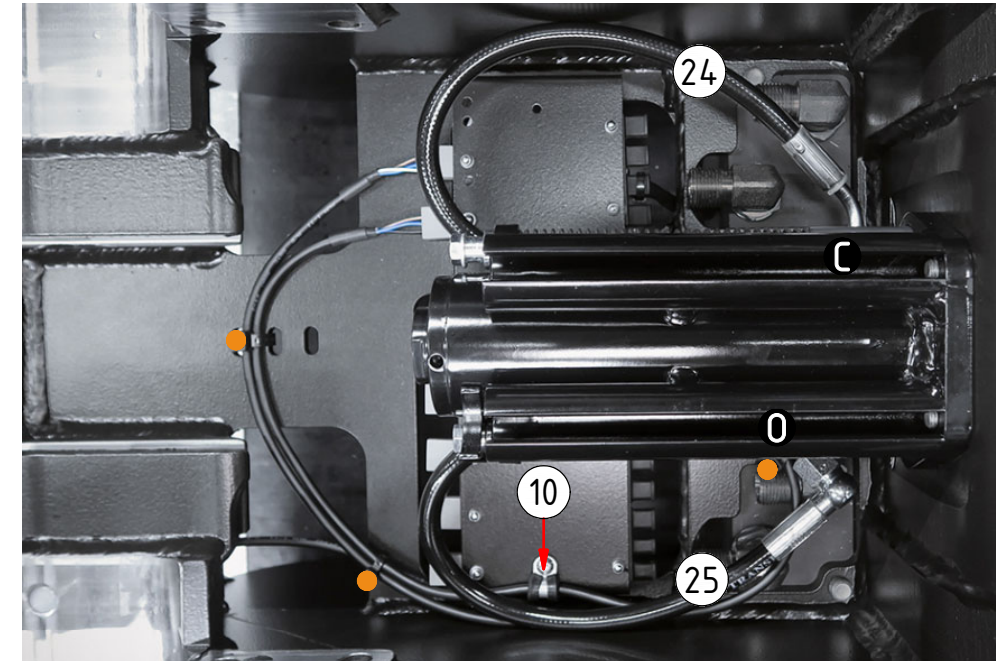


Without EC-Oil

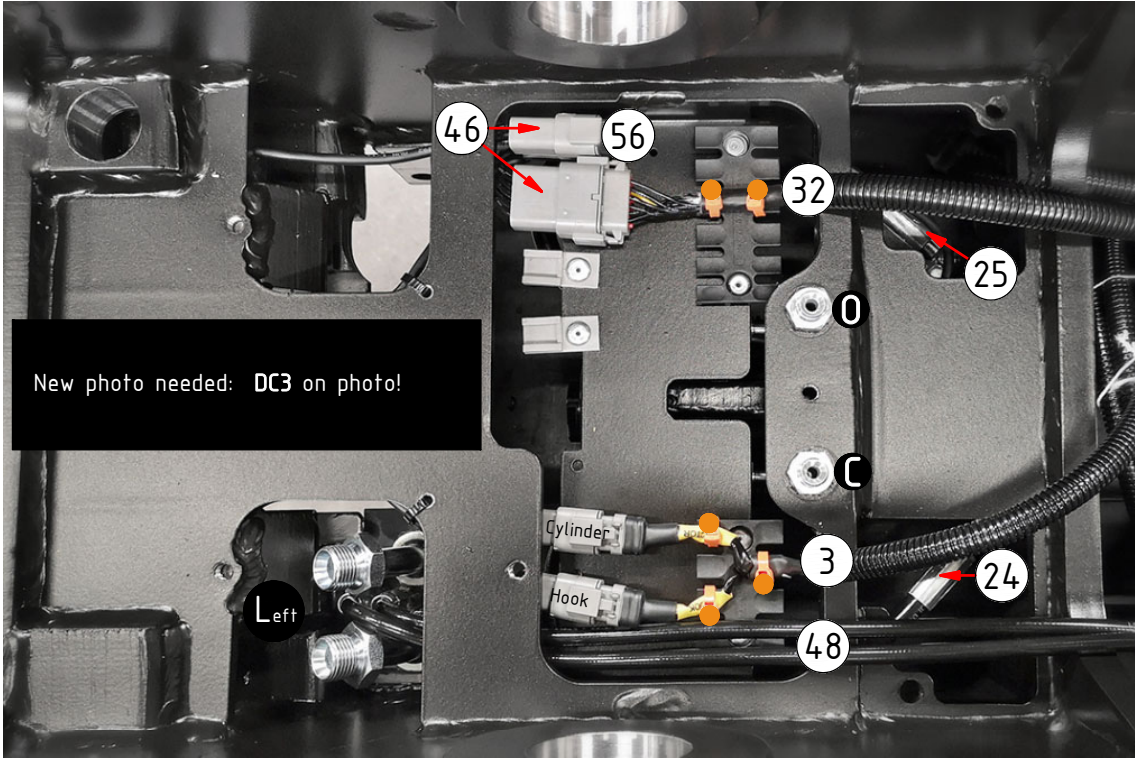


POS	DESCRIPTION	PART	QTY	COMMENTS
3	Cable QS - QLM - Quick hitch	842149	1	Attach to QS sensors
10	Rubber steel clamp ø6	6000027	1	
24	Hose Lock Close	7000954	1	
25	Hose Lock Open	7000953	1	
29	Hose Lock 2 - Liebherr	7001231	2	For Liebherr, add this to POS.21
30	Hose Lock 2 - Lännen		2	For Lännen, add this to POS.21
●	Use cable ties			

POS in order of assembly

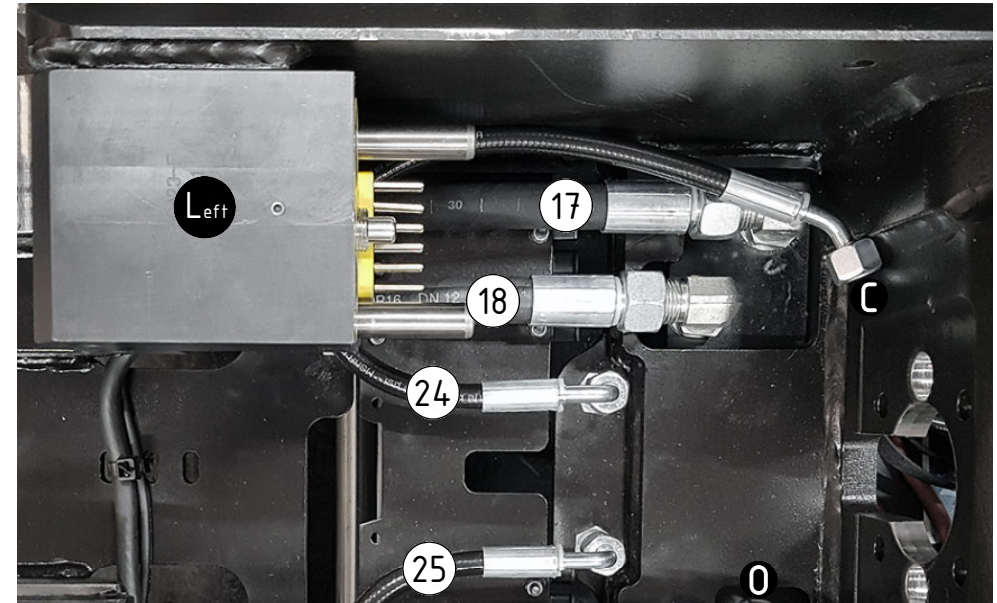


EC-Oil
DC3

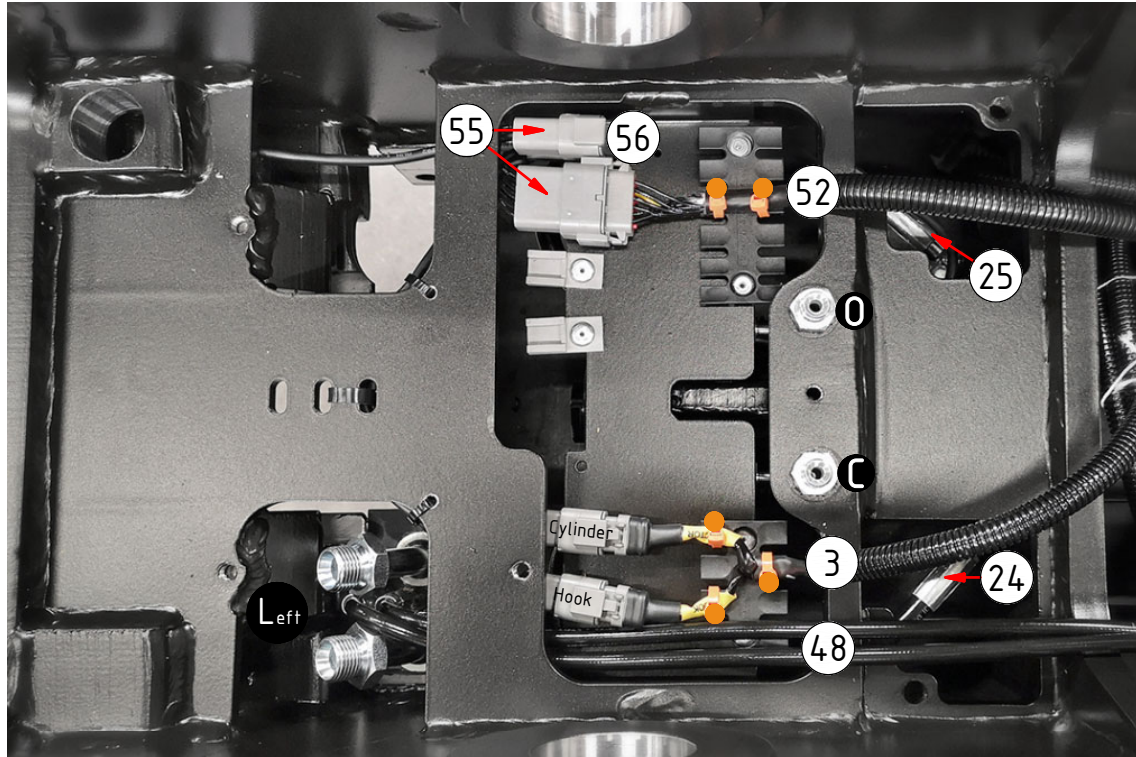


POS	DESCRIPTION	PART	QTY	COMMENTS
3	Cable QS - QLM - Quick hitch	842149	1	Attach to QS sensors
17	Hose Long Connect.block ECO60W	7000955	1	QTY: 2 for 2bl.
18	Hose Short Connect.block ECO60W	7000956	1	QTY: 2 for 2bl.
24	Hose Lock Close	7000954	1	
25	Hose Lock Open	7000953	1	
32	Cable ECO W DC3 3m (4S, 4P)	8002297	1	Attach to 4P
46	Power plug ECO W Hitch (4P, 6P)	8002155	1	Cable gland torque: 6Nm
48	Hose kit - lubricant ECO W	7000514	1	(POS.49-51 incl.)
56	Plug for 6P	8000620	1	QTY depends on config.
●	Use cable ties			

POS in order of assembly

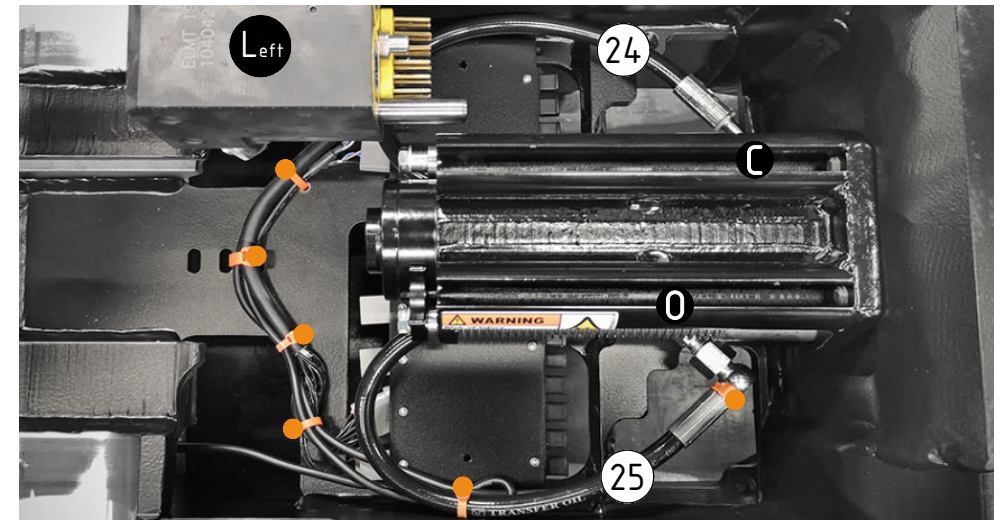


EC-Oil
DC2 Std. config.



POS	DESCRIPTION	PART	QTY	COMMENTS
2	For Atlas Högländets			See p.15 for instruction
3	Cable QS - QLM - Quick hitch	842149	1	Attach to QS sensors
17	Hose Long Connect.block ECO60W	7000955	1	QTY: 2 for 2bl.
18	Hose Short Connect.block ECO60W	7000956	1	QTY: 2 for 2bl.
24	Hose Lock Close	7000954	1	
25	Hose Lock Open	7000953	1	
29	Hose Lock 2 - Liebherr	7001231	2	For Liebherr, add this to POS.21
30	Hose Lock 2 - Lännen		2	For Lännen, add this to POS.21
48	Hose kit - lubricant ECO W	7000514	1	(POS.49-51 incl.)
52	Machine cable ECO60 W DC2	1048528	1	Attach to 12P
55	Power plug ECO W Hitch (12P, 6P)	1042243	1	Cable gland torque: 6Nm
56	Plug for 6P	8000620	1	QTY depends on config.
	● Use cable ties			

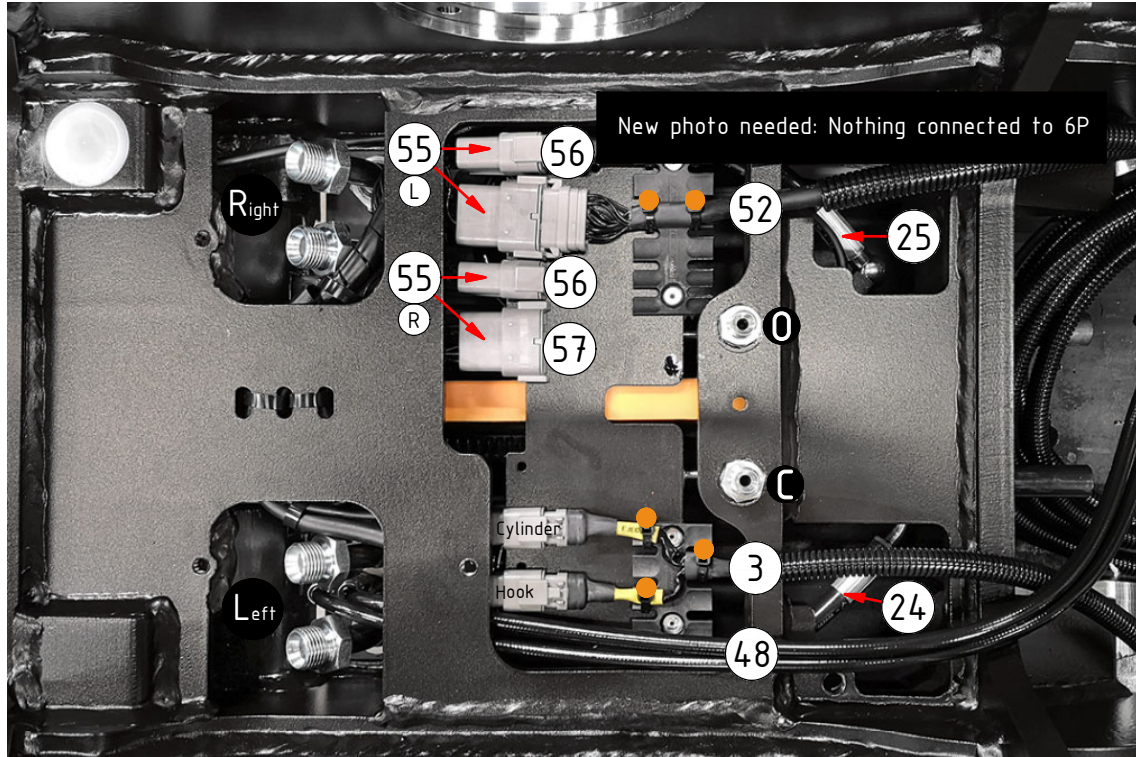
POS in order of assembly



"HF":



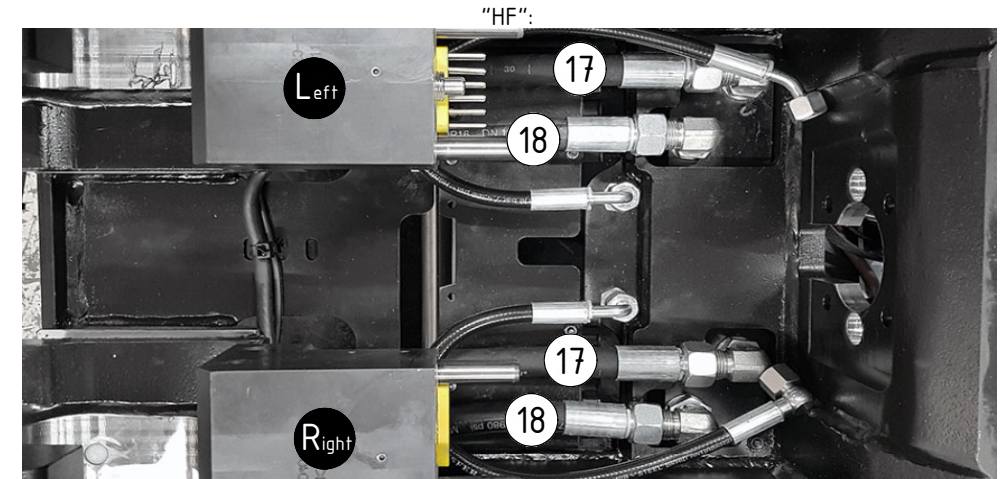
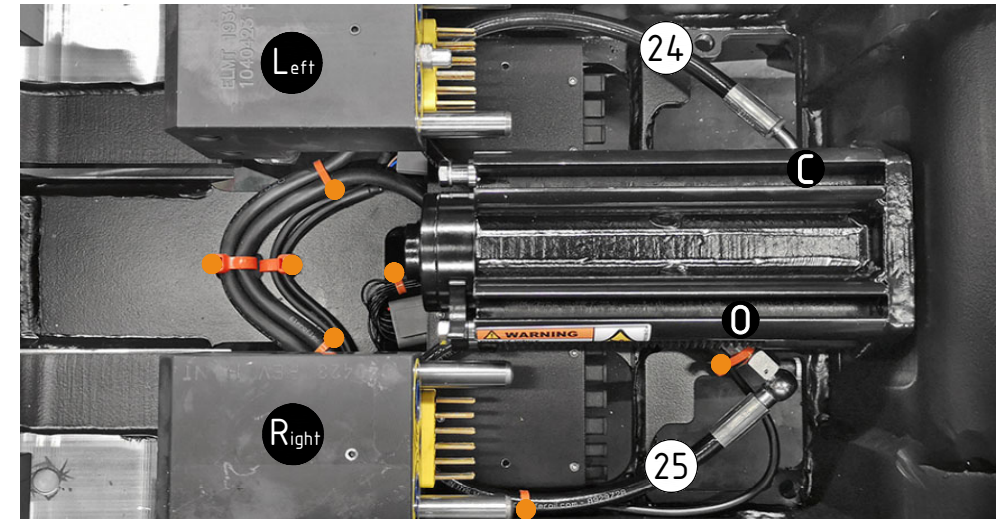
EC-Oil
DC2 Option 2bl.



Option 5 hyd:

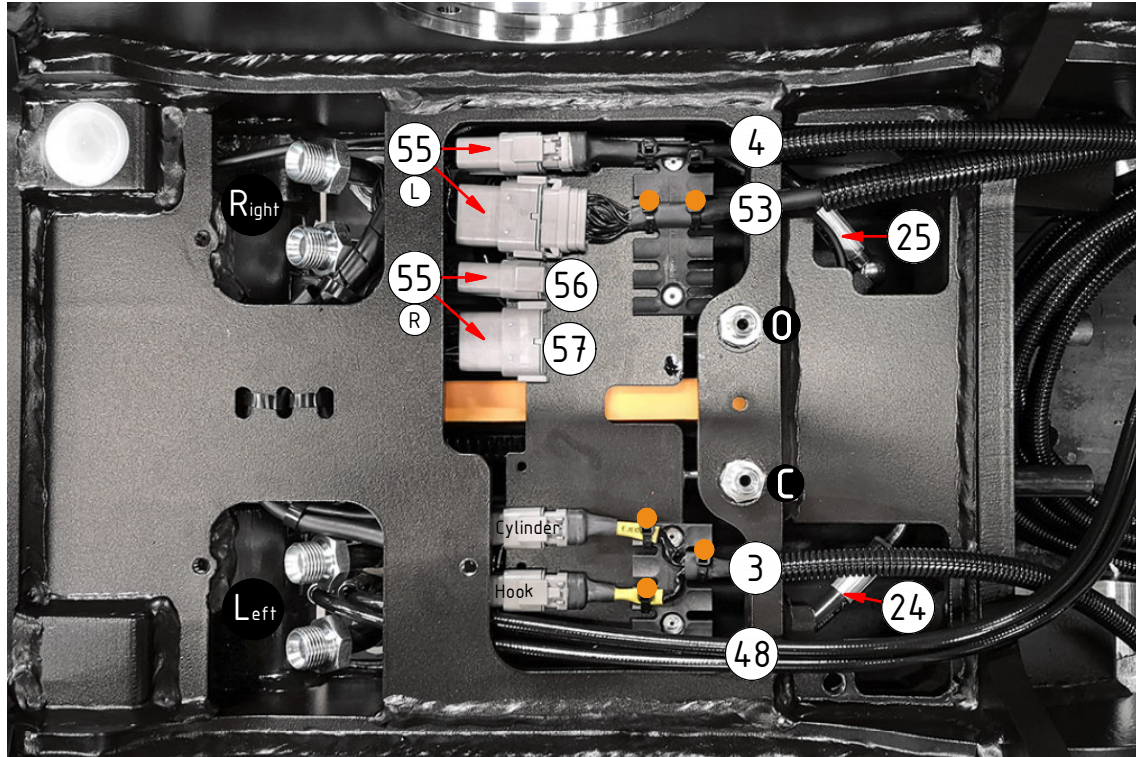


POS	DESCRIPTION	PART	QTY	COMMENTS
3	Cable QS - QLM - Quick hitch	842149	1	Attach to QS sensors
17	Hose Long Connect.block ECO60W	7000955	1	QTY: 2 for 2bl.
18	Hose Short Connect.block ECO60W	7000956	1	QTY: 2 for 2bl.
24	Hose Lock Close	7000954	1	
25	Hose Lock Open	7000953	1	
29	Hose Lock 2 - Liebherr	7001231	2	For Liebherr, add this to POS.21
30	Hose Lock 2 - Lannen		2	For Lannen, add this to POS.21
48	Hose kit - lubricant ECO W	7000514	1	(POS.49-51 incl.)
52	Machine cable ECO60 W DC2	1048528	1	Attach to Left 12P
55	Power plug ECO W Hitch (12P, 6P)	1042243	1	Cable gland torque: 6Nm
56	Plug for 6P	8000620	1	QTY depends on config.
57	Plug for 12P	8002058	1	QTY depends on config.
● Use cable ties				

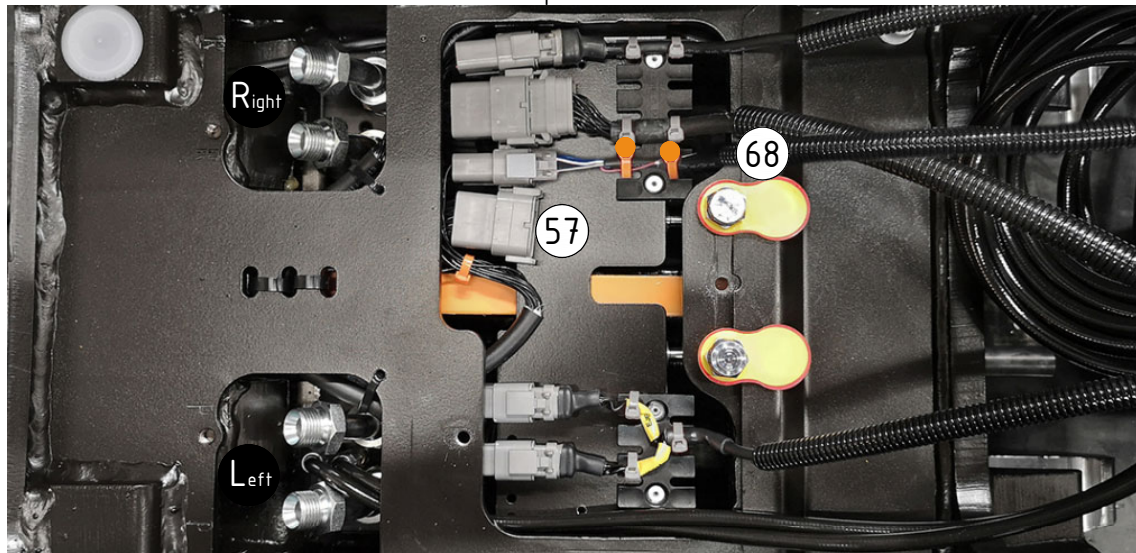


POS in order of assembly

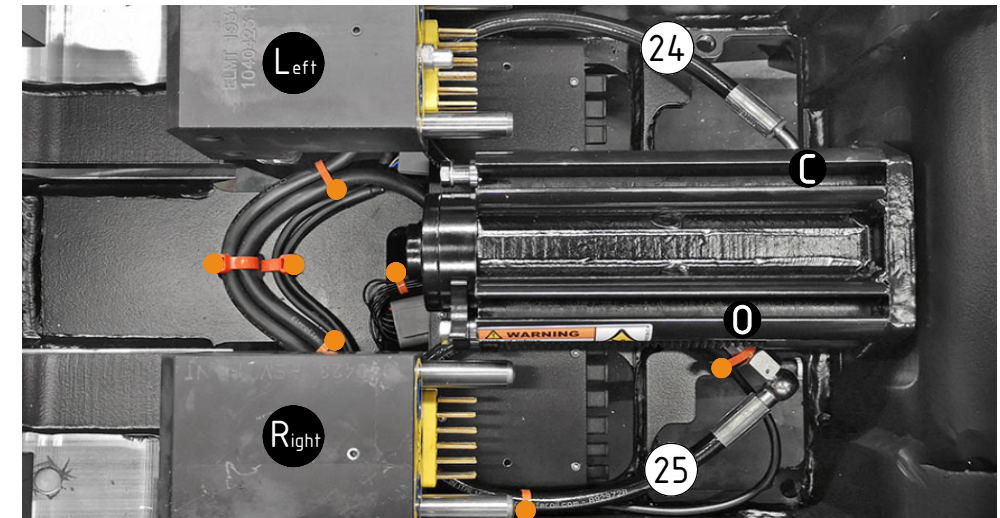
EC-Oil
ss9



Option ePS:

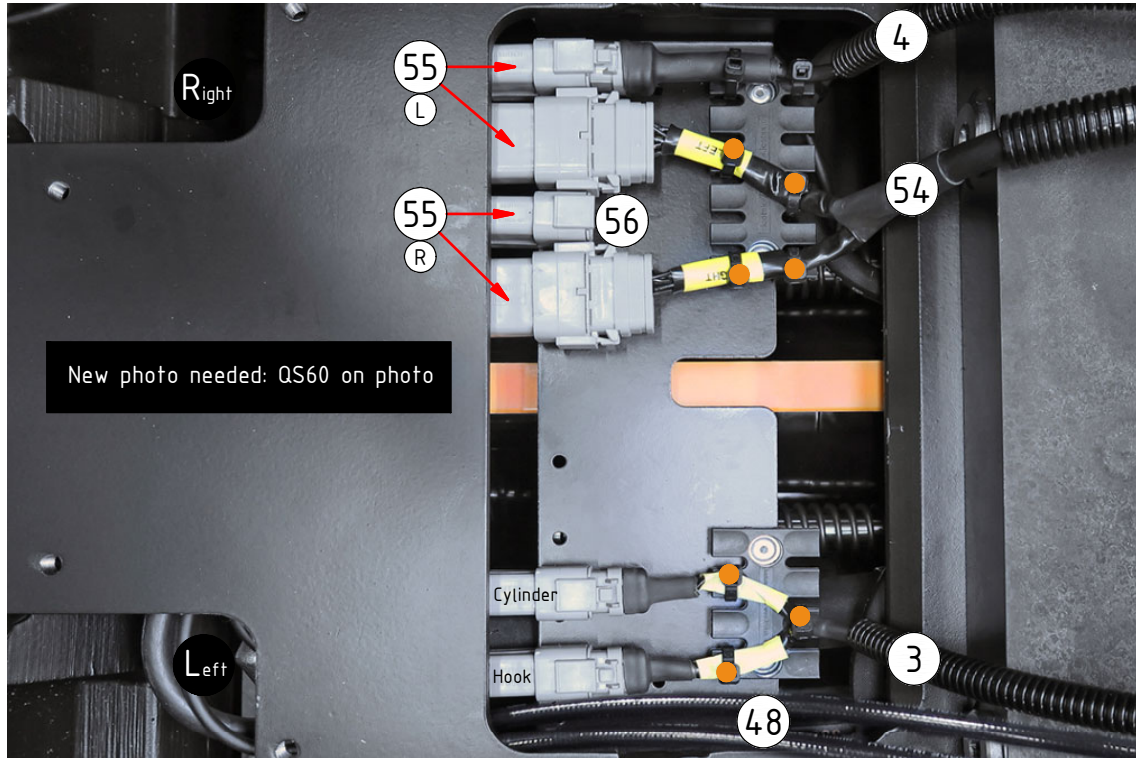


POS	DESCRIPTION	PART	QTY	COMMENTS
3	Cable QS - QLM - Quick hitch	842149	1	Attach to QS sensors
4	Cable QS - QLM - Tilt rotator	842148	1	Attach to Left 6P
24	Hose Lock Close	7000954	1	
25	Hose Lock Open	7000953	1	
29	Hose Lock 2 - Liebherr	7001231	2	For Liebherr, add this to POS.21
30	Hose Lock 2 - Lännen		2	For Lännen, add this to POS.21
48	Hose kit - lubricant ECO W	7000514	1	(POS.49-51 incl.)
53	Machine cable ECO60 W ss9-2	1036846	1	Attach to Left 12P
55	Power plug ECO W Hitch (12P, 6P)	1042243	1	Cable gland torque: 6Nm
56	Plug for 6P	8000620	1	QTY depends on config.
57	Plug for 12P	8002058	1	QTY depends on config.
68	Cable ePS ECO W ss9,ss10(SVAB)	1042246	1	Attach to Right 6P
● Use cable ties				

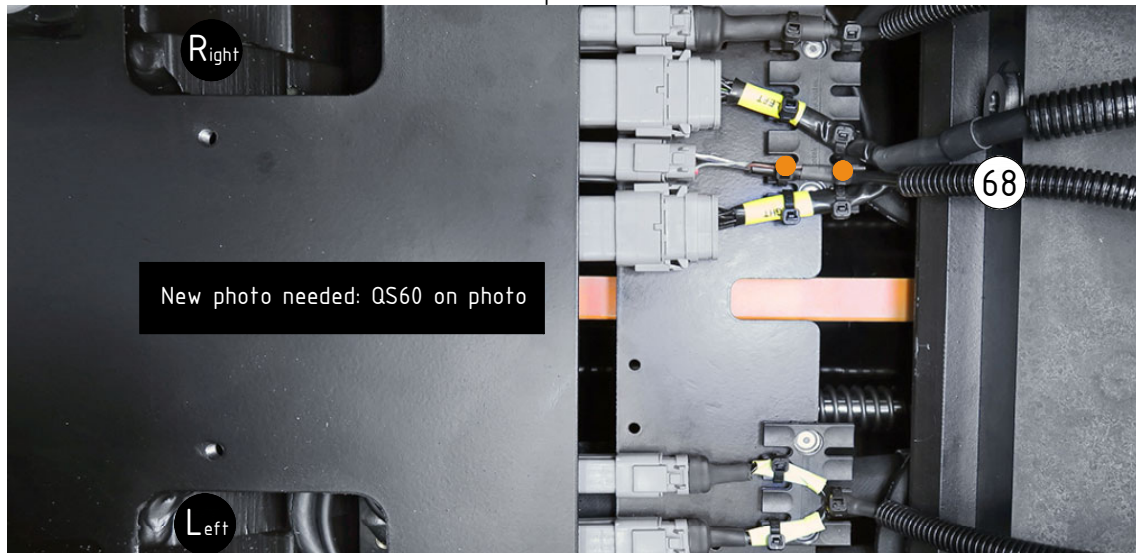


POS in order of assembly

EC-Oil
ss10 (SVAB)

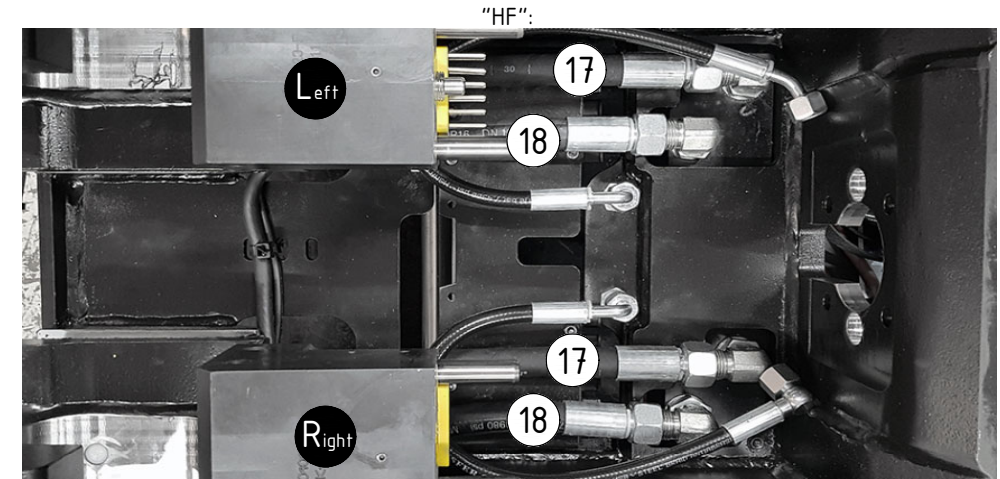
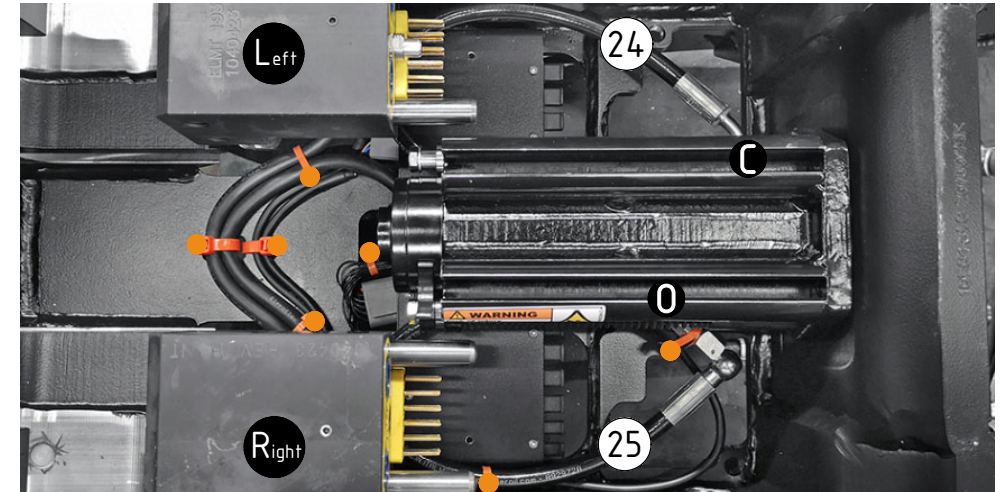


Option ePS:



POS	DESCRIPTION	PART	QTY	COMMENTS
3	Cable QS - QLM - Quick hitch	842149	1	Attach to QS sensors
4	Cable QS - QLM - Tilt rotator	842148	1	Attach to Left 6P
17	Hose Long Connect.block ECO60W	7000955	1	QTY: 2 for 2bl.
18	Hose Short Connect.block ECO60W	7000956	1	QTY: 2 for 2bl.
24	Hose Lock Close	7000954	1	
25	Hose Lock Open	7000953	1	
29	Hose Lock 2 - Liebherr	7001231	2	For Liebherr, add this to POS.21
30	Hose Lock 2 - Lännen		2	For Lännen, add this to POS.21
48	Hose kit - lubricant ECO W	7000514	1	(POS.49-51 incl.)
54	Machine cable ECO60 W ss10(SVAB)	1029500	1	Attach to both 12P
55	Power plug ECO W Hitch (12P, 6P)	1042243	1	Cable gland torque: 6Nm
56	Plug for 6P	8000620	1	QTY depends on config.
68	Cable ePS ECO W ss9,ss10(SVAB)	1042246	1	Attach to Right 6P

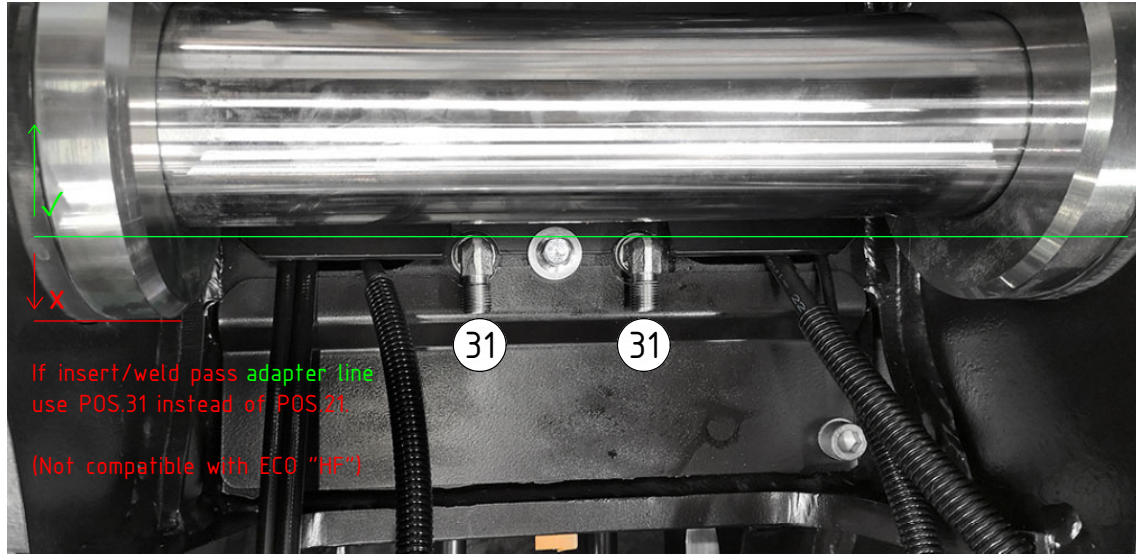
● Use cable ties



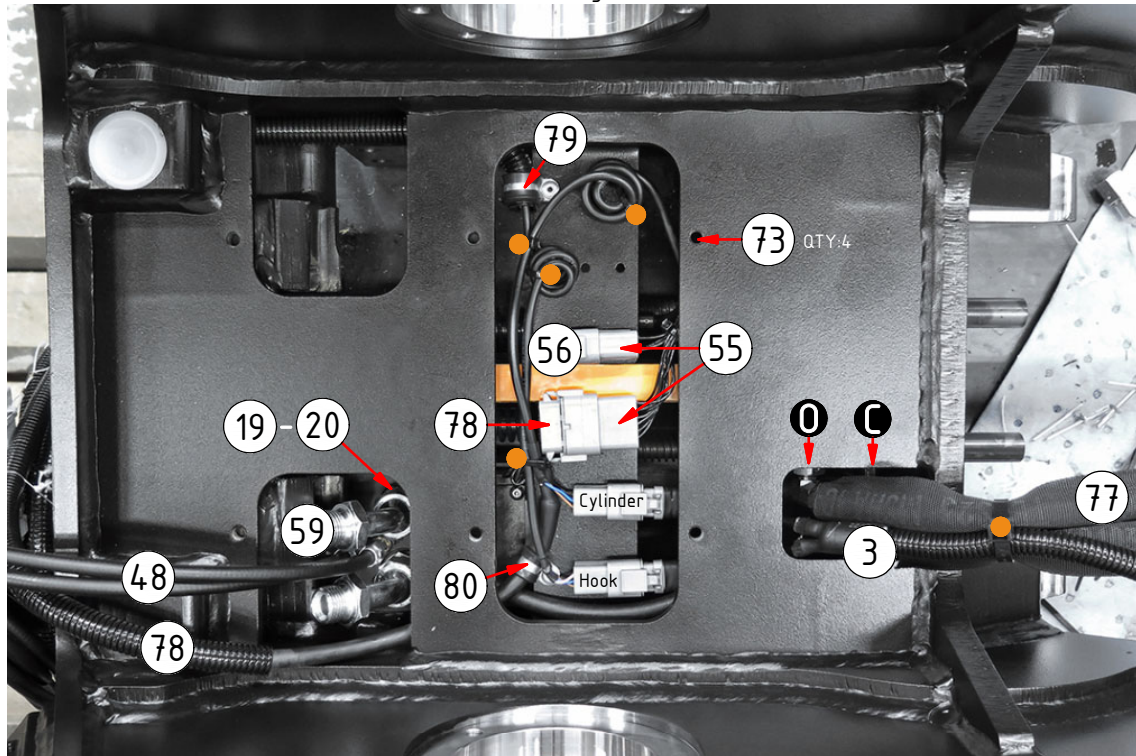
POS in order of assembly

special / options

Alternative adapter:



Atlas Höglandets:

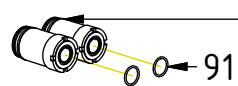
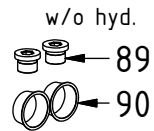
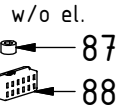
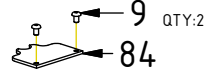


POS	DESCRIPTION	PART	QTY	COMMENTS
3	Cable QS - QLM - Quick hitch	842149	1	Attach to QS sensors
7	Blind rivet 4,0x12,3 DIN7337	6000294	10	
8	Holder Deutsch coupling	810662	6	
9	Screw K6S M5x8 10.9 FZB	611801	4	QTY depends on config.
19	Adapter 136-08-08 (1/2")	710108	2	QTY: 4 for 2bl.
20	Washer GBR08 1/2	710704	2	QTY: 4 for 2bl.
21	Adapter 1260-04-40 (1/4")	710261	2	
26	Adapter 138-04-29 (1/4")	710135	1	
27	Washer GBR04 1/4	710702	1	
31	Alternative adapter 90° 1264-04-04	7000847	2	For colliding insert/weld. See p.15
33	Block ECO60W Hitch 2hy.1cl. Compl.	1074022	1	(POS.34-35, 37-38 incl.)
34	Block ECO60 W Hitch	1074019	1	
35	Coupling ECO W 1/2" V3	1054580	2	Torque: 60Nm. (POS.36 incl.)
36	Flat sealing for ECO W 1/2" V3	1050018	2	
37	Dirt protection block ECO 1/2"	1028229	4	
38	Lubrication kit ECO W V2	1050794	1	(POS.39-45 incl.)
47	Coverplate block ECO60 W Hitch	1074691	1	
48	Hose kit - lubricant ECO W	7000514	1	(POS.49-51 incl.)
55	Power plug ECO W Hitch (12P, 6P)	1042243	1	Cable gland torque: 6Nm
56	Plug for 6P	8000620	1	QTY depends on config.
59	Adapter 489-08-08 45° (1/2")	710166	2	QTY: 4 for 2bl. Loxeal 55-02
67	Screw MC6S M14x30 12.9 ZFSL	6000197	3	Loxeal 83-52
75	Transport Protection ECO-Block	1047716	1	Part of make up
77	Hose Lock Atlas Höglandets	7000814	2	Use with POS.26-27
78	Cable ECO60 W Machine DC2 (2,5m)	1048527	1	Attach to 12P
79	Rubber steel clamp ø14	613009	1	Cut cable protection: 230mm
80	Rubber steel clamp ø12	790155	1	
81	Screw K6S 5x16H	611818	2	
82	Nut M6M M5 cover	610920	2	
83	Hose kit Atlas Höglandets	7000822	1	
85	Cover QS60 With EC-Oil	1031335	1	
	● Use cable ties			

POS in order of assembly

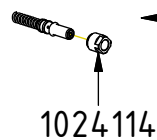
SPARE PARTS

Until 2024-06:



1024056

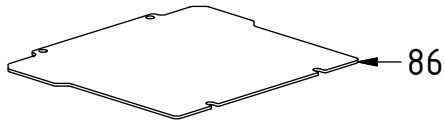
O-rings between versions are not compatible



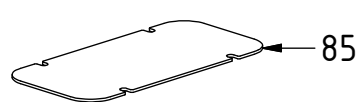
1042362

Replaced by POS.38 from 2019-01. On ECO blocks previous rev E: remove o-ring on nut

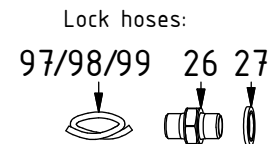
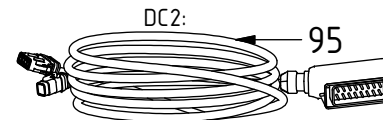
Without EC-Oil:



With EC-Oil:



POS	DESCRIPTION	PART	QTY	COMMENTS
9	Screw K6S M5x8 10.9 FZB	611801	4	QTY depends on config.
24	Hose Lock Close	7000954	1	
25	Hose Lock Open	7000953	1	
26	Adapter 138-04-29 (1/4")	710135	1	
27	Washer GBR04 1/4	710702	1	
35	Coupling ECO W 1/2" V3	1054580	2	Torque: 60Nm. (POS.36 incl.)
36	Flat sealing for ECO W 1/2" V3	1050018	2	
38	Lubrication kit ECO W V2	1050794	1	(POS.39-45 incl.)
47	Coverplate block ECO60 W Hitch	1074691	1	
52	Machine cable ECO60 W DC2	1048528	1	Attach to Left 12P
70	Coverplate V4 - ECO HF & w/o ECO	1052669	1	
71	Coverplate V4 - ECO w/o HF	1054935	1	
72	Coverplate V4 - w/o HF & w/o ECO	1055335	1	
84	Coverplate w/o slot ECO60 W	1041139	1	Used for block w/o cable slot
85	Cover QS60 With EC-Oil	1031335	1	Replaced by 70-72 from 2019-10
86	Cover QS60 Without EC-Oil	1033390	1	Replaced by 70-71 from 2019-10
87	Pipe plug DIN 906 M16x1,5	711529	1	
88	Plug ECO W - Hitch	1041814	1	
89	Plug 70125-08 (1/2")	711500	2	
90	Protection plug ECO60 hydraulic	7000155	2	
91	O-ring 17,17x1,78 ECO60 1/2"	710913	2	Used until 2020-03 Separate seal kit: 7000046
92	Cable ECO Tiltangle sensor DC2 ePS	8002477	1	Attach to 6P (DC2 ePS1) NB! Only compatible with 8002459
93	Cable ECO W Tiltanglesensor ss9-2	1047113	1	Attach to Right 12P
94	Cable ECO W Tiltanglesensor SVAB	1047111	1	L.Bl: WH>11. R.Bl: BR>1, BL>2, GR>11
95	Machine cable ECO70 W DC2 two connectors	1042248	1	Replaced by POS.52 from 2018-08 Attach to 6P and 12P
96	Machine cable ECO70 W MACS	1043276	1	Attach to 12P
97	Hose Lock	741505	2	Replaced by 24-25 from 2019-10
98	Hose Lock Liebherr	7000560	2	Replaced by 24-25 from 2019-10
99	Hose Lock Lannen	7000561	2	Replaced by 24-25 from 2019-10



ePS1:

