

COVERSHEET

Planned document changes:

Briefly:

No planned changes.

Document changes:

Date:	Change:	Rev. after change:
2026-06-08	Photos updated.	A
2025-03-18	New document.	-

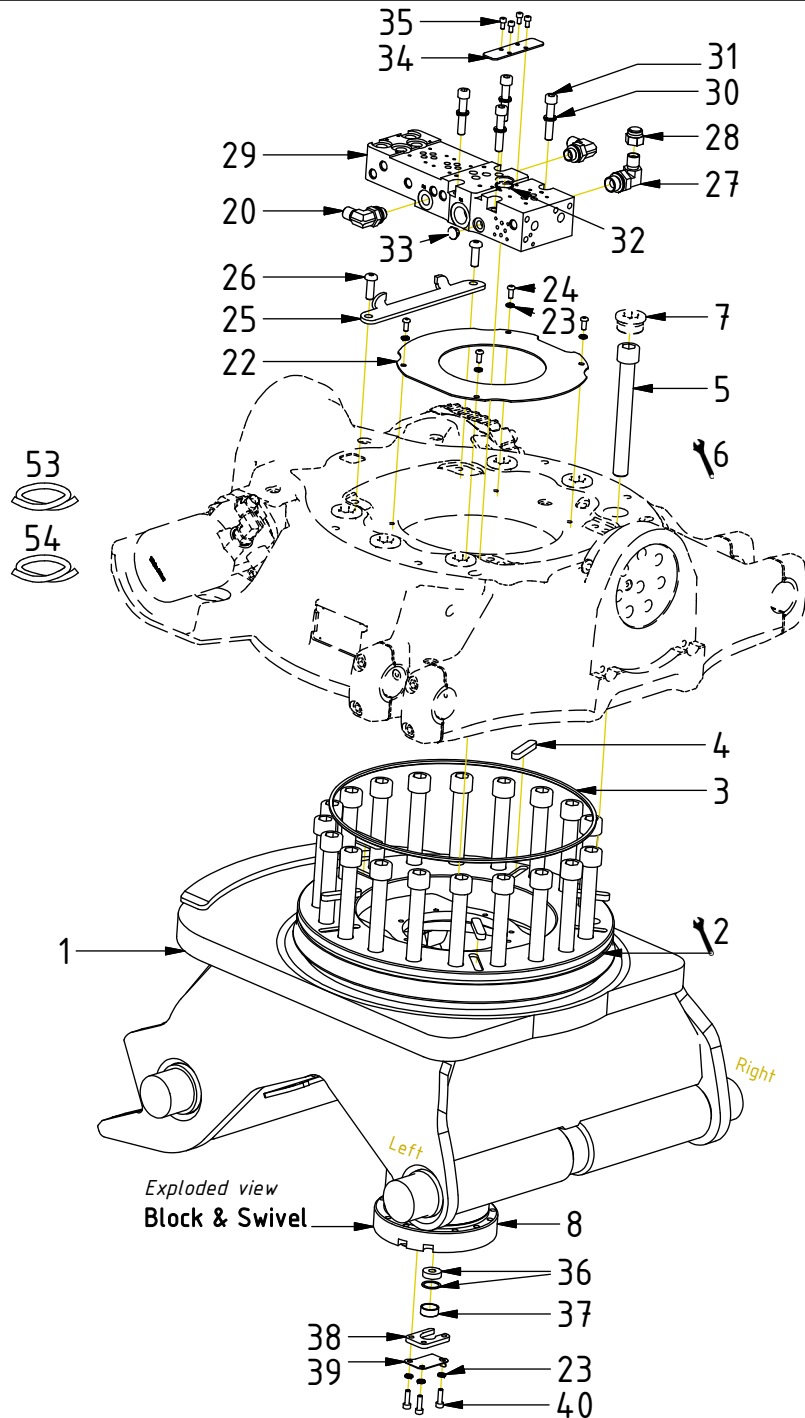
Readers note:

Indicates instruction.



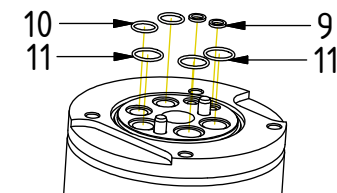
Represents Hose.

Dashed lines for overview, mounts
on other pages/assemblies.

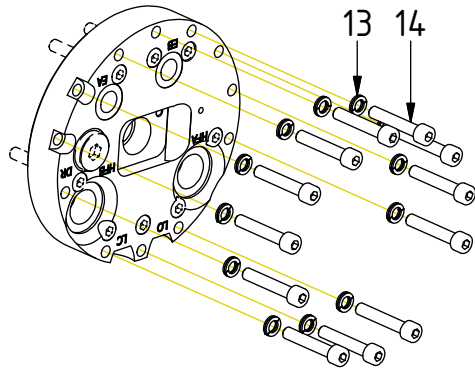


POS	DESCRIPTION	PART	QTY	COMMENTS
1	Quick hitch CW40 0° EC233 QSM	1071965	1	
2	Grease the ring			
3	O-ring 359,3x5,7	710924	1	
4	Feather Key	650103	5	
5	Screw MC6S M20x170 12.9	6000101	20	Torque: 649Nm
6	Torque tighten rotator frame to hitch. Rotate to access all holes			
7	Pipe plug M36x2	650408	6	Part of rotator frame
8	Connect. block & swivel QSM Compl.	1072872	1	
9	O-ring 7,66x1,68	7000579	2	
10	O-ring 14x1,78	710975	2	
11	O-ring 17,17x1,78	710977	3	
20	Adapter 4,01-06-06 90° (3/8'')	710152	4	Assemble before valve block
22	Plate swivel EC233 QSM	1052691	1	
23	Washer NL 6mm	611039	7	
24	Screw K6S M6x14 10.9 FZB	6000242	4	
25	Swivel stop EC233	1048076	1	
26	Screw K6S M10x30 10.9 FZB	6000193	2	Loxal 83-52
27	Adapter 4,01-06-08 90° (3/8''-1/2'')	710157	1	Assemble before valve block
28	Protective cap 155-06 (3/8'')	711626	1	
29	Valve Block QSM	1049297	1	
30	Washer NL 10mm	611041	4	
31	Screw MC6S M10x55 12.9 ZFSHL	612022	4	Torque: 79Nm Tighten in cross pattern
32	O-ring 21,95x1,78	710983	2	(Incl. with valve block)
33	Plastic plug KS 15 G 1/4''	7001983	1	(Incl. with valve block)
34	Cover plate QSM	1050384	1	
35	Screw MC6S M5x10 12.9	610594	4	
36	Rubber bushing	1046691	1	Use the outer ring. Washer down
37	Ring slip ring QSM	1046692	1	
38	Plate slip ring QSM	1046689	1	
39	Plate cable steering QSM	1046694	1	
40	Screw MC6S M6x20 8,8 FZB	610310	3	
53	Hose hydraulic motor Long	7000451	1	
54	Hose hydraulic motor Short	7000903	1	

Between swivel & valve block:

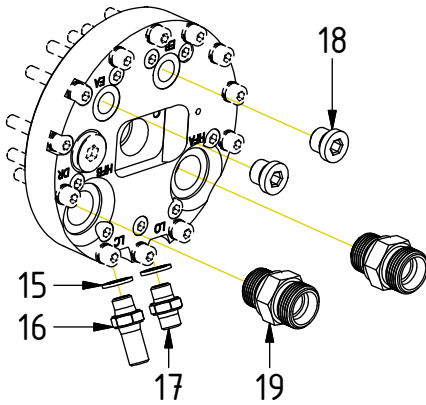


POS in order of assembly

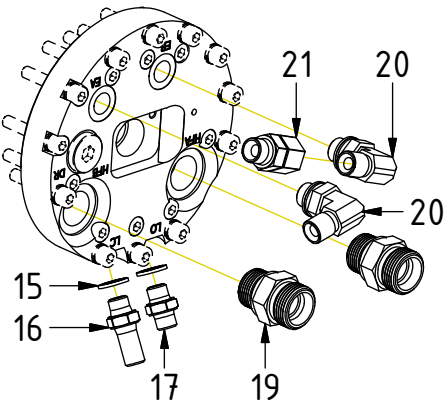


POS	DESCRIPTION	PART	QTY	COMMENTS
12	For option Drain			See p.5 for instruction
13	Washer NL 8mm	611040	12	
14	Screw MC6S M8x45 12.9 ZFSHL	6000399	12	
15	Washer GBR04 1/4	710702	4	
16	Adapter 1260-04-04 (1/4")	710240	1	
17	Adapter 138-04-29 (1/4")	710135	3	
18	Plug 70125-06 (3/8")	711504	2	
19	Adapter M30x2 // G3/4	7001855	4	
20	Adapter 401-06-06 90° (3/8")	710152	4	
21	Adapter 703-06-06 (3/8")	712221	1	

Standard

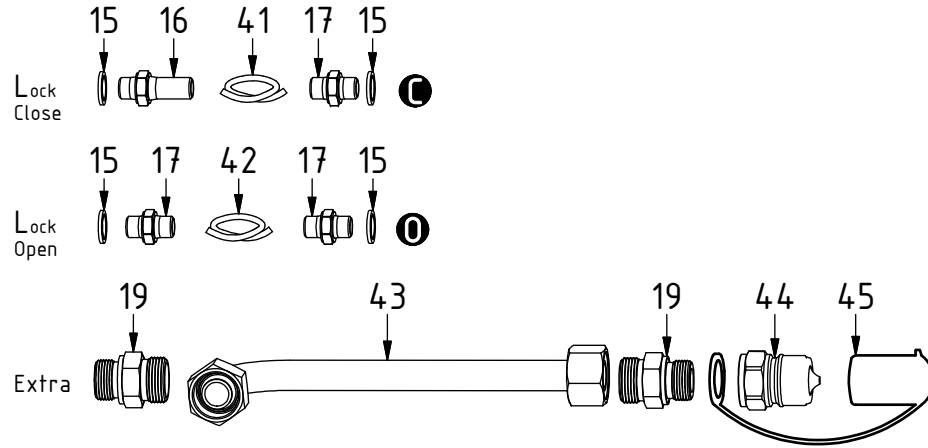


Dbl.Extra

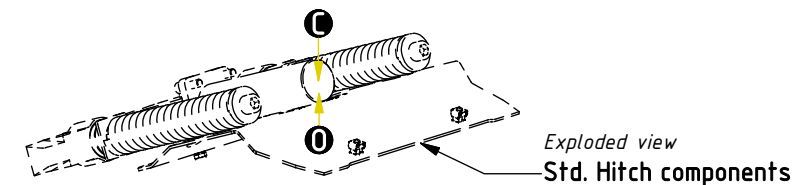
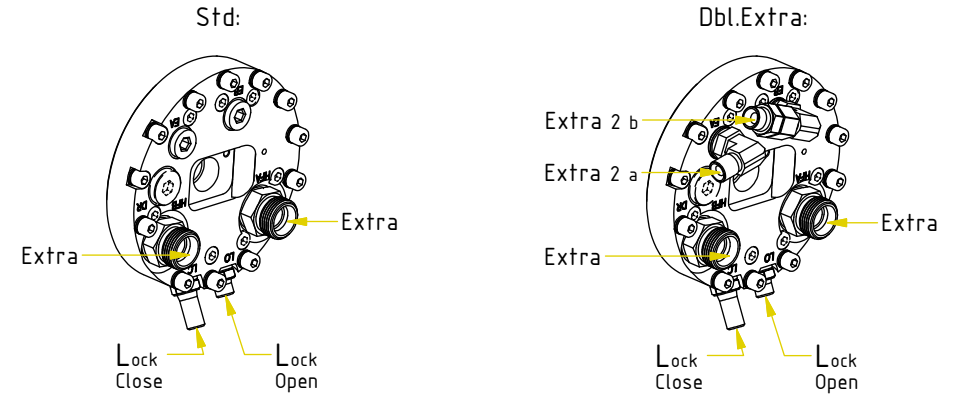
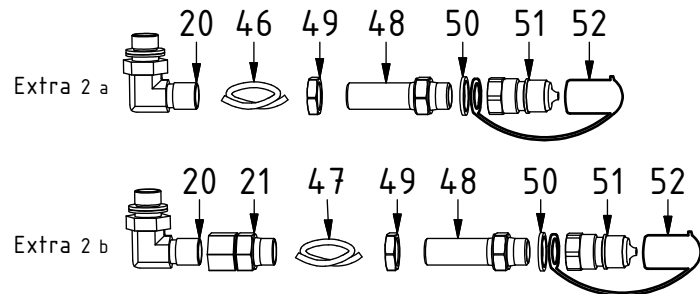
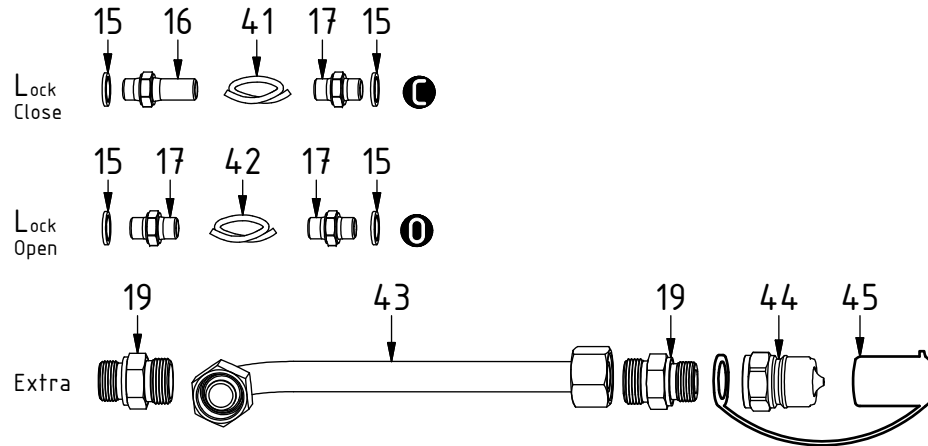


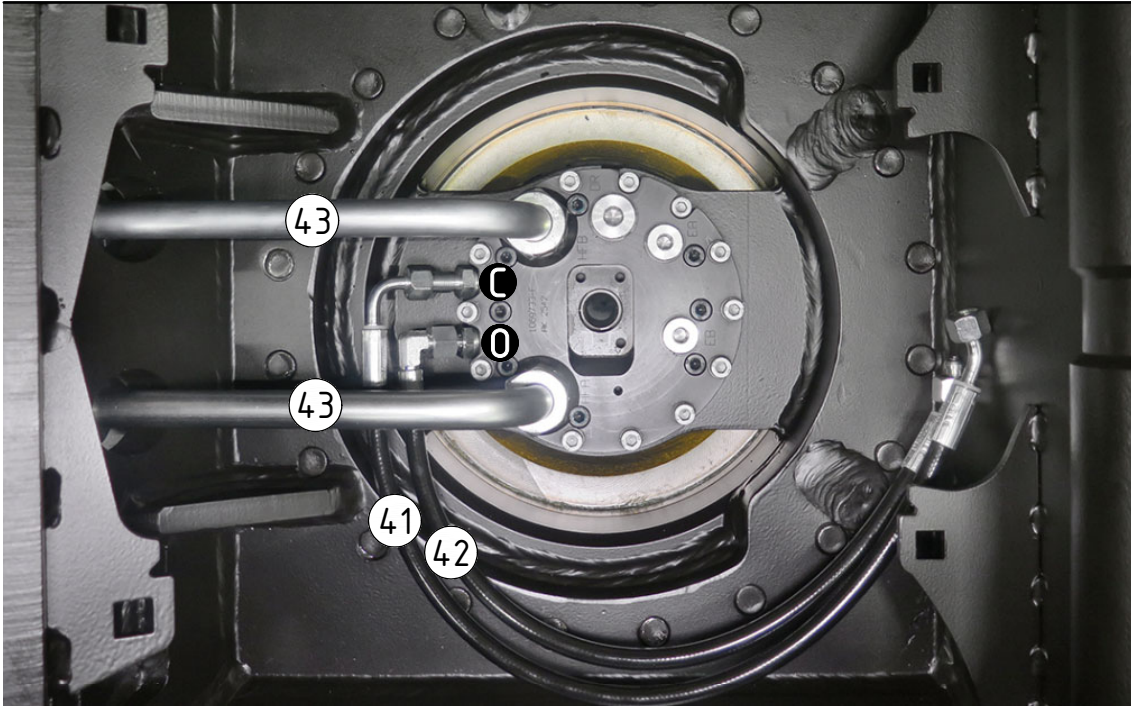
POS in order of assembly

POS	DESCRIPTION	PART	QTY	COMMENTS
12	For option Drain			See p.5 for instruction
15	Washer GBR04 1/4	710702	4	
16	Adapter 1260-04-04 (1/4")	710240	1	
17	Adapter 138-04-29 (1/4")	710135	3	
19	Adapter M30x2 // G3/4	7001855	4	
20	Adapter 401-06-06 90° (3/8")	710152	4	
21	Adapter 703-06-06 (3/8")	712221	1	
41	Hose Lock C	7001942	1	
42	Hose Lock O	7001943	1	
43	Pipe Extra QS80/CW QSM	1072343	2	
44	Quick coupling 3/4"	790193	2	
45	Dust protection 3/4"	790195	2	
46	Hose Extra 2 a	7001944	1	Dbl.Extra
47	Hose Extra 2 b	7001945	1	Dbl.Extra
48	Adapter 1260-06-43 (3/8")	710262	2	
49	Counternut 1270-06 (3/8")	710252	2	
50	Washer GBR06 3/8	710703	2	
51	Quick coupling 3/8"	790113	2	
52	Dust protection 3/8"	790120	2	



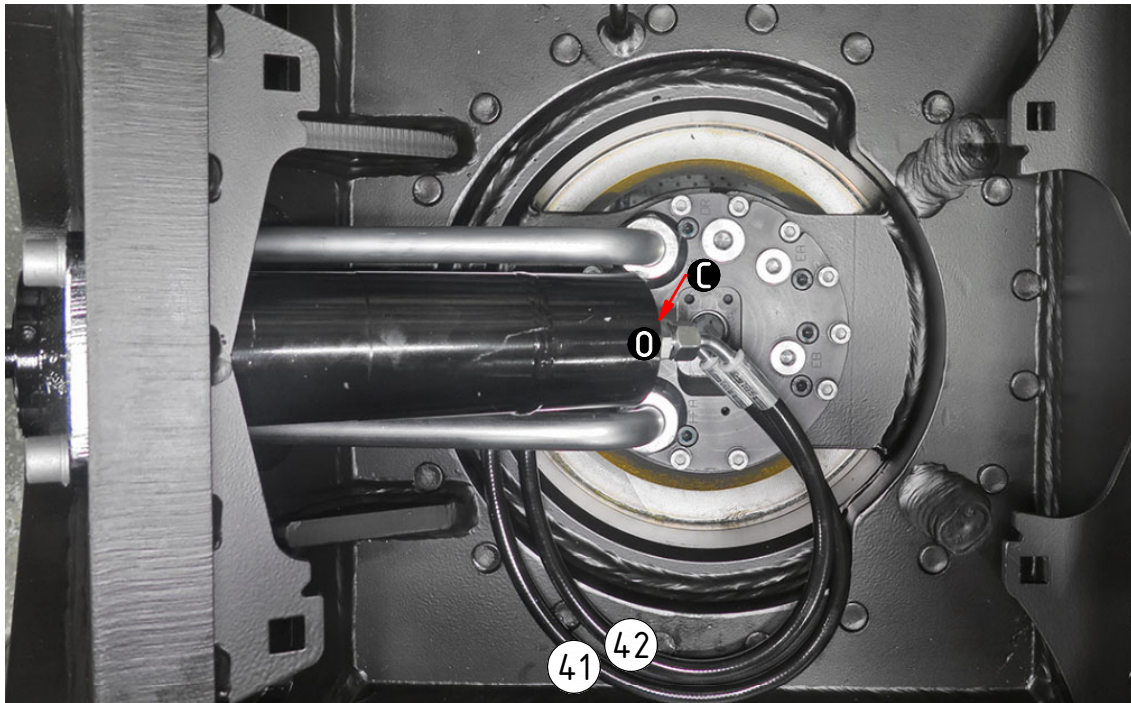
Dbl.Extra:



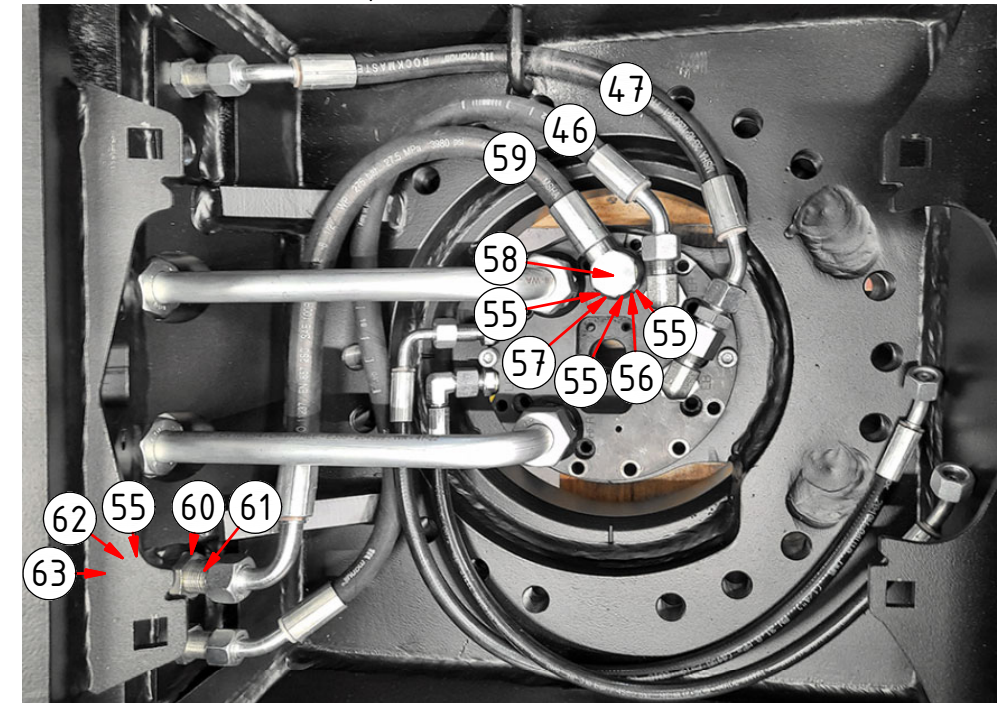


POS	DESCRIPTION	PART	QTY	COMMENTS
41	Hose Lock C	7001942	1	
42	Hose Lock O	7001943	1	
43	Pipe Extra QS80/CW QSM	1072343	2	
46	Hose Extra 2 a	7001944	1	Dbl.Extra
47	Hose Extra 2 b	7001945	1	Dbl.Extra
55	Washer GBR08 1/2	710704	4	Drain. Remove plug fr. connectionbl.
56	Adapter 236-08-08	710132	1	Drain
57	Adapter 830-08-08 (1/2")	710148	1	Drain
58	Banjo bolt 4451-08 (1/2")	710274	1	Drain
59	Hose Drain	7001946	1	Drain
60	Counternut 1270-08 (1/2")	710252	1	Drain
61	Adapter 1260-08-58 (1/2")	1035715	1	Drain
62	Quick coupling 1/2"	790115	1	Drain
63	Dust Protection 1/2"	790121	1	Drain

POS in order of assembly

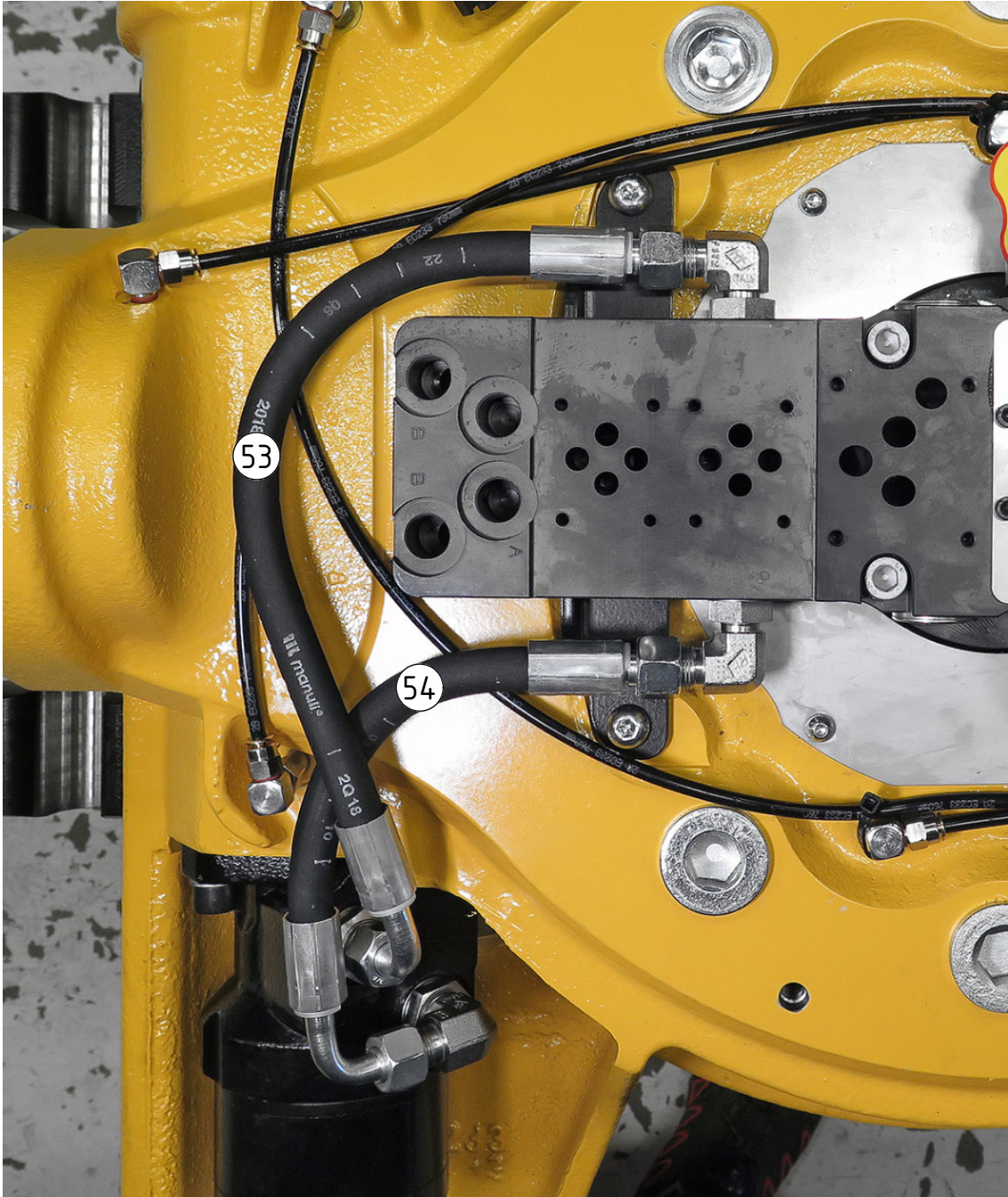


Options Dbl.Extra, Drain:



Motor hoses

POS	DESCRIPTION	PART	QTY	COMMENTS
53	Hose hydraulic motor Long	7000451	1	
54	Hose hydraulic motor Short	7000903	1	



POS in order of assembly