

COVERSHEET

Planned document changes:

Briefly:

No planned changes.

Document changes:

Date:	Change:	Rev. after change:
2026-07-02	Screws updated.	C
2023-11-27	Cover plate, plugs and o-ring updated.	B
2026-05-30	Gasket for coverplate added.	A
2022-01-11	New document.	-

Readers note:



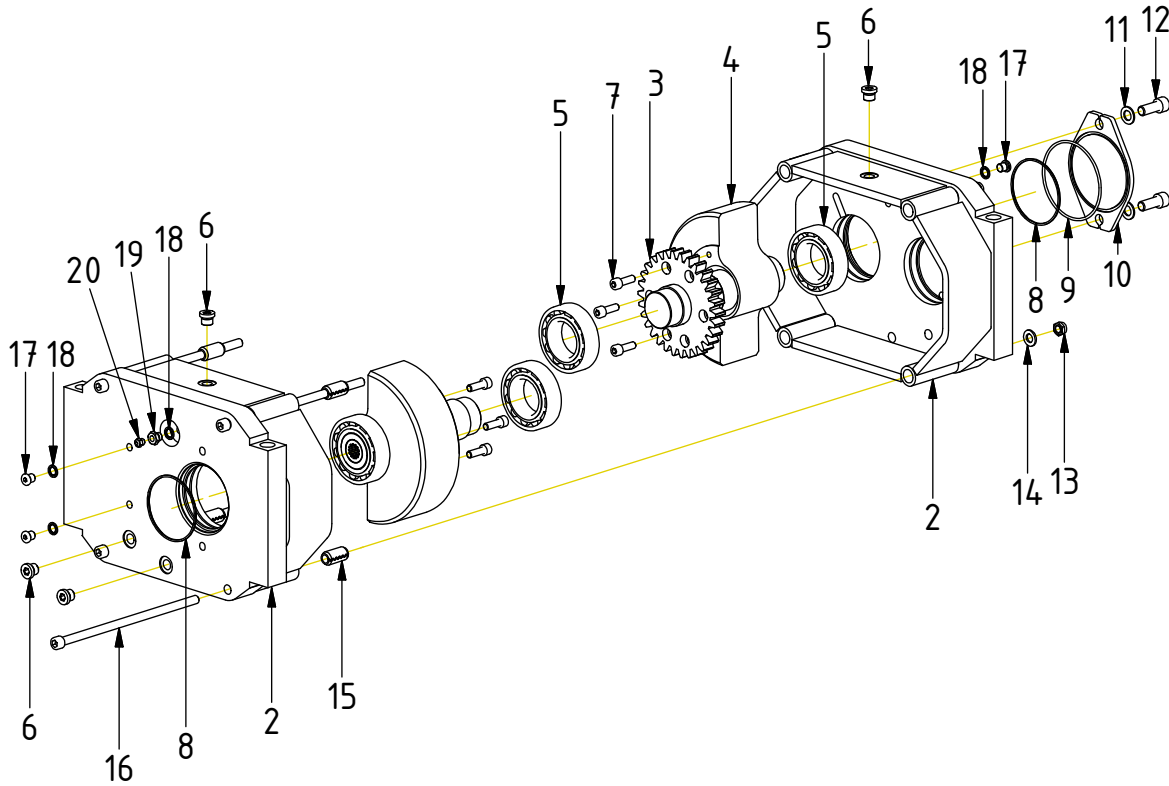
Indicates instruction.



Represents Hose.

Dashed lines for overview, mounts on other pages/assemblies.

POS in order of assembly



POS	DESCRIPTION	PART	QTY	COMMENTS
1	Generator PC6000	1059500	1	(POS.2-20 incl.)
2	Housing PC6000	1059517	2	Seal housings with silicone
3	Sprocket PC6000	1059494	2	
4	Weight with axle PC6000 V2	1059497	2	
5	Bearing 22211 E PC6000	6000296	4	
6	Plug 70125-06 (3/8")	711504	6	
7	Screw MC6S M10x30 12.9	610452	6	
8	O-ring 94,5x3,0	710928	2	
9	O-ring 113x3,5 NBR70	1074565	1	
10	Cover plate	1074564	1	
11	Washer BRB 15x26x2	611008	2	
12	Screw MC6S M14x35 12.9	610502	2	
13	Lock Nut M6M M12x1,75 8,8 FZB	610924	4	
14	Washer BRB 13x24x2,5 200 HV FZB	611007	4	
15	Connex ø20, L=20	6000295	4	
16	Screw MC6S 12x280 12.9 ZFSHL	600478	4	
17	Plug M12x1 DIN908	7000787	5	
18	Tredowasher M12	7000668	6	
19	Adapter M12x1/ 1/8" BSP	7001852	1	
20	Air bleed valve R1/8", 2.5bar	7001851	1	