

Components S1 GR20 EC219

Published: 2013-10-30

Drawing No: 1023196/A

COVERSHEET

Planned document changes:

POS.9 is 400910. POS.39 is 610635. (Neither belongs here, see "S1 Standard components")

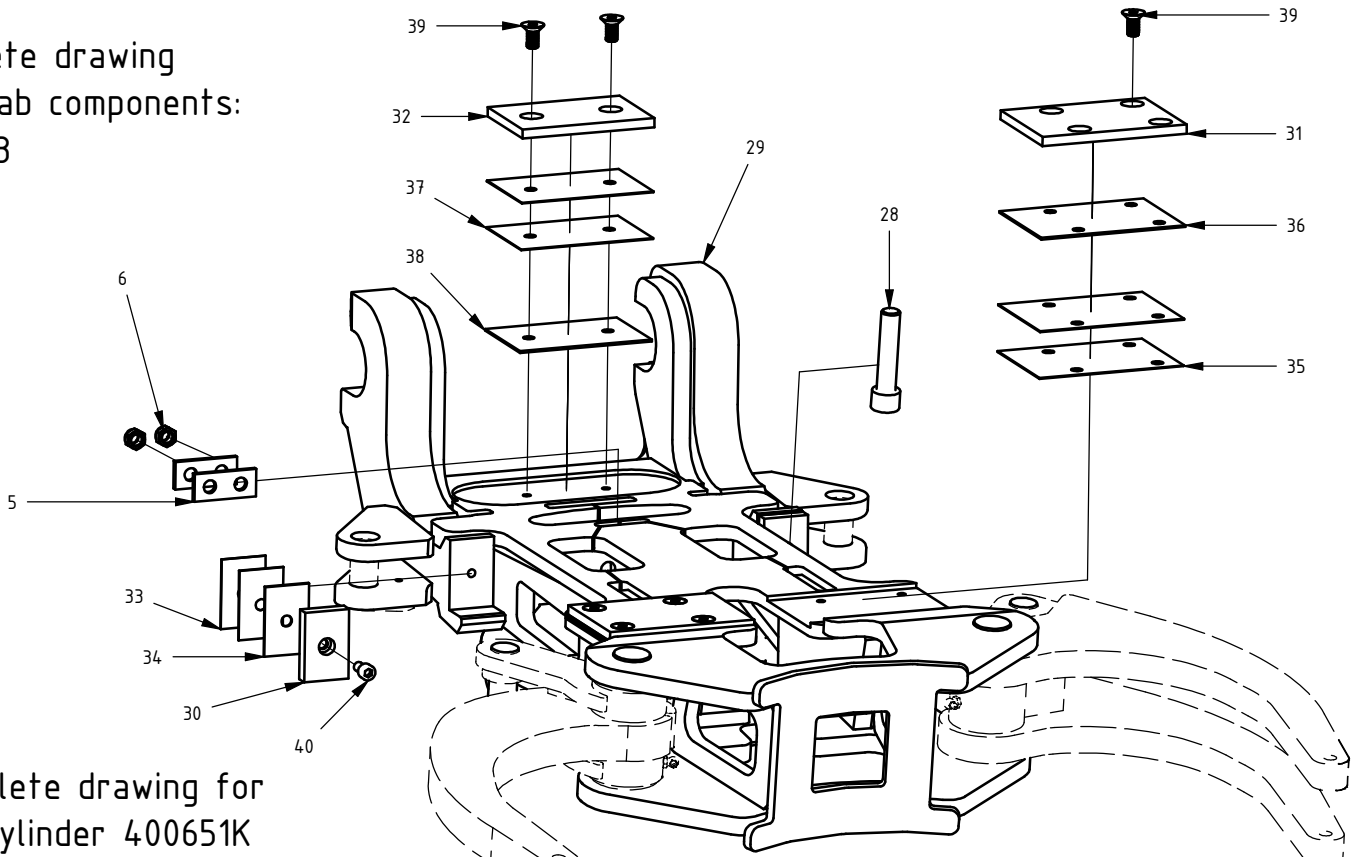
POS.12 replaced by 1024046 from 2016-04. POS.29 replaced by 1029883.

Components S1 GR20 EC219

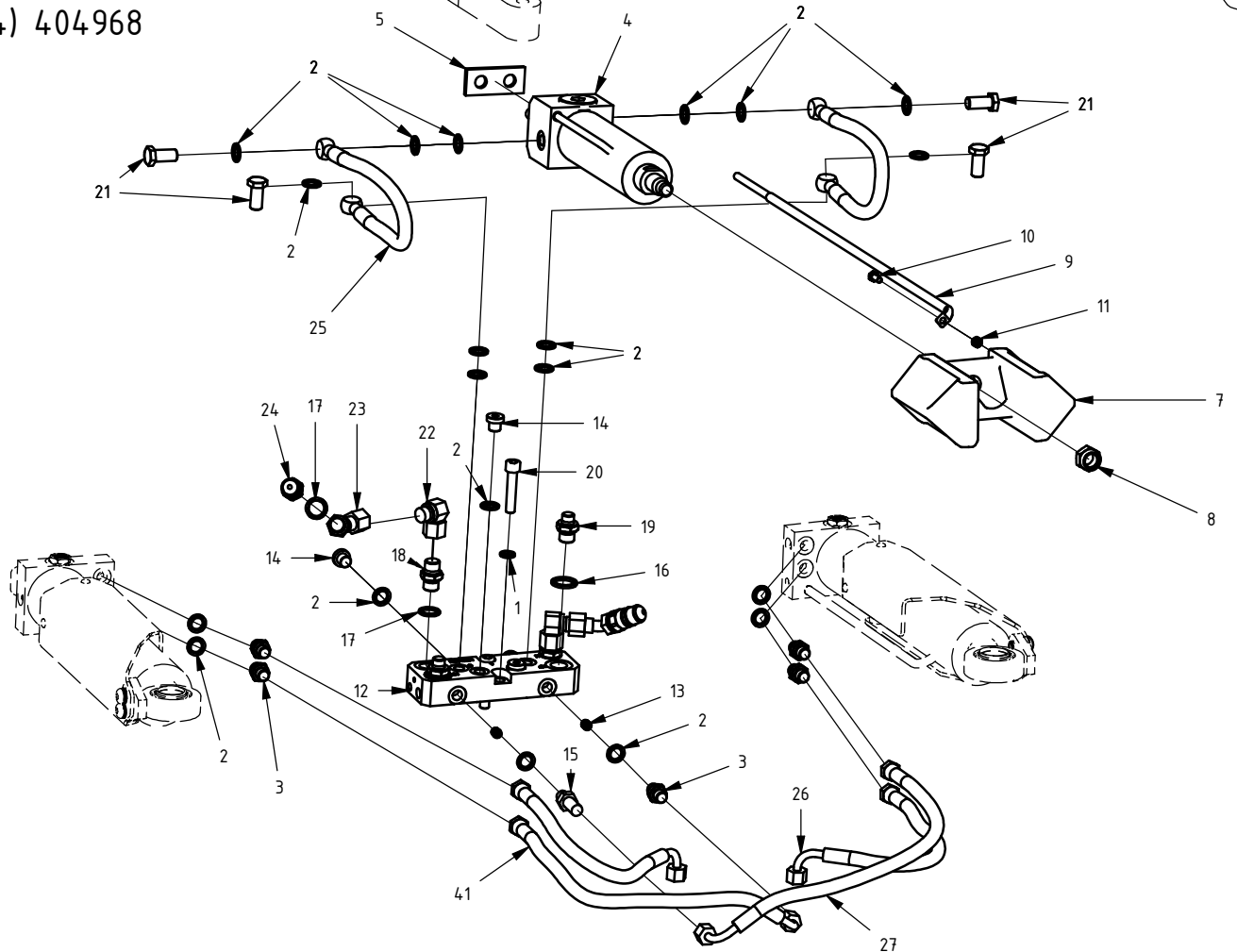
Published: 2013-10-30

Drawing No: 1023196/A

Complete drawing
for grab components:
404093



Complete drawing for
lockcylinder 400651K
(pos.4) 404968



Components S1 GR20 EC219

Published: 2013-10-30

Drawing No: 1023196/A

POS	DESCRIPTION	PART	QTY	COMMENTS
1	Nordlock washer 10	611041	2	
2	Sealing washer 04 (1/4")	710702	22	
3	Adapter	710135	5	138-04-29
4	Lockcylinder 20,30	400651K	1	
5	Bracket	400155	3	
6	Hex. Nut M12 Nylon Lock	610924	2	
7	Locking wedge S1	1015047	1	
8	Hex. Nut M16 Nylon Lock	610926	1	
9	Indicating stick	403408	1	
10	Hex Head Screw 6 x 16	610109	1	
11	Hex. Nut M6 Nylon Lock	610921	1	
12	Connection block EC10	202828	1	
13	Plugg 1/8 BSPT	711523	2	
14	Plug 1/4"	711505	4	
15	Shot Adapter straight	710240	1	
16	Sealing washer 08 (1/2")	710704	2	
17	Sealing washer 06 (3/8")	710703	4	
18	Adapter	710106	2	
19	Adapter	710120	2	
20	Socket Head Screw 10 x 50	610457	2	
21	Banjo	710271	4	
22	Adapter	710216	2	704-06
23	Adapter	710164	2	489-06-06
24	Quick coupler	790113	2	
25	Hose Locking	740235	2	
26	Hose Grab cylinder	742612	2	
27	Hose Grab cylinder	742611	2	
28	Socket Head Screw 20 x 90	610556	12	12.9 Untreated ISO 4762
29	S1 GR20 EC219	1018469	1	
30	Shims hook	400511	2	
31	Shims large	400512	2	
32	Shims small	400513	1	
33	Shims hook 1mm QC20	400528	4	
34	Shims hook 2mm QC20	400529	2	
35	Shims large 1mm	400530	4	
36	Shims large 2mm	400531	2	
37	Shims small 1mm	400532	2	
38	Shims small 2mm	400533	1	
39	Screw MF6S 10x25H	610662	10	
40	Socket Head Screw 10 x 20	610451	2	
41	Hose Kit Grab	742614	1	