

## COVERSHEET

### Planned document changes:

**Briefly:**

No planned changes.

### Document changes:

**Date:**

**Change:**

**Rev.**

**after change:**

2018-05-16

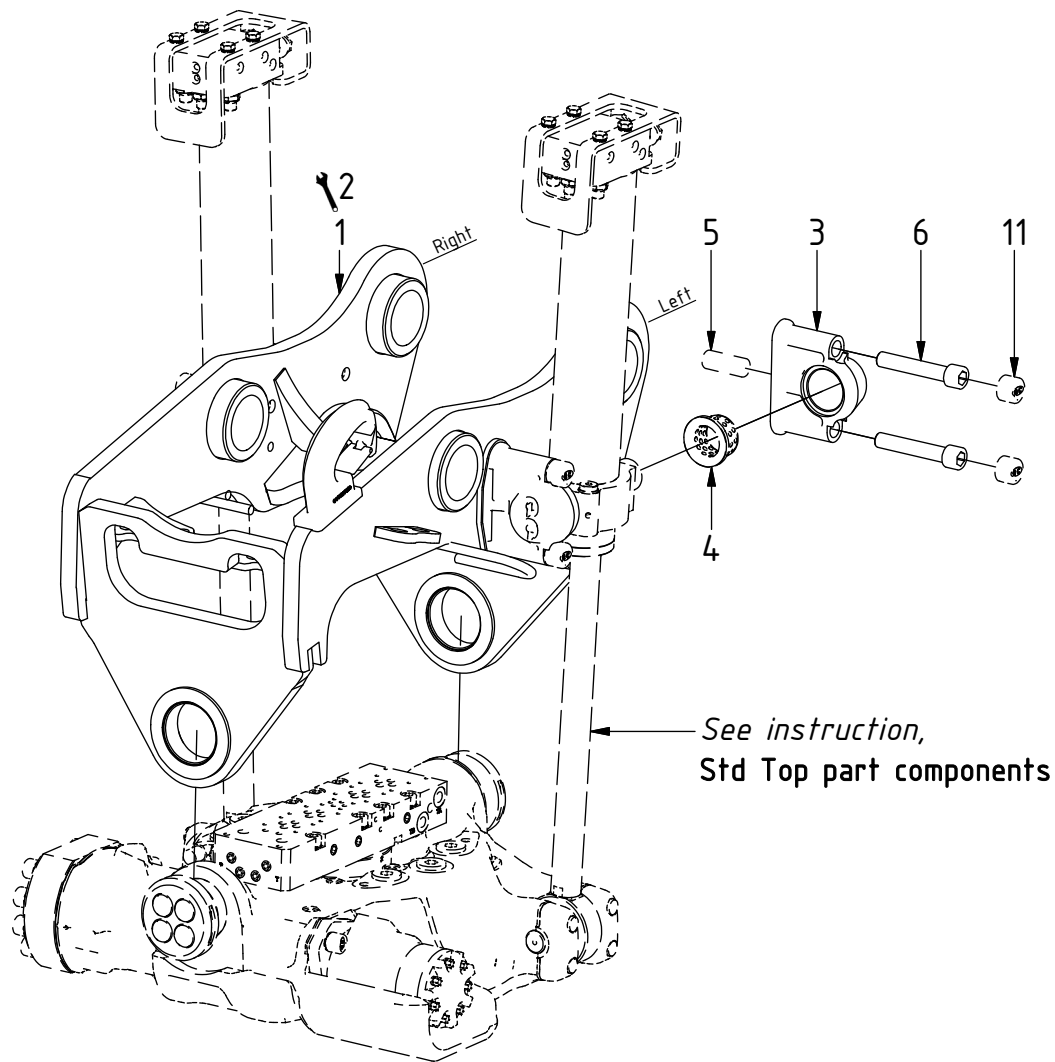
New instruction.

-

# EC209 - Liebherr Top part

POS	DESCRIPTION	PART	QTY	COMMENTS
1	Top part Liebherr	1041255	1	
2	For SW33			See separate instruction
3	Yoke bracket	1023212	4	(POS.4-5 included)
4	Bushing 35/45/55/5x30	631003	4	
5	Cylindrical pin CPK $\varnothing 20 \times 50$	650211	4	
6	Screw MC6S 16x90	610530	8	Torque: 333Nm
11	Screw Cover M16	611302	8	Part of make up

POS in order of assembly



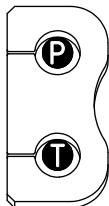
# EC209 - Liebherr Top part

**P** = 7  
**T** = 7

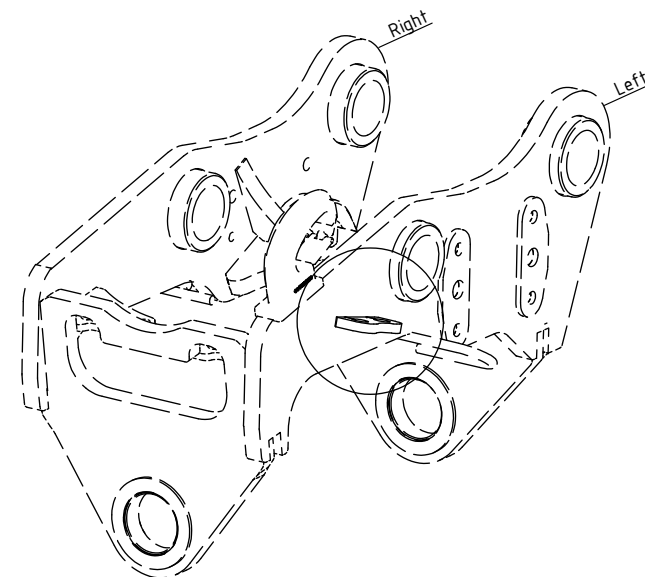
FEED:

Main feed:

Standard



POS	DESCRIPTION	PART	QTY	COMMENTS
7	Use washer, adapter, nut according to POS.8, 9, 10			
8	Washer NL 16mm	611044	2	
9	Adapter 1260-06-32 (3/8")	710242	2	
10	Bulkhead adapter nut 3/8"	710252	2	



POS in order of assembly

# EC209 - Liebherr Top part

FEED:

POS	DESCRIPTION	PART	QTY	COMMENTS
	Attach feed hoses from control system			

POS in order of assembly

