

COVERSHEET

Planned document changes:


Briefly:

No planned changes.

Document changes:

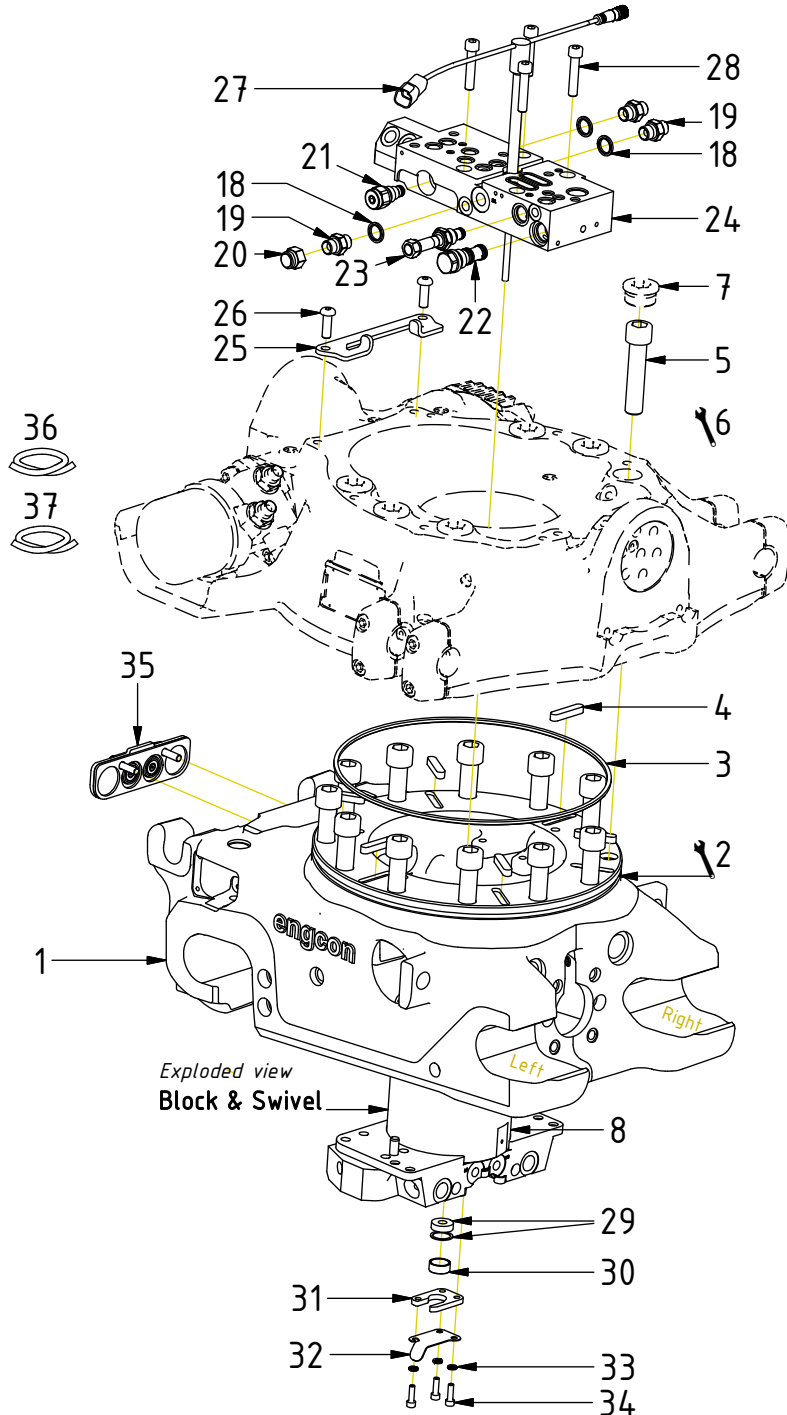
Date:	Change:	Rev. after change:
2026-08-06	Valve block and swivel stop replaced.	H
2025-01-07	Motor hoses updated.	G
2024-08-28	Slip ring part no corrected.	F
2024-03-13	Photos updated.	E
2024-02-29	Photos added.	D
2024-02-20	Part no for lock hoses corrected.	C
2024-02-07	Motor hoses added. Lock hoses updated.	B
2023-09-26	Quick hitch updated.	A
2023-05-10	New document.	-

Readers note:

 Indicates instruction.

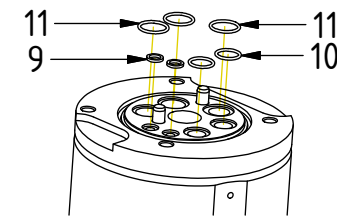
 Represents Hose.

Dashed lines for overview, mounts
on other pages/assemblies.



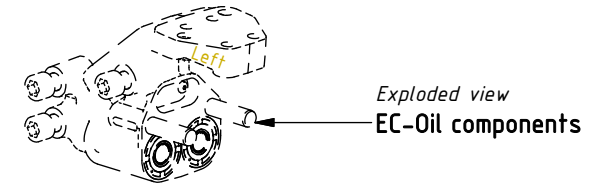
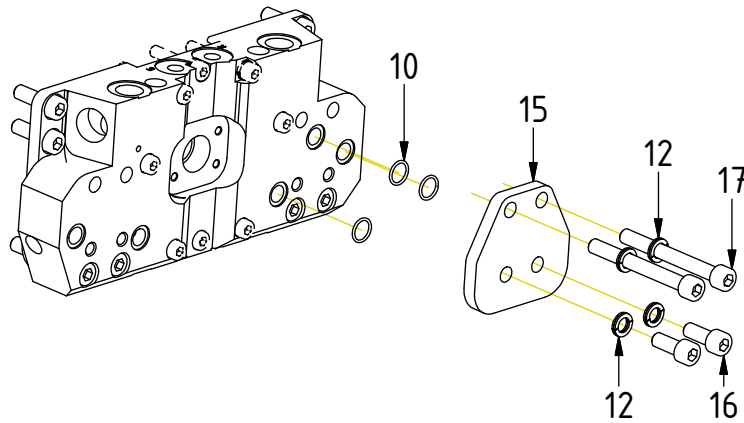
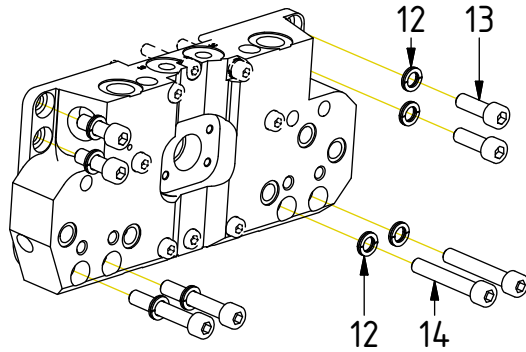
POS	DESCRIPTION	PART	QTY	COMMENTS
1	Quick hitch QSM60/S60 219/319 V3	1066701	1	
2	Grease the ring			
3	O-ring 319,3x5,7	710908	1	
4	Feather Key	650102	6	
5	Screw MC6S M20x90 12.9	610556	12	Torque: 649Nm
6	Torque tighten rotator frame to hitch. Rotate to access all holes			
7	Pipe plug M36x2	650408	6	Part of rotator frame
8	Connect. block & swivel QSM Compl.	1050600	1	
9	O-ring 7,66x1,68 square	7000579	2	
10	O-ring 14x1,78	710975	5	
11	O-ring 17,17x1,78	710977	2	
18	Washer GBR06 3/8	710703	7	
19	Adapter 136-06-06 (3/8")	710106	3	
20	Protective cap 155-06 (3/8")	711626	1	
21	Checkvalve R08S-203	7001758	1	
22	Compensator L10S-3C00-0N LS	7001926	1	
23	Valve E08N-22K	7001923	1	
24	Valve block bottom	1083889	1	
25	Swivel stop V2	1084861	1	
26	Screw K6S M10x30 10.9 FZB	6000193	2	Loxéal 83-52
27	Slip ring QSM M12	1046763	1	Mount with marine silicone
28	Screw MC6S M10x50 12.9 ZFSHL	611515	4	Loxéal 55-02. Torque: 79Nm
29	Rubber bushing	1046691	1	Use the outer ring. Washer down
30	Ring slip ring	1046692	1	
31	Plate slip ring	1046689	1	
32	Plate cable steering	1046694	1	
33	Washer NL 6mm	611039	3	
34	Screw MC6S M6x20 8,8 FZB	610310	3	
35	Cover plate magnet	1049327	1	
36	Hose hydraulic motor Short	7002037	1	
37	Hose hydraulic motor Long	7002038	1	

Between swivel & valve block:



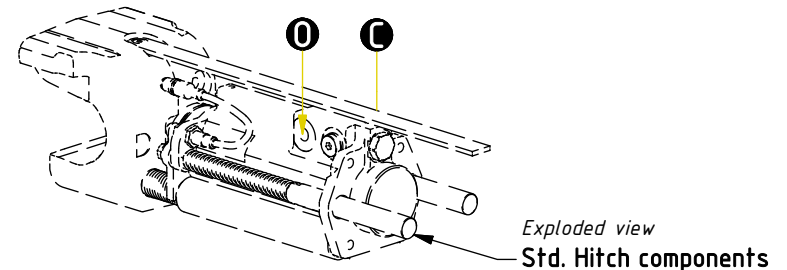
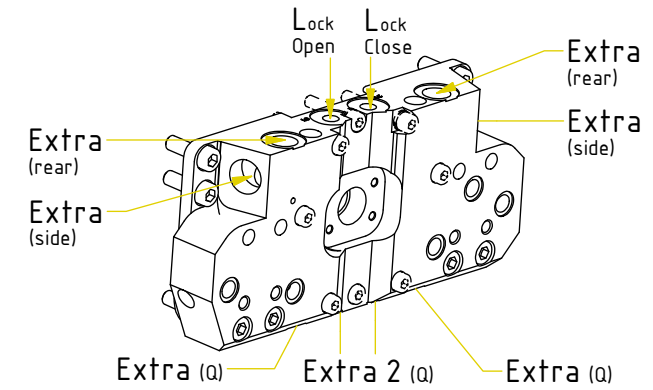
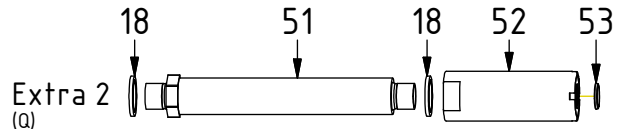
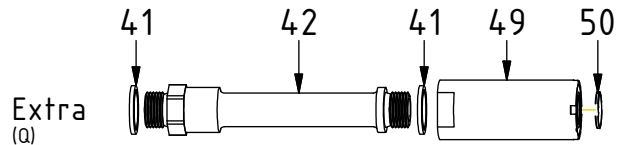
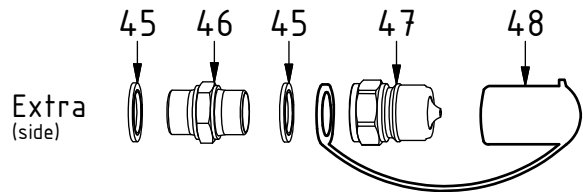
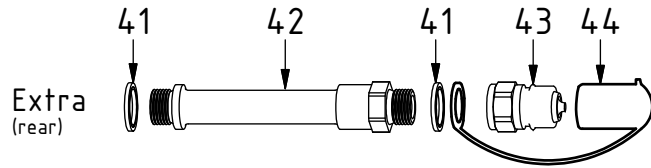
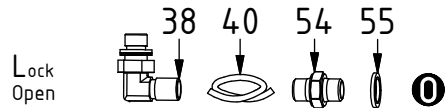
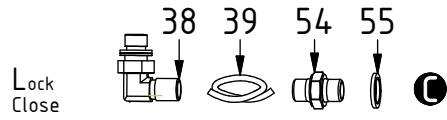
POS in order of assembly

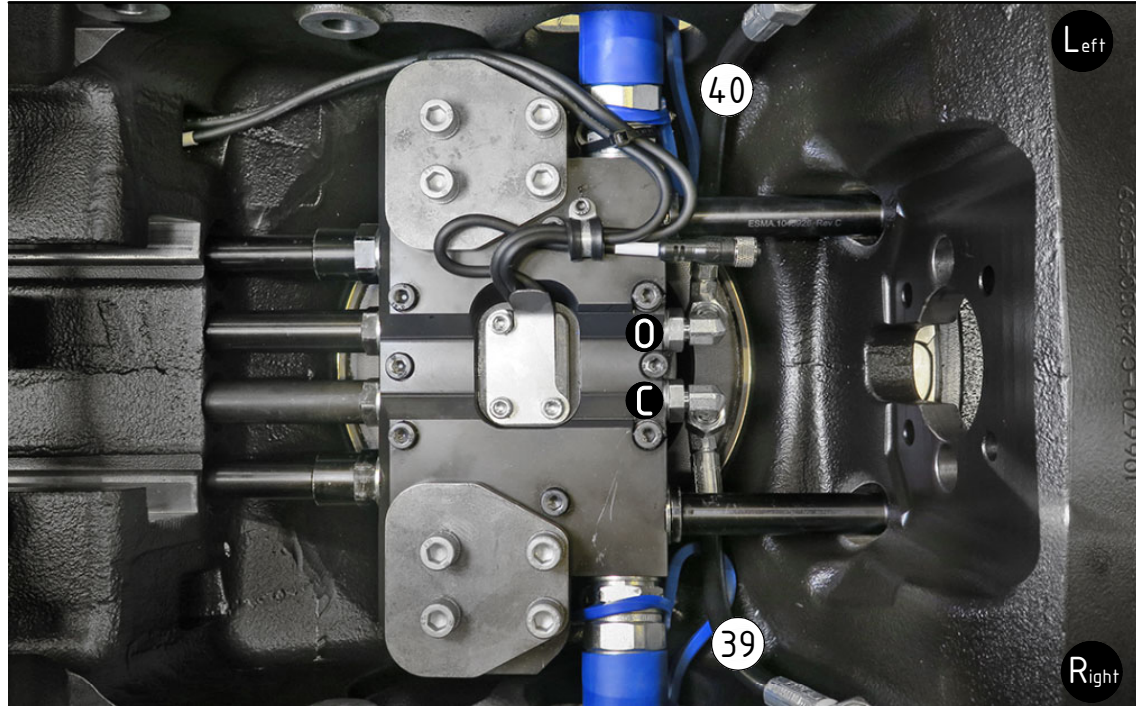
POS	DESCRIPTION	PART	QTY	COMMENTS
10	O-ring 14x1,78	710975	5	
12	Washer NL 10mm	611041	12	
13	Screw MC6S M10x30 12.9 Geomet	612018	4	
14	Screw MC6S M10x60 12.9 Geomet	611503	4	
15	Cover plate	1044.083	1	
16	Screw MC6S M10x25 12.9 ZFSHL	6000195	2	
17	Screw MC6S M10x90 12.9 ZFSHL	6000153	2	



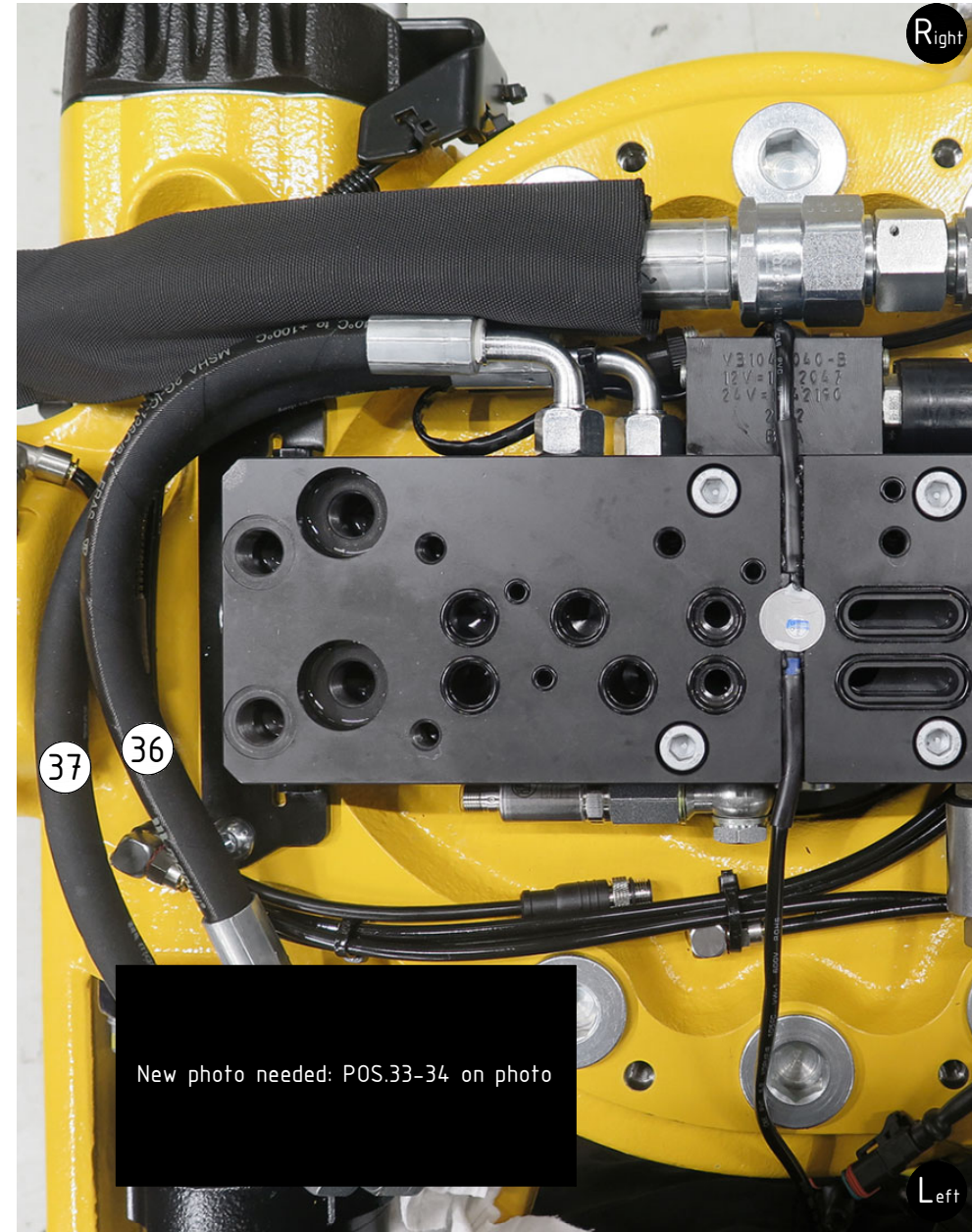
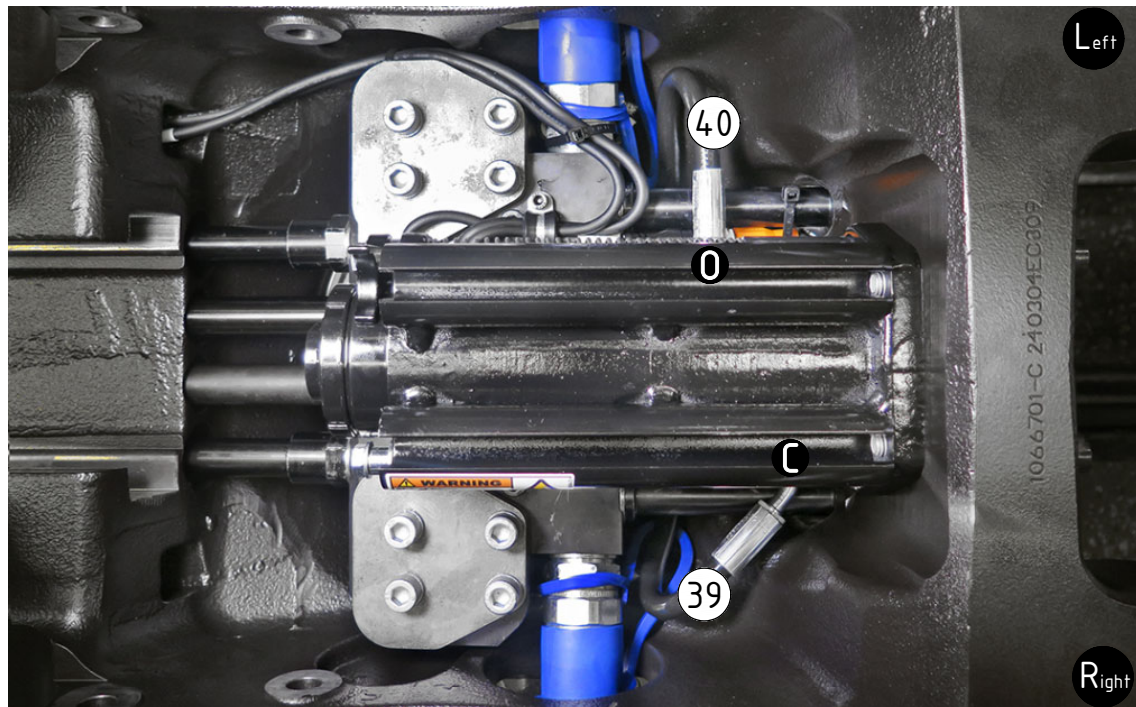
POS in order of assembly

POS	DESCRIPTION	PART	QTY	COMMENTS
18	Washer GBR06 3/8	710703	7	
38	Adapter 401-04-04 90° (1/4")	710151	2	
39	Hose Lock Close	7001956	1	
40	Hose Lock Open	7001957	1	
41	Washer GBR08 1/2	710704	8	
42	Adapter extension extra 1/2"	1045926	4	
43	Quick coupling 1/2"	790115	2	
44	Dust Protection 1/2"	790121	2	
45	Washer GBR12 3/4	710706	4	
46	Adapter 136-12-12 (3/4")	710126	2	
47	Quick coupling 3/4"	790193	2	
48	Dust Protection 3/4"	790195	2	
49	Coupling ECO QSM 1/2" female V3	1055420	2	Loxreal 83-52. (POS.50 incl.)
50	Flat sealing for ECO 1/2" V3	1050018	2	
51	Adapter extension 3/8"	1045927	2	
52	Coupling ECO QSM 3/8" female V3	1055682	2	Loxreal 83-52. (POS.53 incl.)
53	Flat sealing for ECO 3/8" V3	1052976	2	
54	Adapter 138-04-29 (1/4")	710135	2	
55	Washer GBR04 1/4	710702	2	





POS	DESCRIPTION	PART	QTY	COMMENTS
36	Hose hydraulic motor Short	7002037	1	
37	Hose hydraulic motor Long	7002038	1	
39	Hose Lock Close	7001956	1	
40	Hose Lock Open	7001957	1	



New photo needed: POS.33-34 on photo

RELATED SPARE PARTS

POS	DESCRIPTION	PART	QTY	COMMENTS
24	Valve block bottom	1083889	1	
25	Swivel stop V2	1084861	1	
56	Valve block bottom	1076508	1	Replaced by POS.24 from 2026-05
57	Swivel stop EC319	1067448	1	Replaced by POS.25 from 2026-05

POS in order of assembly

Replaced from 2026-05

