

# Hitch ECO60 W

## COVERSHEET

### Planned document changes:

**Briefly:**

2024-11-15. Add to POS.21: Torque: 217Nm.  
Add to POS.30: Torque: 333Nm.

### Document changes:

| Date:      | Change:                                | Rev.<br>after change: |
|------------|--|-----------------------|
| 2024-07-01 | Screws updated.                        | E                     |
| 2022-06-13 | Screws updated.                        | D                     |
| 2020-03-26 | Couplings replaced. Spare parts added. | C                     |
| 2019-08-16 | QSM blocks updated.                    | B                     |
| 2019-01-10 | QSM added.                             | A                     |
| 2018-02-14 | New document.                          | -                     |

*Readers note:*

Indicates instruction.



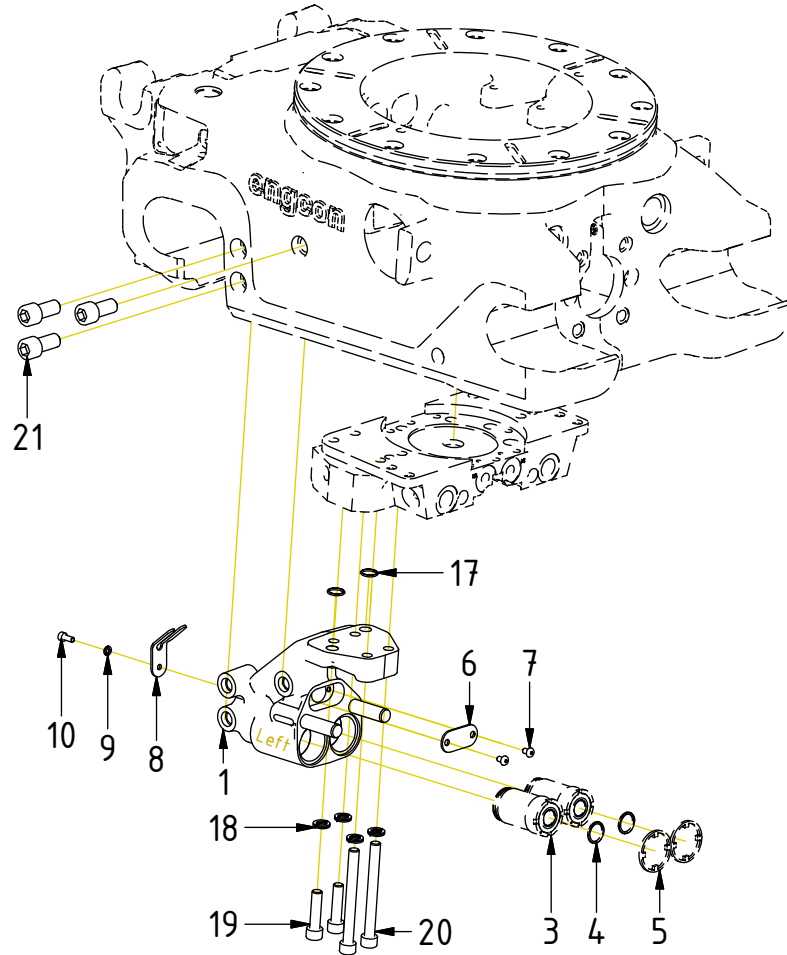
Represents Hose.

Dashed lines for overview, mounts  
on other pages/assemblies.

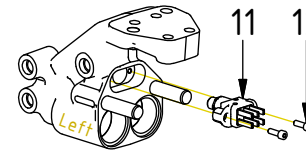
QSM60

| POS | DESCRIPTION                        | PART    | QTY | COMMENTS                     |
|-----|------------------------------------|---------|-----|------------------------------|
| 1   | Block ECO60W QSM 2hy. Left Compl.  | 1055736 | 1   | (POS.2-3, 5 incl.)           |
| 2   | Block ECO60 W Hitch QSM Left       | 1051128 | 1   |                              |
| 3   | Coupling ECO W 1/2" V3             | 1054580 | 2   | Torque: 60Nm. (POS.4 incl.)  |
| 4   | Flat sealing for ECO W 1/2" V3     | 1050018 | 2   |                              |
| 5   | Dirt protection Block ECO 1/2"     | 1028229 | 2   |                              |
| 6   | Cover plate                        | 1049191 | 1   |                              |
| 7   | Screw K6S M5x8 10.9 FZB            | 611801  | 2   |                              |
| 8   | Cover plate cable ECO60 W QSM      | 1051584 | 1   |                              |
| 9   | Washer NL 5mm                      | 611038  | 1   |                              |
| 10  | Screw MC6S M5x12 12.9              | 6000077 | 1   |                              |
| 11  | Power Plug ECO60 W QSM             | 1050792 | 1   | Connect to slip ring QSM     |
| 12  | Screw MC6S M5x16 12.9              | 610401  | 2   | Loxael 55-02                 |
| 13  | Block ECO60W QSM 3hy. Right Compl. | 1055737 | 1   | (POS.3, 5, 14, 16 incl.)     |
| 14  | Coupling ECO W 3/8" V3             | 1053029 | 1   | Torque: 60Nm. (POS.15 incl.) |
| 15  | Flat sealing for ECO W 3/8" V3     | 1052976 | 1   |                              |
| 16  | Dirt protection ECO 3/8"           | 1028274 | 1   |                              |
| 17  | O-ring 14x1,78                     | 710975  | 2   | QTY: 3 on right block        |
| 18  | Washer NL 10mm                     | 611041  | 4   |                              |
| 19  | Screw MC6S M10x40 12.9 ZFSL        | 612020  | 2   | Torque: 79Nm                 |
| 20  | Screw MC6S M10x100 12.9            | 610466  | 2   | Torque: 79Nm                 |
| 21  | Screw MC6S M14x30 12.9 ZFSL        | 6000197 | 3   | Loxael 83-52                 |

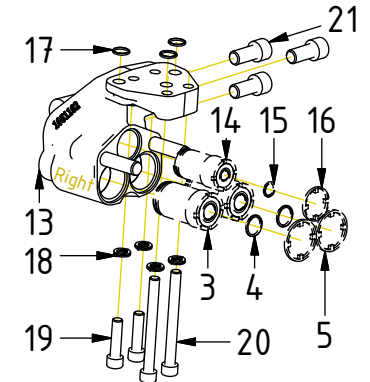
POS in order of assembly



Option 1 el:



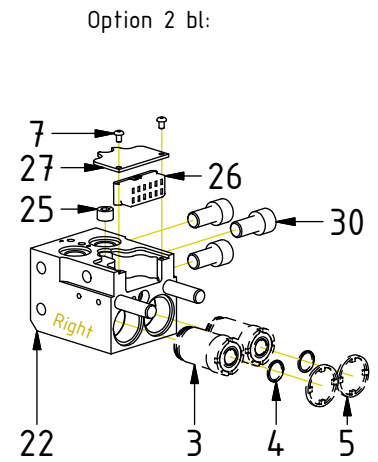
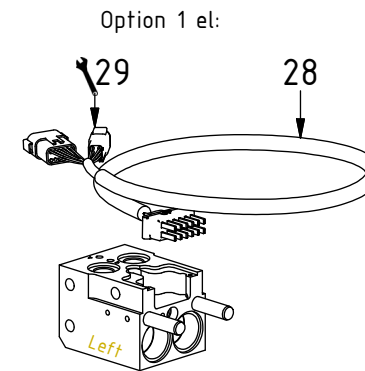
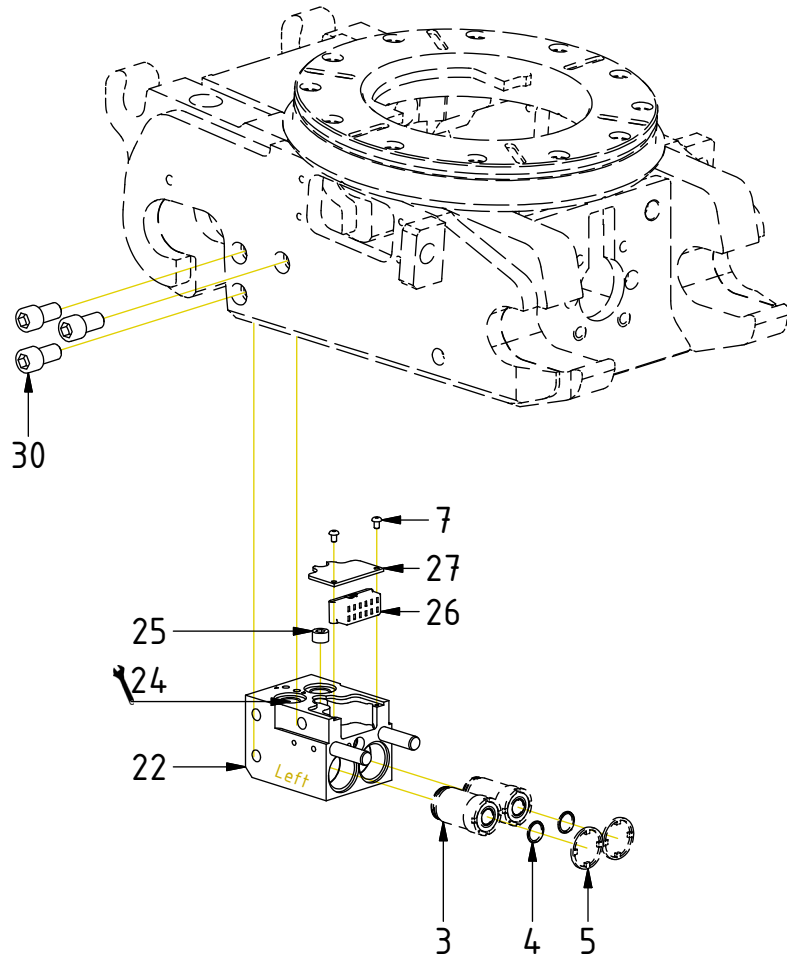
Option 2 bl:



QS60

| POS | DESCRIPTION                       | PART    | QTY | COMMENTS                             |
|-----|-----------------------------------|---------|-----|--------------------------------------|
| 3   | Coupling ECO W 1/2" V3            | 1054580 | 2   | Torque: 60Nm. (POS.4 incl.)          |
| 4   | Flat sealing for ECO W 1/2" V3    | 1050018 | 2   |                                      |
| 5   | Dirt protection Block ECO 1/2"    | 1028229 | 2   |                                      |
| 7   | Screw K6S M5x8 10.9 FZB           | 611801  | 2   |                                      |
| 22  | Block ECO60 W 2hy. Complete       | 1055716 | 1   | (POS.3, 5, 23 incl.)                 |
| 23  | Block ECO60 W Hitch               | 1042480 | 1   |                                      |
| 24  | Adapters according to Quick hitch |         |     | See "Quick hitch"                    |
| 25  | Pipe plug DIN 906 M16x1,5         | 711529  | 1   |                                      |
| 26  | Plug ECO W - Hitch                | 1041814 | 1   |                                      |
| 27  | Coverplate block ECO60/70 W Hitch | 1041139 | 1   |                                      |
| 28  | Power plug ECO W DTM              | 1042243 | 1   | Cable gland torque: 6Nm              |
| 29  | 6P, connect to slip ring          |         |     | See "Slip rings" (additional cables) |
| 30  | Screw MC6S M16x30 12.9 ZFSHL      | 6000201 | 3   | Loxal 83-52                          |

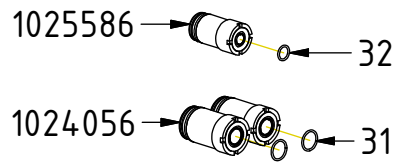
POS in order of assembly



## SPARE PARTS

| POS | DESCRIPTION                    | PART    | QTY | COMMENTS   |
|-----|--------------------------------|---------|-----|--|
| 3   | Coupling ECO W 1/2" V3         | 1054580 | 2   | Torque: 60Nm. (POS.4 incl.)                      |
| 4   | Flat sealing for ECO W 1/2" V3 | 1050018 | 2   |  |
| 14  | Coupling ECO W 3/8" V3         | 1053029 | 1   | Torque: 60Nm. (POS.15 incl.)                     |
| 15  | Flat sealing for ECO W 3/8" V3 | 1052976 | 1   |  |
| 31  | O-ring 17.17x1.78              | 710913  | 2   | Used until 2020-03<br>Seperate seal kit: 7000046 |
| 32  | O-ring 12,42x1,78              | 712417  | 1   | Used until 2020-03<br>Seperate seal kit: 7000045 |

POS in order of assembly



O-rings between versions  
are not compatible