

COVERSHEET

Planned document changes:

Briefly:

No planned changes.

Document changes:

Date:	Change:	Rev. after change:
2025-10-16	Seal kit added.	F
2023-05-26	Part nos added. Sizes separated to own exploded views.	E
2020-11-03	QSM70 parts for EC226 added.	D
2020-03-03	QSM45 added.	C
2019-10-08	Layout/irrelevant.	B
2019-08-23	Complete with block added.	A
2018-05-31	New document.	-

Readers note:

Indicates instruction.

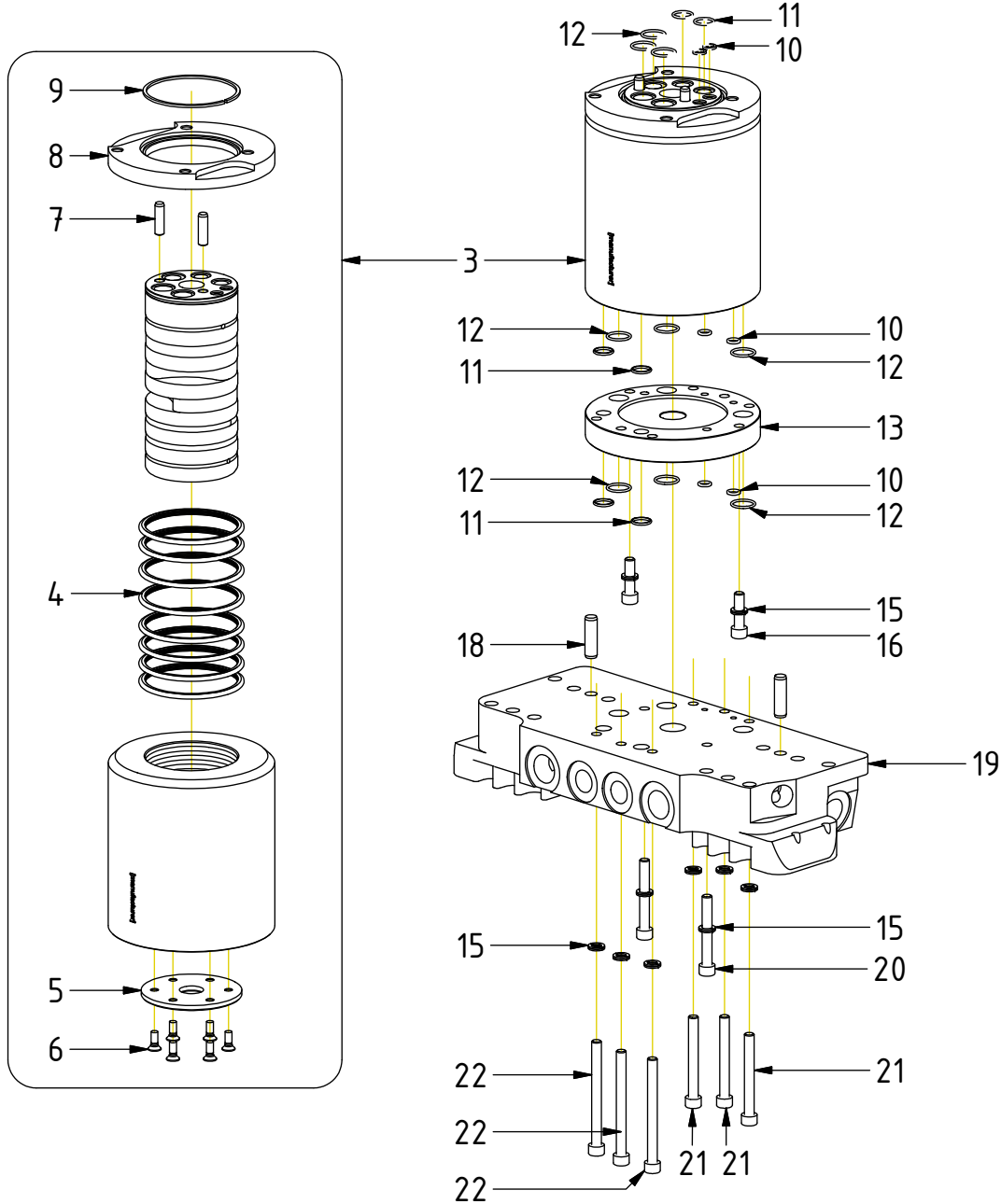


Represents Hose.

Dashed lines for overview, mounts
on other pages/assemblies.

Connection block & Swivel QSM70

EC226/EC326

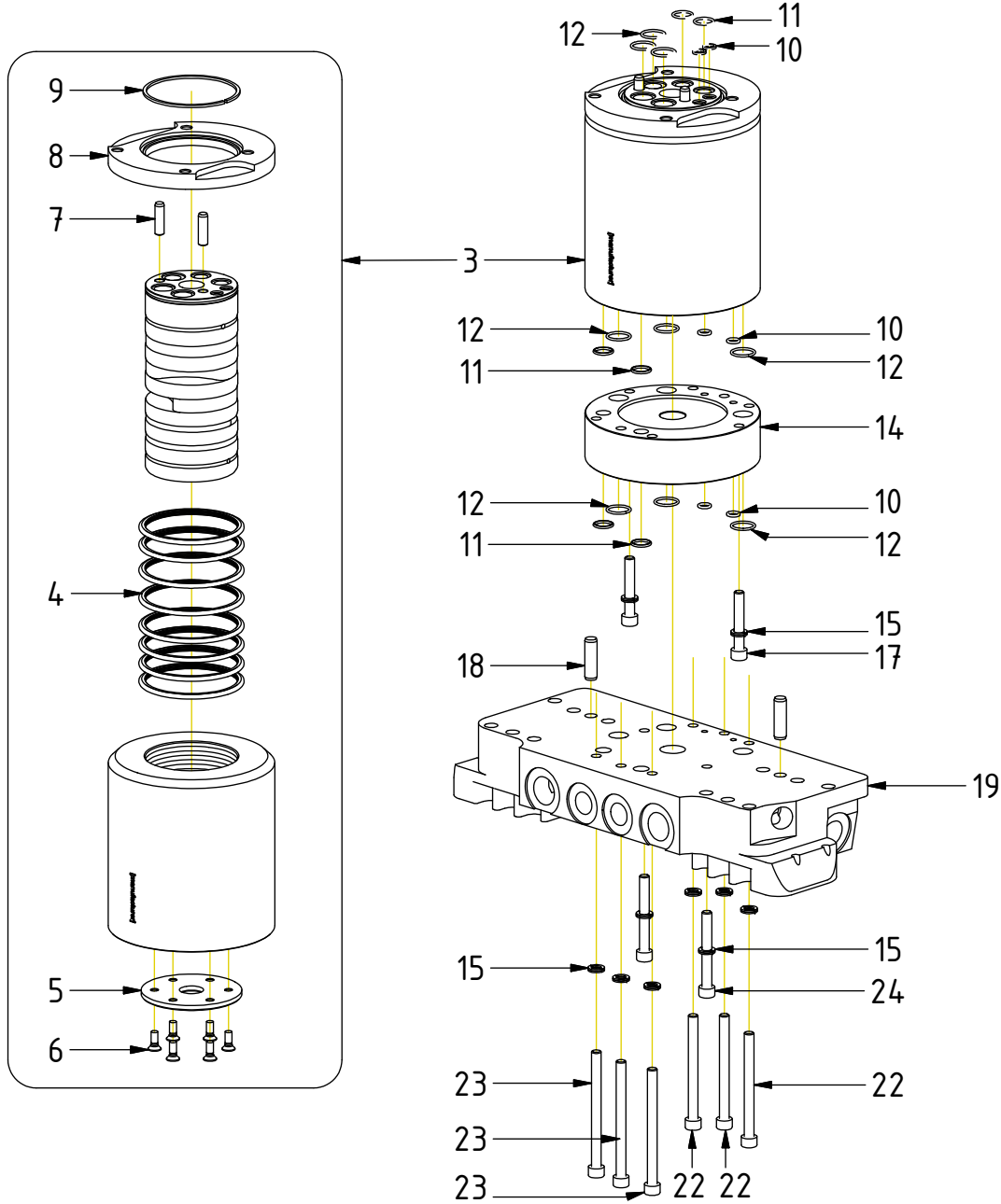


POS	DESCRIPTION	PART	QTY	COMMENTS
1	Connectionbl. & Swivel QSM70 ECx26	1052682	1	(POS.3, 10-13, 15-16, 18-22 incl.)
3	Swivel 7-ch QSM60/70 Compl. Steel	1049276	1	(POS.4-9 incl.)
4	Swivel Sealing 80/91x4,2	1039544	8	
5	Wear washer QSM60/70	1046697	1	
6	Screw MFT 6x16TX30 8.8 FZB	6000406	12	Torque: 9,8Nm
7	Dowel pin CPK 8x30 m6	6000175	2	
8	Fastening ring swivel QSM60/70	1044052	1	
9	Snap ring 80/77,4 x2	1039555	1	
10	O-ring square 7,66x1,68	7000579	6	QTY: 2 part of quick hitch assy.
11	O-ring 14x1,78	710975	6	QTY: 2 part of quick hitch assy.
12	O-ring 17.17x1.78	710977	9	QTY: 3 part of quick hitch assy.
13	Extender swivel QSM70 Steel ECx26	1052685	1	
15	Washer NL 8mm	611040	10	
16	MC6S M8x30 12.9	610435	2	Torque: 40Nm
18	Cylindrical pin	1015672	2	
19	Connection block QSM70	1049313	2	
20	MC6S M8x60 12.9	610441	2	Torque: 40Nm
21	MC6S M8x70 12.9	610443	3	Torque: 40Nm
22	MC6S M8x90 12.9	610444	3	Torque: 40Nm
25	Separate seal kit	7001495	1	(Contains seals and o-rings)

POS in order of assembly

Connection block & Swivel QSM70

EC233/EC333



POS	DESCRIPTION	PART	QTY	COMMENTS
2	Connectionbl. & Swivel QSM70 ECx33	1050703	1	(POS.3, 10-12,14-15,17-19,22-24 incl.)
3	Swivel 7-ch QSM60/70 Compl. Steel	1049276	1	(POS.4-9 incl.)
4	Swivel Sealing 80/91x4,2	1039544	8	
5	Wear washer QSM60/70	1046697	1	
6	Screw MFT 6x16TX30 8.8 FZB	6000406	12	Torque: 9,8Nm
7	Dowel pin CPK 8x30 m6	6000175	2	
8	Fastening ring swivel QSM60/70	1044052	1	
9	Snap ring 80/77,4 x2	1039555	1	
10	O-ring square 7,66x1,68	7000579	6	QTY: 2 part of quick hitch assy.
11	O-ring 14x1,78	710975	6	QTY: 2 part of quick hitch assy.
12	O-ring 17.17x1.78	710977	9	QTY: 3 part of quick hitch assy.
14	Extender swivel QSM70 Steel ECx33	1050762	1	
15	Washer NL 8mm	611040	10	
17	MC6S M8x50 12.9	610439	2	Torque: 40Nm
18	Cylindrical pin	1015672	2	
19	Connection block QSM70	1049313	2	
22	MC6S M8x90 12.9	610444	3	Torque: 40Nm
23	MC6S M8x100 12.9	610447	3	Torque: 40Nm
24	MC6S M8x65 12.9	610442	2	Torque: 40Nm
25	Separate seal kit	7001495	1	(Contains seals and o-rings)

POS in order of assembly