

COVERSHEET

Planned document changes:


Briefly:

2026-06-23. Correct description POS.8: Banjo bolt 4451-02 (1/8").

Document changes:

Date:	Change:	Rev. after change:
2023-12-12	Coversheet added.	D

Readers note:

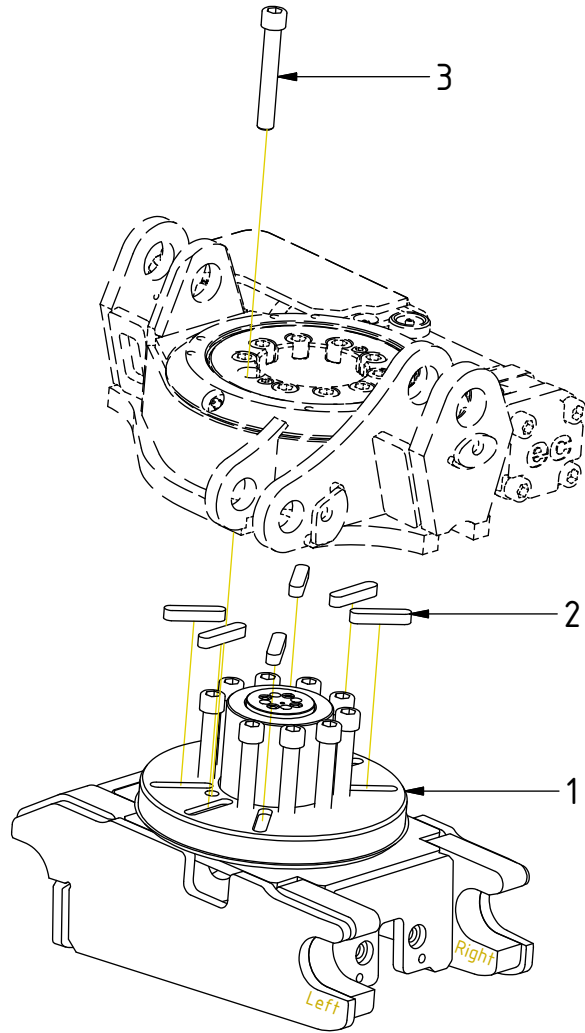
 Indicates instruction.

 Represents Hose.

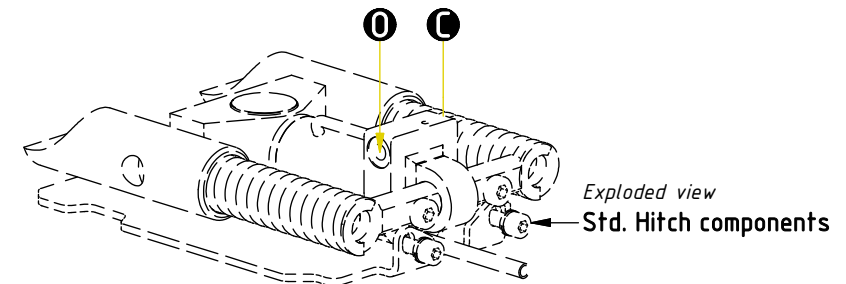
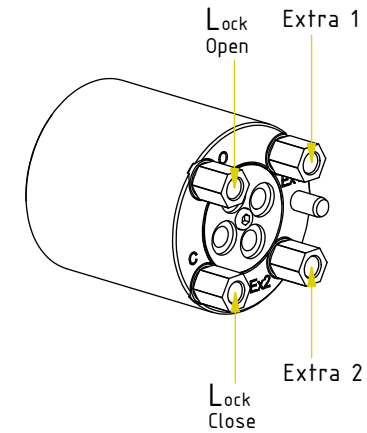
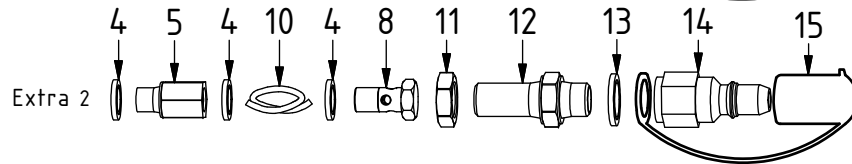
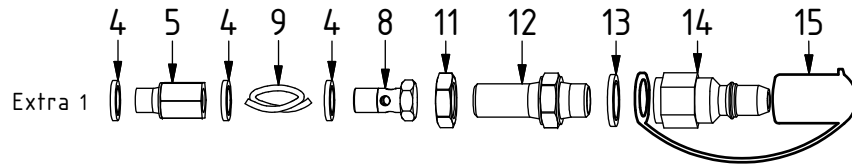
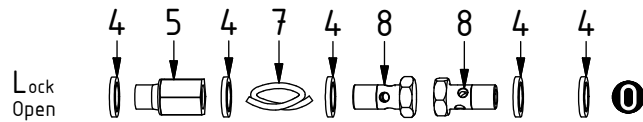
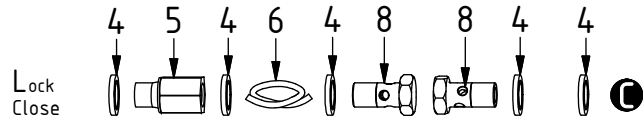
Dashed lines for overview, mounts
on other pages/assemblies.

POS	DESCRIPTION	PART	QTY	COMMENTS
1	Quick hitch S40 EC02	1011148	1	
2	Feather Key	650101	6	
3	Screw MC6S M12x80 12.9 ZFSLH	6000148	10	Torque: 136Nm

POS in order of assembly



POS	DESCRIPTION	PART	QTY	COMMENTS
4	Washer GBR02 1/8	710701	16	
5	Adapter 236-02-02	710129	4	
6	Hose Lock Long	741638	1	
7	Hose Lock Short	741639	1	
8	Banjo bolt 4451-02 (1/2")	710277	6	
9	Hose Extra Long	741636	1	
10	Hose Extra Short	741637	1	
11	Counternut 1270-04 (1/4")	710250	2	
12	Adapter 1260-04-04 (1/4")	710240	2	
13	Washer GBR04 1/4	710702	2	
14	Quick Coupler 1/4" Male 2520	790111	2	
15	Dust protection 1/4" male 2526	790119	2	



SPARE PARTS

POS	DESCRIPTION	PART	QTY	COMMENTS
6	Hose Lock Long	741638	1	
7	Hose Lock Short	741639	1	
9	Hose Extra Long	741636	1	
10	Hose Extra Short	741637	1	
16	Hose Lock Long	741603	1	Replaced by POS.6 from 2010-01
17	Hose Lock Short	741602	1	Replaced by POS.7 from 2010-01
18	Hose Extra	741604	2	Replaced by POS.9-10 from 2010-01

POS in order of assembly

Used on replaced
Lock cylinder with guide pin

