

## COVERSHEET

## Planned document changes:

## Briefly:

2025-05-27. POS.7 updated by 6000441.

## Document changes:

Date:	Change:	Rev. after change:
2024-06-07	Screws updated.	J
2022-09-30	Swivel with slip ring added. New layout.	I
2021-01-14	Screws updated to ZFSHL.	H
2020-01-10	Silicone to valve block added.	G
2019-10-30	Partslist corrected.	F
2019-05-10	Layout/irrelevant.	E
2018-09-27	Missing glue info added.	D
2018-04-16	Layout/irrelevant.	C
2018-02-06	Mounting block for EC204 without Swivel added.	B
2018-01-19	Rotator frame replaced. Coversheet added.	A

## Readers note:



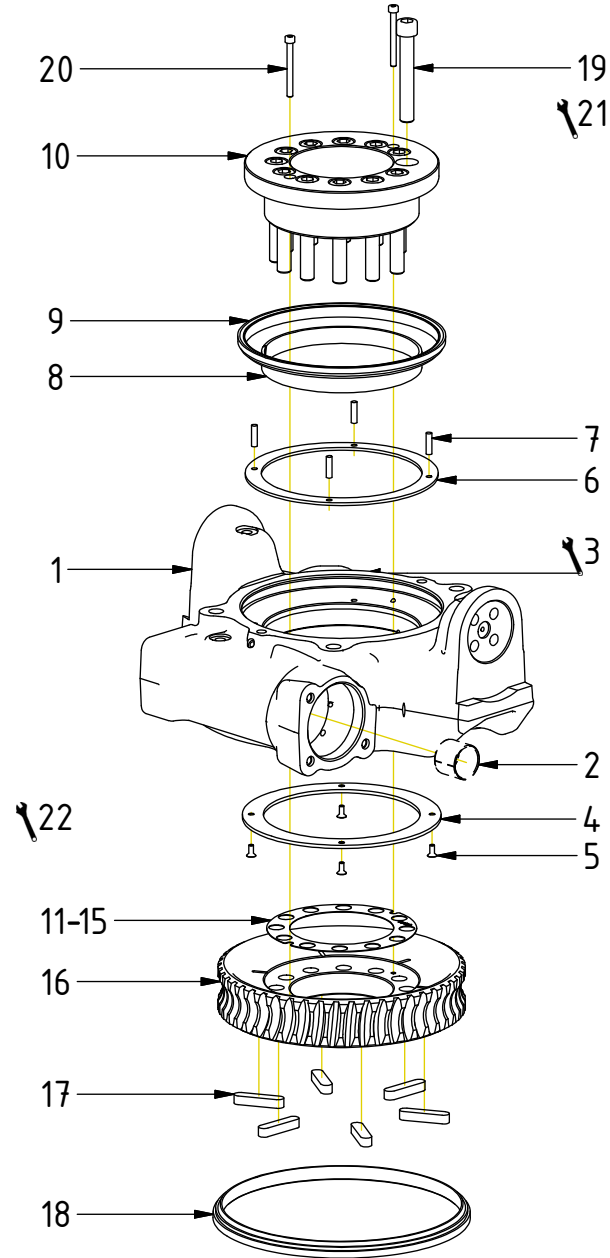
Indicates instruction.



Represents Hose.

Dashed lines for overview, mounts  
on other pages/assemblies.

# EC204 - Rotator frame



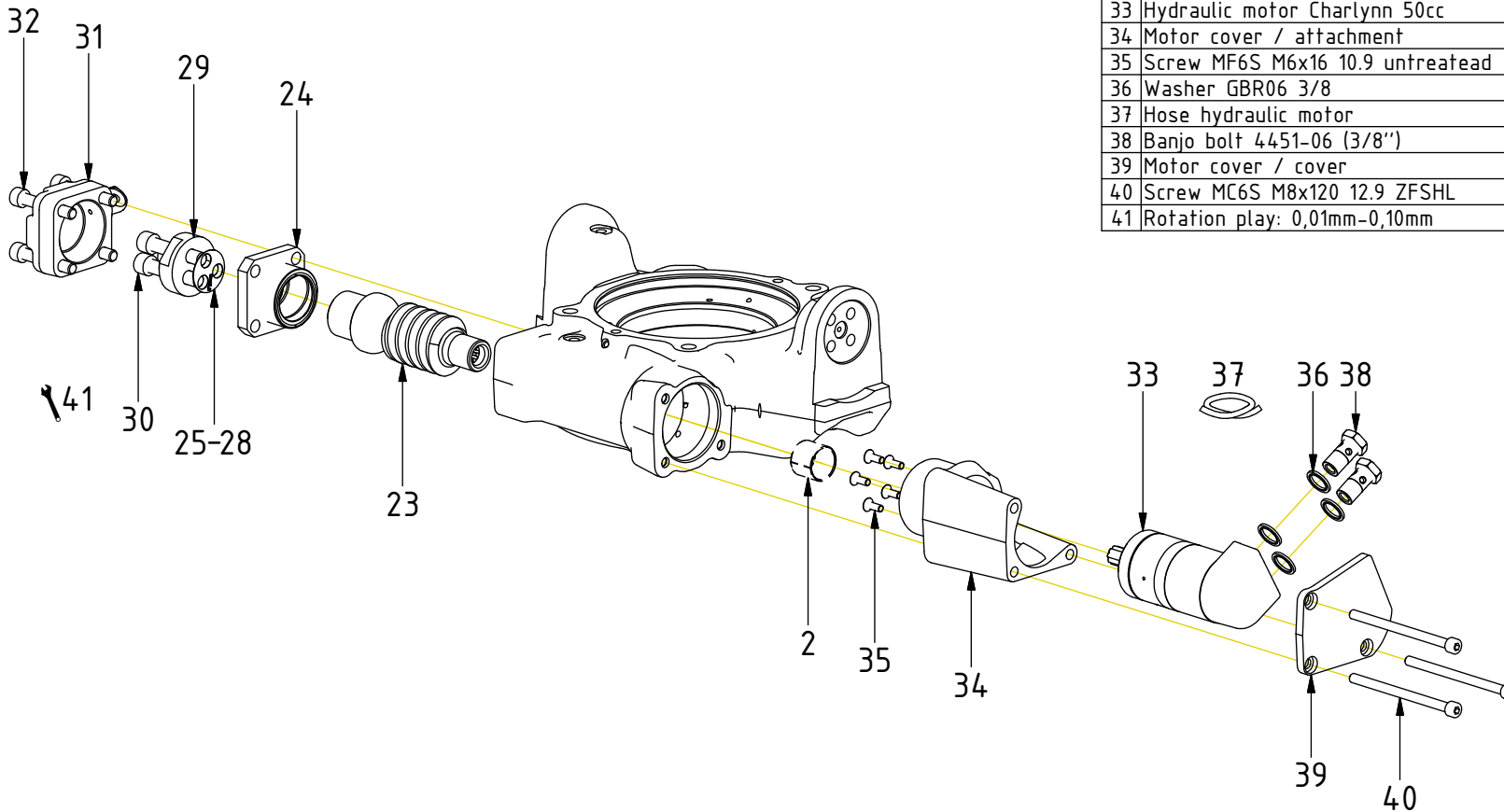
POS	DESCRIPTION	PART	QTY	COMMENTS
1	Rotator frame EC204	1041830	1	(POS.2 incl.)
2	Bushing 28/30x25	630004	1	
3	Punch serial no into rotator frame			
4	Wear washer	1027496	1	
5	Screw MF6S M4x10 10.9 untreatead	610605	4	
6	Wear ring	1027495	1	
7	Slotted pin S5x20	640407	4	Must not exceed Wear ring surface
8	Guide belt	712426	1	
9	Wiper seal (centre ring)	712427	1	
10	Centre ring	1016565	1	
11	Shim Centre ring 0,5mm	1031296	1	Use as required
12	Shim Centre ring 0,6mm	1031297	1	Use as required
13	Shim Centre ring 0,7mm	1031298	1	Use as required
14	Shim Centre ring 0,8mm	1031299	1	Use as required
15	Shim Centre ring 1,0mm	1031300	1	Use as required
16	Worm wheel	1016564	1	
17	Feather Key	650101	6	
18	Wiper seal (quick hitch)	712428	1	
19	Screw MC6S M12x80 12.9 ZFSHL	6000148	12	Torque: 136Nm
20	Screw MC6S M5x50 12.9	610407	2	
21	Torque tighten rotator frame to hitch. Rotate to access all holes			
22	Break play: 0,01mm-0,15mm			

POS in order of assembly

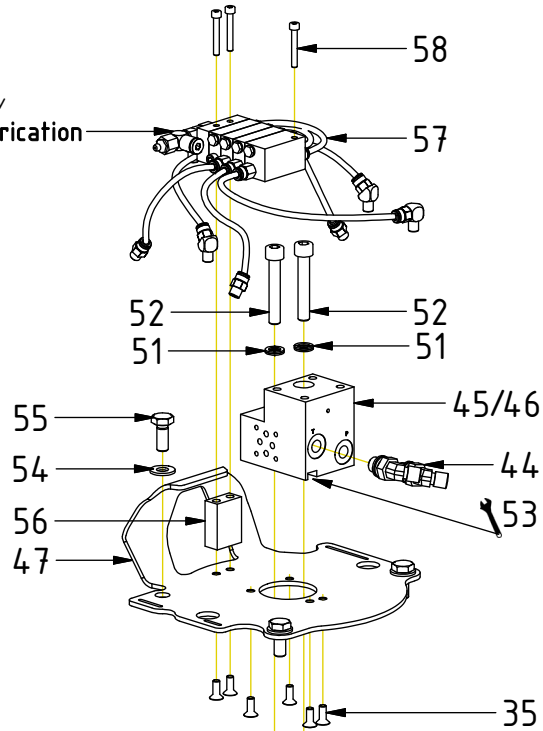
# EC204 - Rotator frame

POS in order of assembly

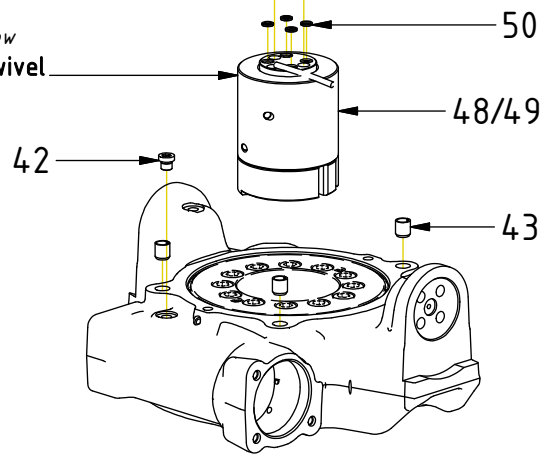
POS	DESCRIPTION	PART	QTY	COMMENTS
2	Bushing 28/30x25	630004	1	
23	Worm Screw	202898	1	
24	Screw bushing	1027319	1	
25	Shim Worm screw 0,5mm	405218	1	Use as required
26	Shim Worm screw 0,6mm	405219	1	Use as required
27	Shim Worm screw 0,7mm	405220	1	Use as required
28	Shim Worm screw 0,8mm	405217	1	Use as required
29	Washer Worm screw	405234	1	
30	Screw MC6S M12x60 12.9 ZFSHL	6000140	3	Torque: 136Nm
31	End Lock	1027476	1	
32	Screw MC6S M10x60 12.9 ZFSHL	611503	4	Torque: 79Nm
33	Hydraulic motor Charlynn 50cc	720119	1	
34	Motor cover / attachment	1016578	1	
35	Screw MF6S M6x16 10.9 untreatad	610604	14	Torque: 14Nm. Loxeal 55-02
36	Washer GBR06 3/8	710703	4	
37	Hose hydraulic motor	7000107	2	
38	Banjo bolt 4451-06 (3/8")	710272	2	
39	Motor cover / cover	1016579	1	
40	Screw MC6S M8x120 12.9 ZFSHL	6000139	3	Torque: 40Nm
41	Rotation play: 0,01mm-0,10mm			Note rotation play on module card



Exploded view  
Central lubrication



Exploded view  
Block & Swivel

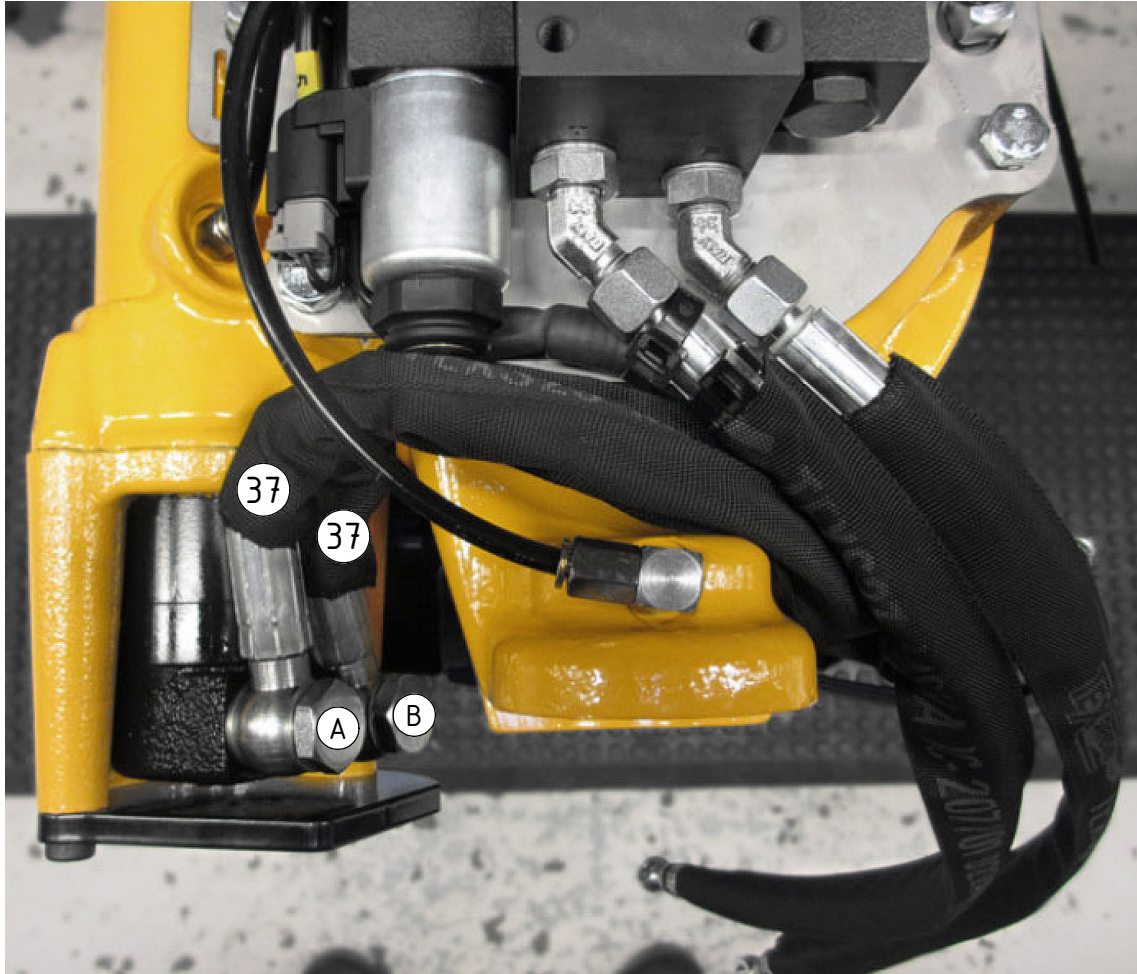


POS	DESCRIPTION	PART	QTY	COMMENTS
35	Screw MF6S M6x16 10.9 untreated	610604	14	Torque: 14Nm. Loxeal 55-02
42	Plug 70125-02 (1/8")	711503	1	
43	Spring rod 13x14	640414	3	
44	Adapter 45° 402-04-04 (1/4")	7000104	2	Assemble before valve block
45	Valve block	1027945	1	Part of control system
46	Mounting block	1045983	1	For EC204 without Swivel
47	Valve plate	1031620	1	Part of control system
48	Swivel & block w. slip ring Compl.	1062975	1	Part of control system
49	Swivel & block w/o slip ring Compl.	1028504	1	Part of control system
50	O-ring 7,65x1,78	710960	8	
51	Washer NL 10mm	611041	2	
52	Screw MC6S M10x60 12.9	610460	2	
53	When there is no slip ring apply silicone after block is assembled			
54	Washer BRB 10,5x22x2 200 HV FZB	611006	3	
55	Screw M6S M10x25 8,8 FZB	610142	3	Torque: 47Nm
56	Mounting block Central lubrication	1031608	1	
57	Lubrication kit	1032960	1	
58	Screw MC6S M5x35 12.9	610404	3	

POS in order of assembly

POS	DESCRIPTION	PART	QTY	COMMENTS
37	Hose hydraulic motor	7000107	2	

POS in order of assembly



SPARE PARTS

POS	DESCRIPTION	PART	QTY	COMMENTS
1	Rotator frame EC204	1041830	1	(POS.2 incl.)

POS in order of assembly

Replaced from 2018-01

