

## COVERSHEET

## Planned document changes:


**Briefly:**


2026-03-09. POS.8 will be divided to two parts: 1080804 with 1080805. (Backwards compatible).

## Document changes:

<u>Date:</u>	<u>Change:</u>	<u>Rev. after change:</u>
2026-05-27	ss0 updated.	F
2026-01-28	ss0 added.	E
2024-01-23	Screw quality corrected.	D
2022-09-07	Seal for top part clarified.	C
2022-05-24	Details for EC214S added. (EC214 with ePS2).	B
2021-01-18	Screws updated to SFSHL.	A
2020-04-07	New document.	-

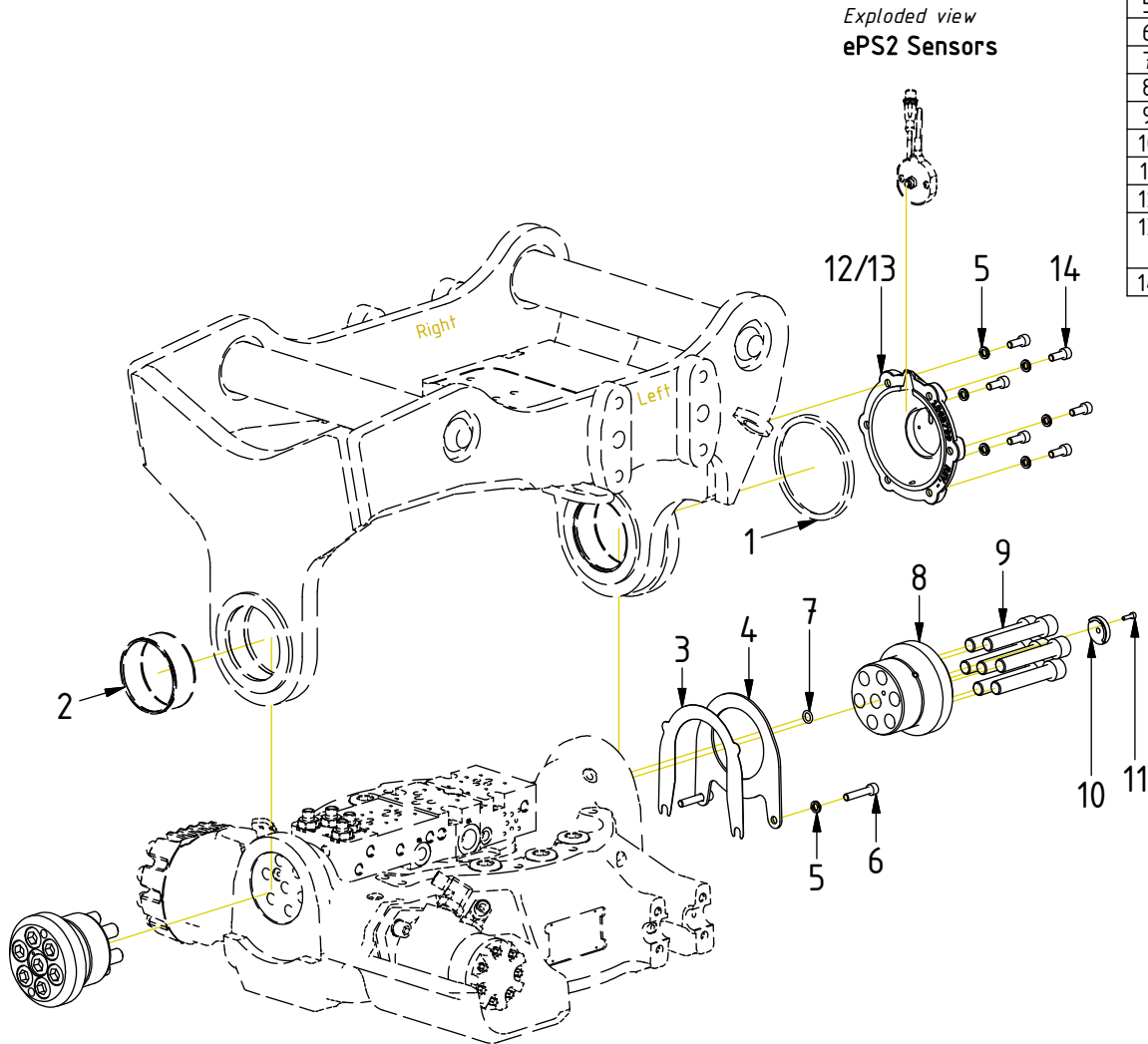
*Readers note:*

 Indicates instruction.

 Represents Hose.

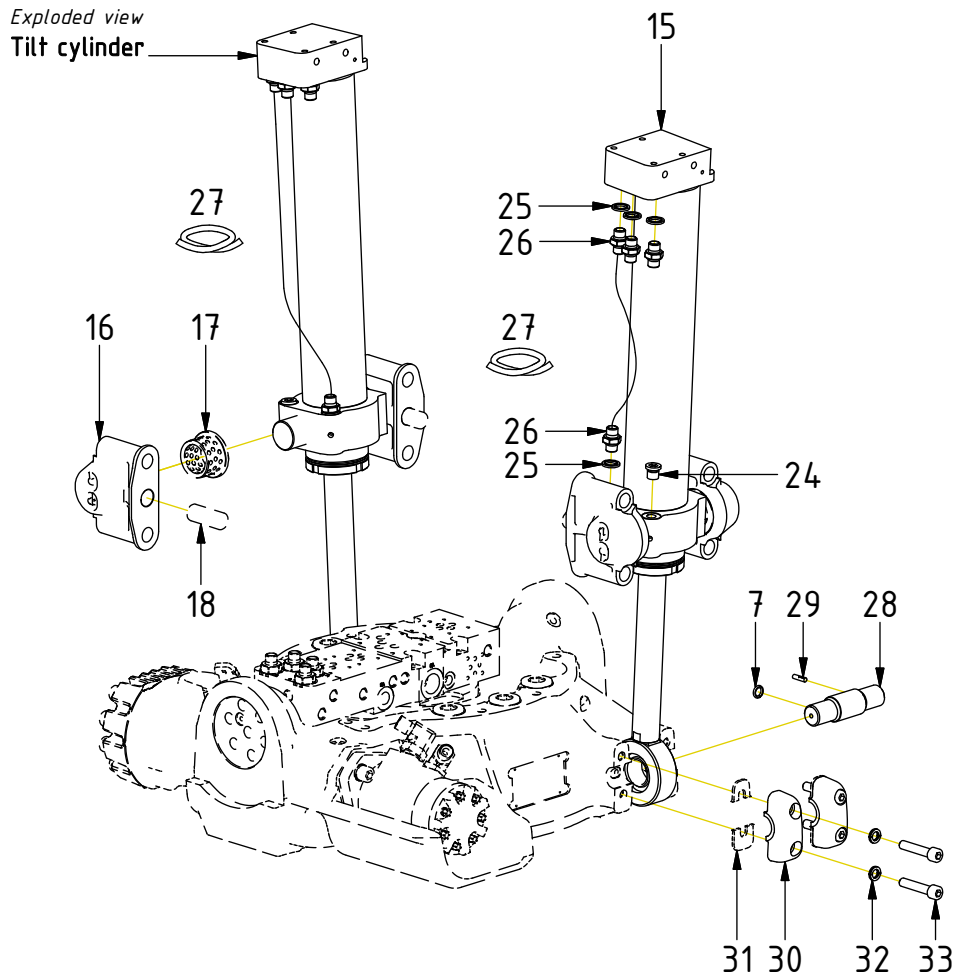
Dashed lines for overview, mounts  
on other pages/assemblies.

POS	DESCRIPTION	PART	QTY	COMMENTS
1	Seal PAK-110x125x7-L	1064201	1	Face groove toward top part
2	Bushing Ø85/90x35 WB802	630321	2	(Incl. in Top part)
3	Shims tilt axle	1016420	1	Use as required
4	Tilt axial washer	1016417	1	
5	Washer NL 8mm	611040	16	
6	Screw MC6S M8x40 12.9 ZFSHL	6000145	2	
7	O-ring 9,92x2,62	710968	4	
8	Tilt axle EC219	1064196	2	
9	Screw MC6S M16x90 12.9 ZFSHL	6000151	18	Torque: 333Nm
10	Magnet spacer tilt axle	1064202	1	For EC214S
11	Screw MC6S M4x14 8,8 FZB	610420	1	For EC214S
12	Cover Tilt Axle EC214 Cast	1065799	1	For EC214S
13	Protection plate tiltaxle EC214	1064717	1	For EC214/EC214PS Face the groove downwards
14	Screw MC6S M8x20 12.9 ZFSHL	6000157	6	

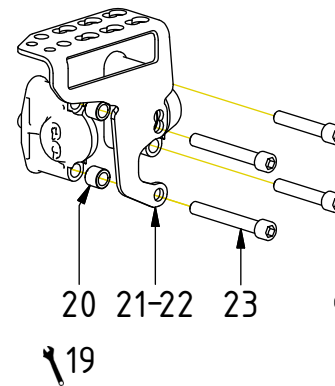


# EC214 QSM - Std. Top components

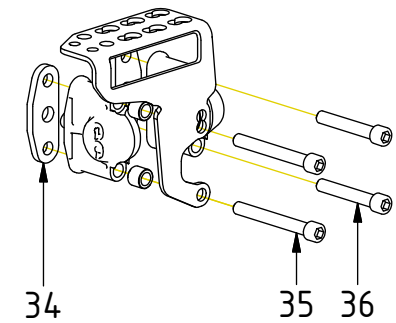
POS	DESCRIPTION	PART	QTY	COMMENTS
7	O-ring 9,92x2,62	710968	4	
9	Screw MC6S M16x90 12.9 ZFSHL	6000151	18	Torque: 333Nm
15	Tilt cylinder EC214	1041414	2	
16	Yoke EC214 Complete	1023212	4	(POS.17-18 incl.)
17	Bushing 35/45/55/5x30	631003	4	
18	Cylindrical pin $\varnothing$ 20x50	650211	4	
19	For EC-Oil (no terminals) For Feed 3/4" (option)			See "Top part"
20	Spacer 20mm	1023777	4	
21	Hose terminal Left V2	1047137	1	
22	Hose terminal Right V2	1047138	1	
23	Screw MC6S M16x120 12.9 ZFSHL	6000162	4	Torque: 333Nm
24	Plug 153-04 (1/4")	711505	2	
25	Washer GBR04 1/4	710702	8	
26	Adapter 138-04-29 (1/4")	710135	8	
27	Hose Tilt Short	743002	2	
28	Cylinder axle $\varnothing$ 30	1016458	2	
29	Slotted pin 5x20	640413	2	
30	Clamping half Complete	1022942	4	(POS.31 incl.)
31	Rubber spacer clamping half	1016465	4	
32	Washer NL 10mm	611041	8	
33	Screw MC6S M10x50 12.9 ZFSHL	611515	8	Torque: 79Nm
34	Shim Yoke bracket	1007041	4	For option Shimmed Tilt cyl.
35	Screw MC6S M16x130 12.9 ZFSHL	6000154	4	Torque: 333Nm
36	Screw MC6S M16x100 12.9 ZFSHL	6000156	4	Torque: 333Nm



Std terminals



Shimmed Tilt cyl.

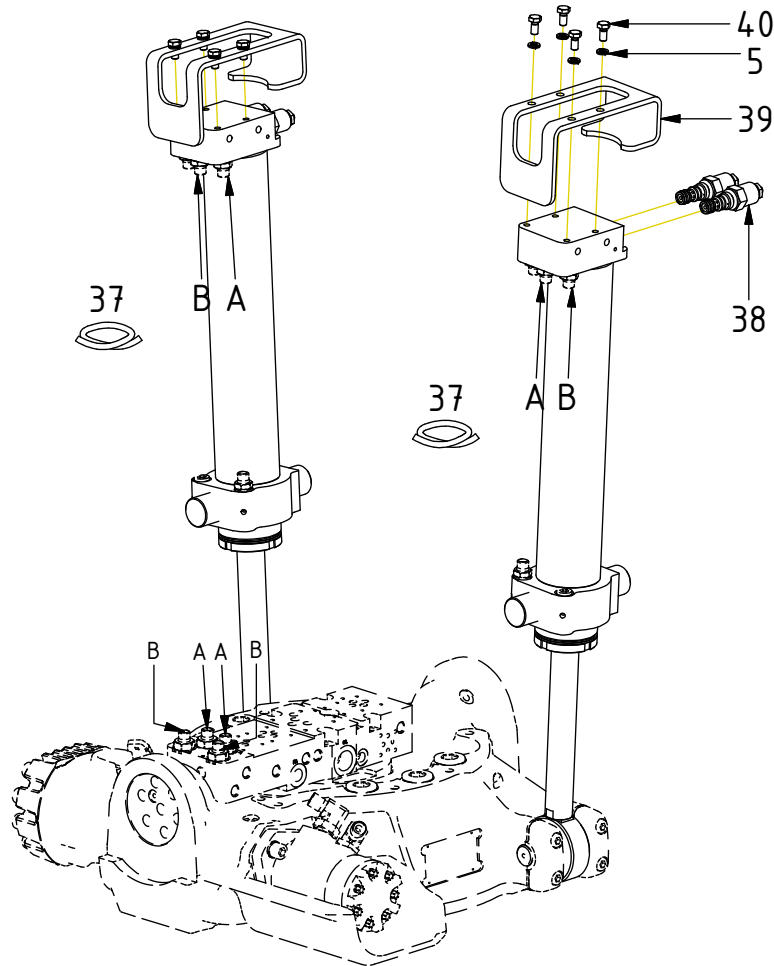


POS in order of assembly

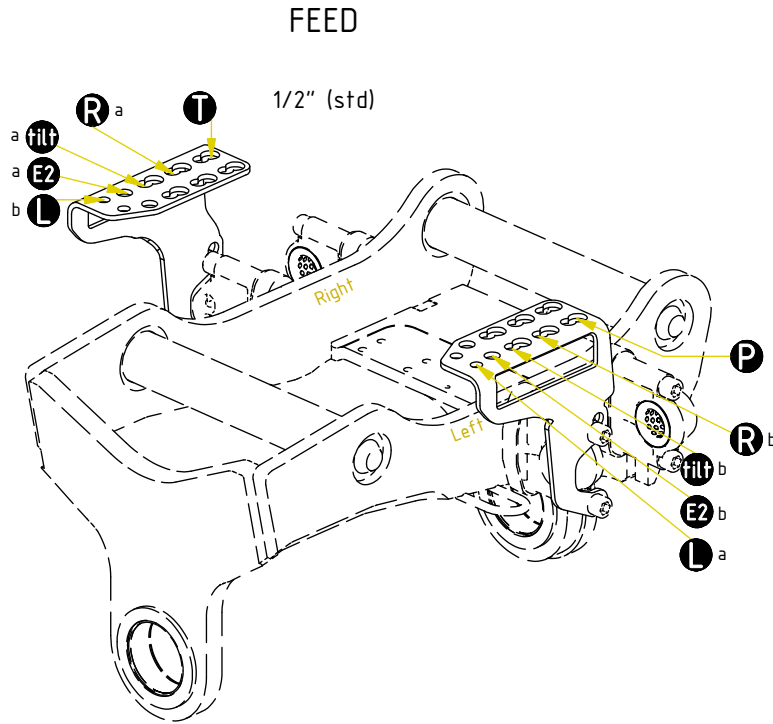
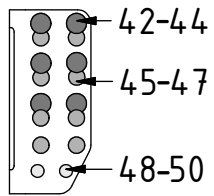
## TILT

POS	DESCRIPTION	PART	QTY	COMMENTS
5	Washer NL 8mm	611040	16	
37	Hose Tilt Long	743001	4	
38	Overcentre valve 10:1	730269	4	Torque: 45Nm
39	Hose protection Tiltcylinder	1003774	2	
40	Screw M6S M8x16 8,8 FZB	610122	8	

POS in order of assembly

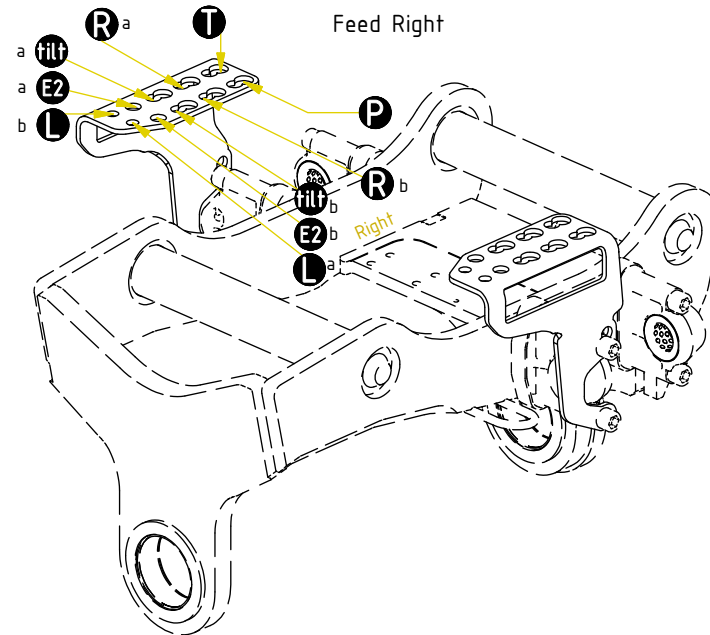
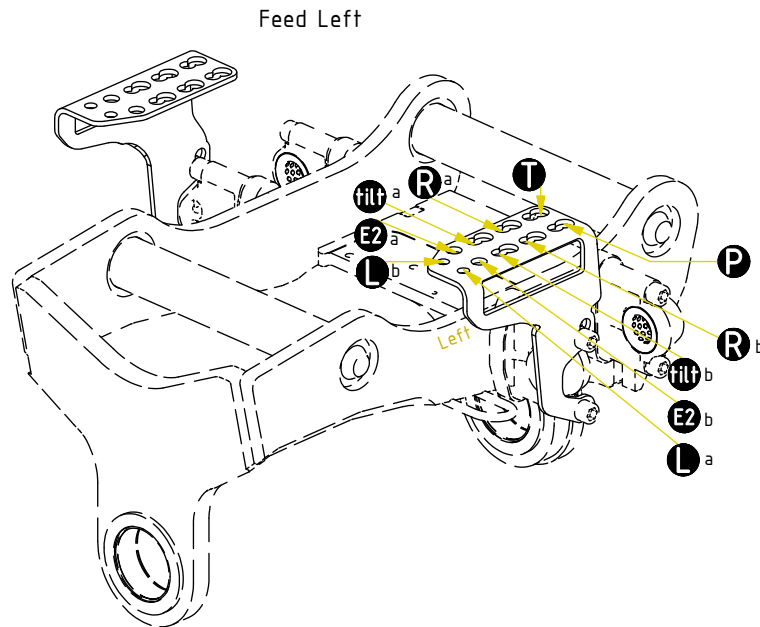


# EC214 QSM - Std. Top components



POS	DESCRIPTION	PART	QTY	COMMENTS
41	For Functions & Feed Hoses			See "Control system"
42	Washer NL 20mm	611098	2	
43	Adapter 1260-08-08 (1/2")	710244	2	
44	Counternut 1270-08 (1/2")	710254	2	
45	Washer NL 16mm	611044	2	
46	Adapter 1260-06-32 (3/8")	710242	2	
47	Counternut 1270-06 (3/8")	710252	2	
48	Washer NL 1/2"	611096	2	
49	Adapter 1260-04-04 (1/4")	710240	2	
50	Counternut 1270-04 (1/4")	710250	2	

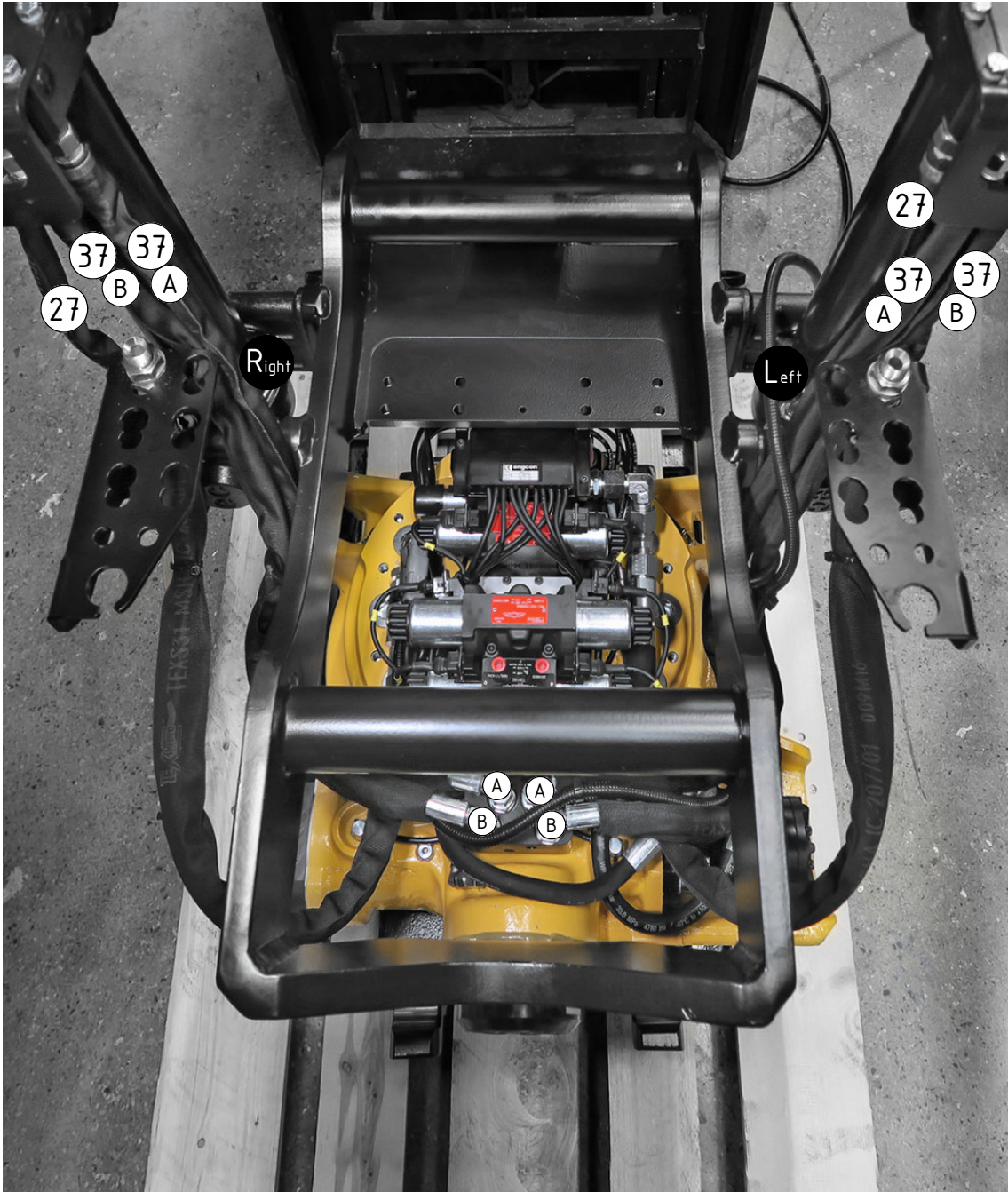
POS in order of assembly



TILT

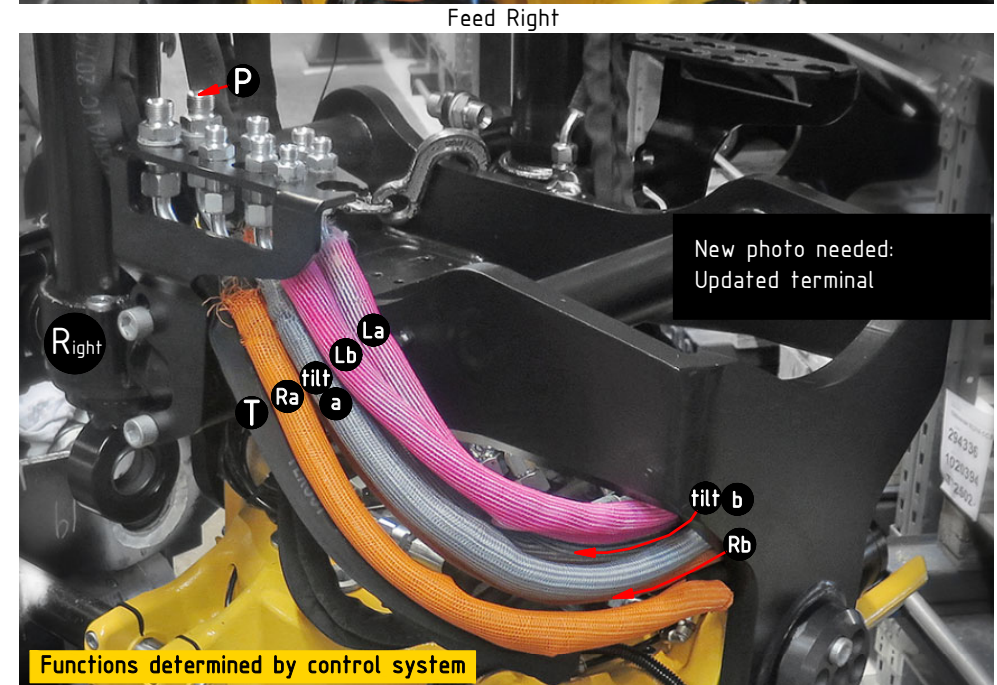
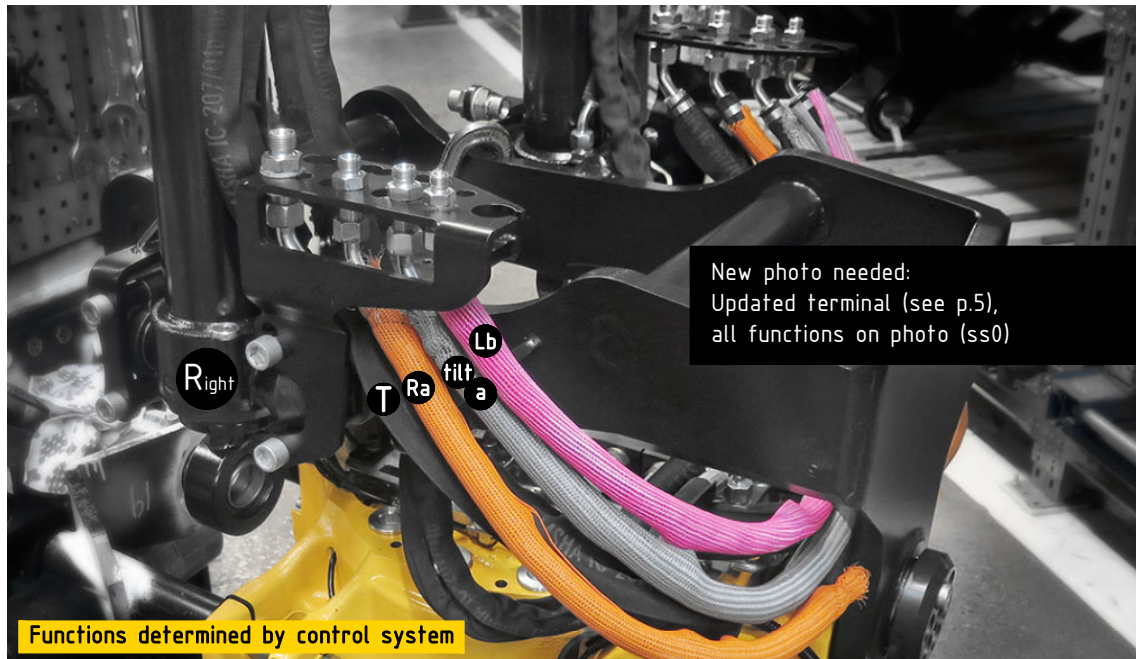
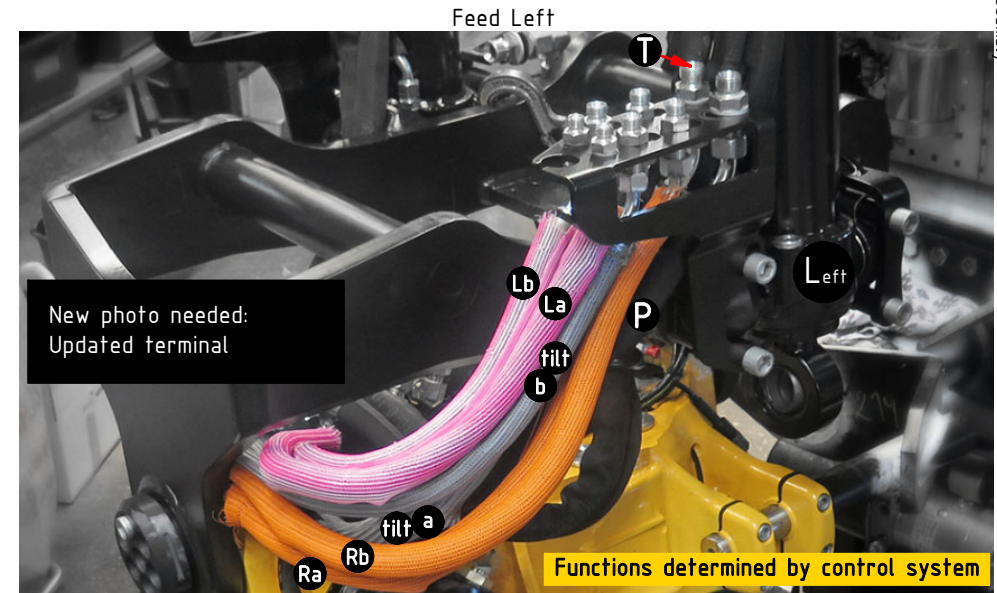
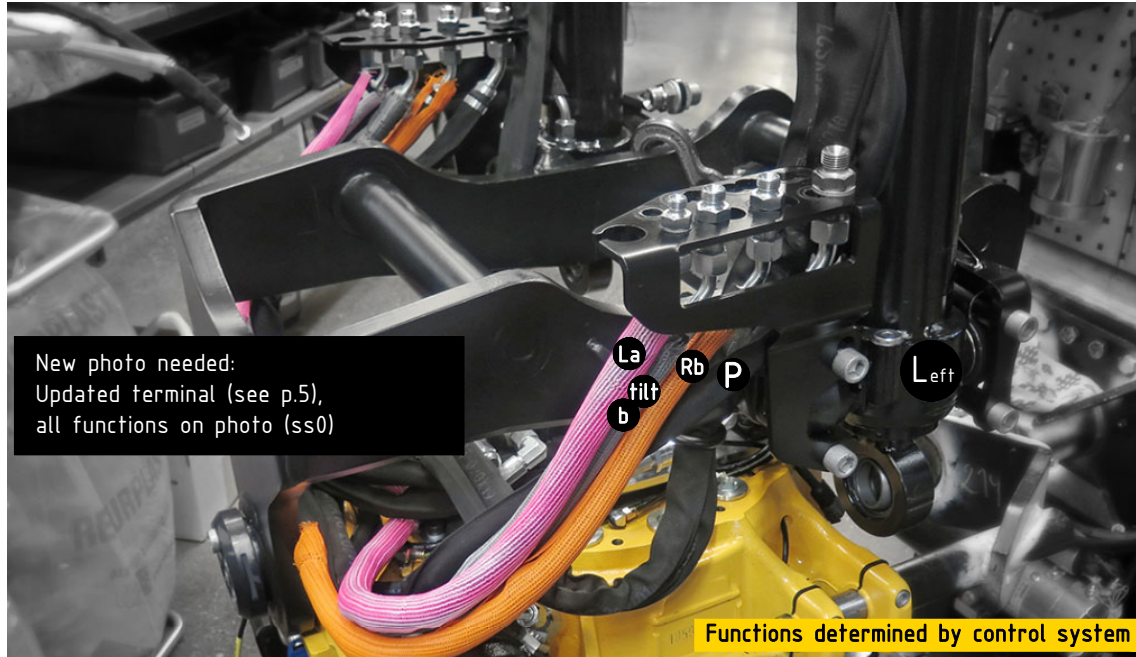
POS	DESCRIPTION	PART	QTY	COMMENTS
27	Hose Tilt Short	743002	2	
37	Hose Tilt Long	743001	4	

POS in order of assembly



FEED  
1/2" (std)

POS	DESCRIPTION	PART	QTY	COMMENTS
19	For EC-Oil (no terminals) For Feed 3/4" (option)			See "Top part"
41	For Functions & Feed Hoses			See "Control system"



POS in order of assembly