

Planned document changes:

Briefly:

No planned changes.

Document changes:

Date:	Change:	Rev. after change:
2026-03-30	Hose assy. updated.	A
2023-03-13	New document.	-

Readers note:

Indicates instruction.

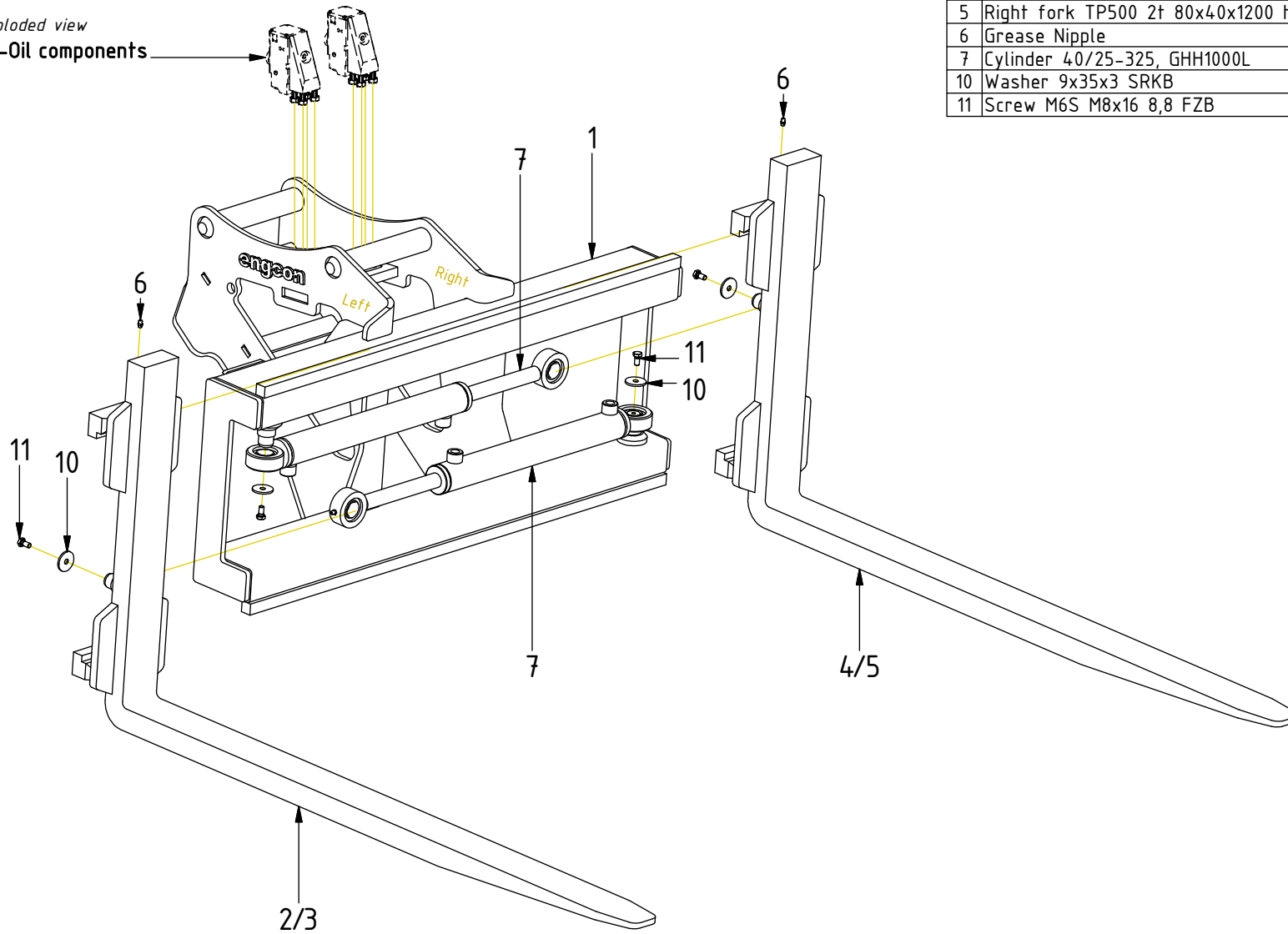


Represents Hose.

Dashed lines for overview, mounts
on other pages/assemblies.

POS	DESCRIPTION	PART	QTY	COMMENTS
1	Main frame is selected via engcon			
2	Left fork TP500 2t 80x40x800 hyd	1067589	1	(POS.6 incl.)
3	Left fork TP500 2t 80x40x1200 hyd	1067593	1	(POS.6 incl.)
4	Right fork TP500 2t 80x40x800 hyd	1067590	1	(POS.6 incl.)
5	Right fork TP500 2t 80x40x1200 hy	1067592	1	(POS.6 incl.)
6	Grease Nipple	711405	2	
7	Cylinder 40/25-325, GHH1000L	1065869	2	
10	Washer 9x35x3 SRKB	6000212	4	
11	Screw M6S M8x16 8,8 FZB	610122	4	

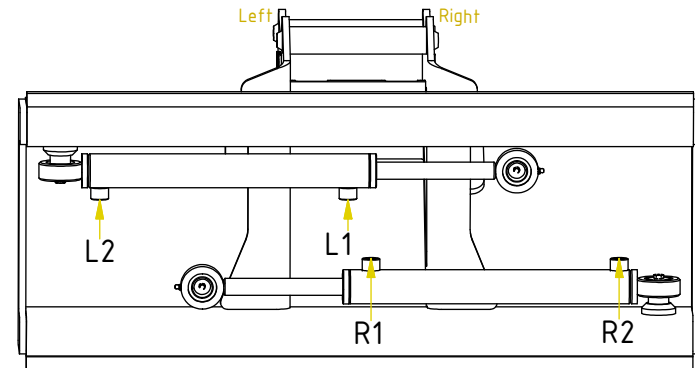
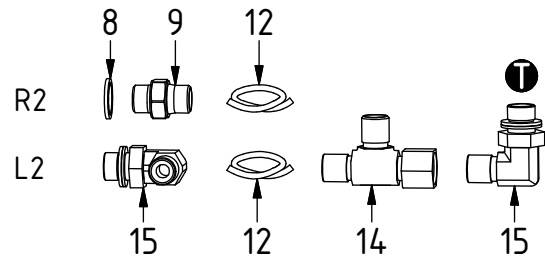
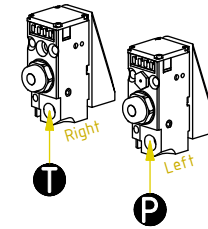
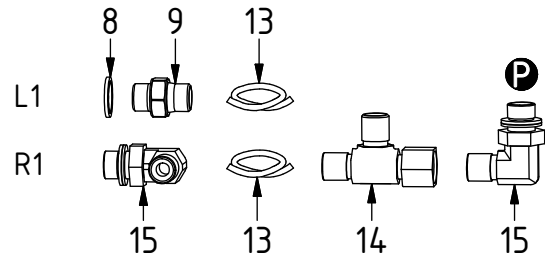
Exploded view
EC-Oil components



POS in order of assembly

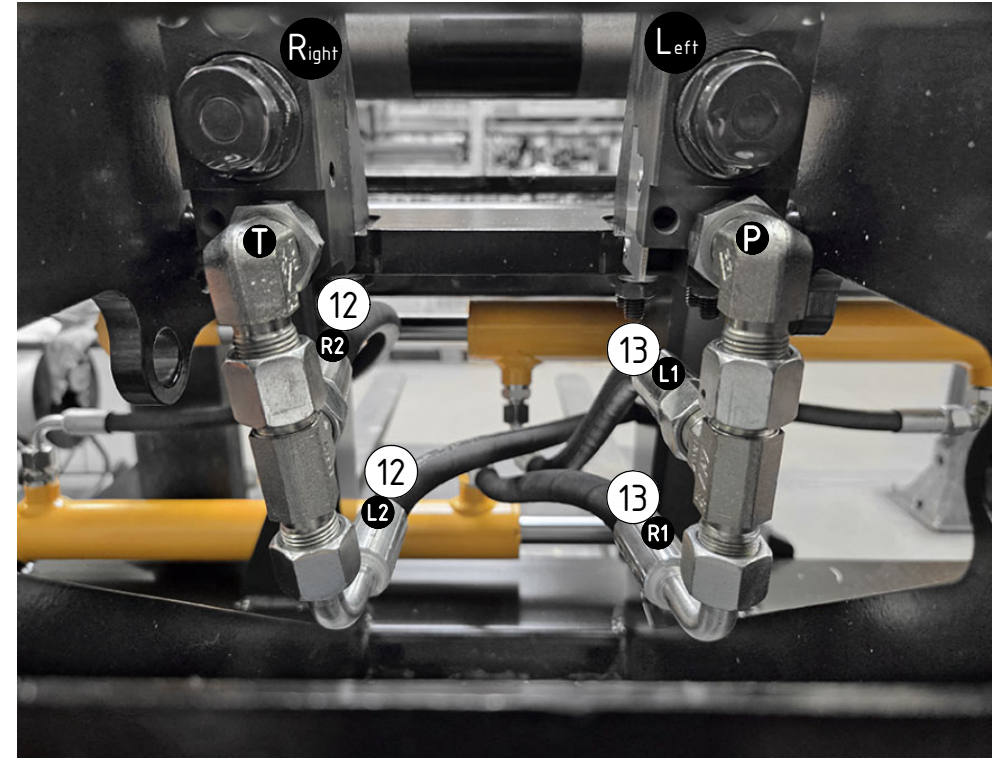
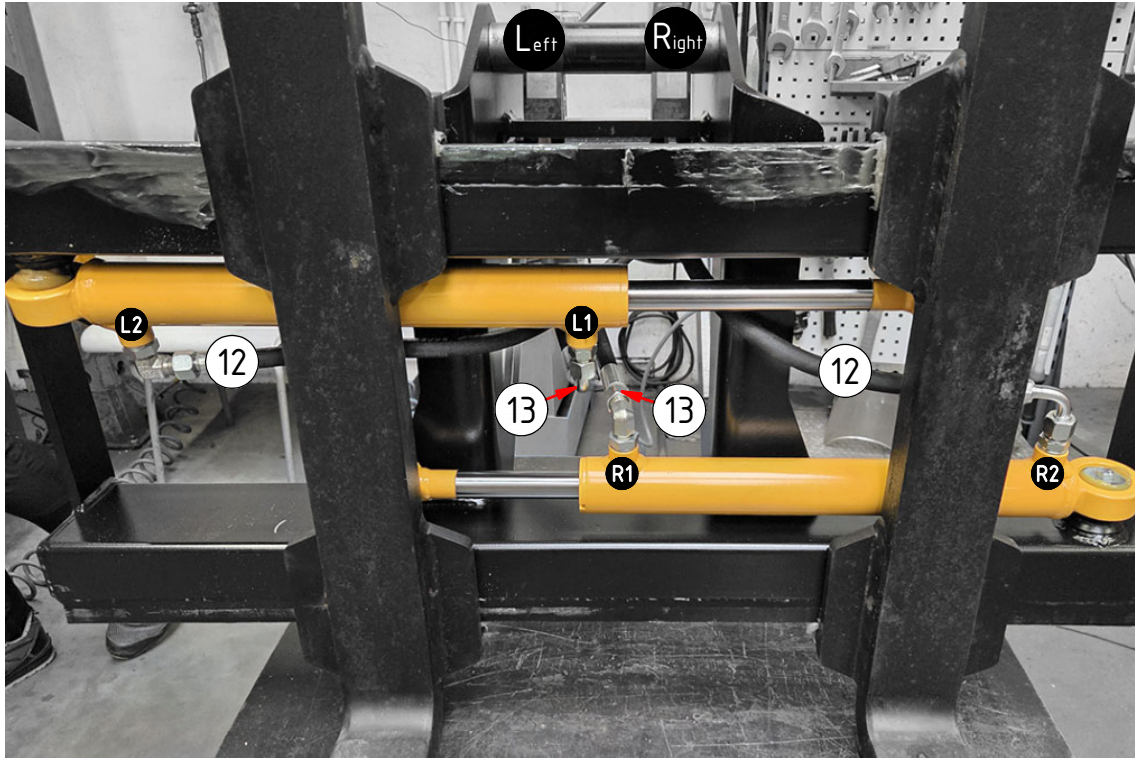
POS	DESCRIPTION	PART	QTY	COMMENTS
8	Washer GBR06 3/8	710703	2	
9	Adapter 136-06-06 (3/8")	710106	2	
12	Hose Long	7001819	2	
13	Hose Short	7001820	2	
14	Adapter 855-06-06 (3/8")	710281	2	
15	Adapter 401-06-06 90° (3/8")	710152	4	

POS in order of assembly



POS	DESCRIPTION	PART	QTY	COMMENTS
12	Hose Long	7001819	2	
13	Hose Short	7001820	2	

POS in order of assembly



RELATED SPARE PARTS

POS	DESCRIPTION	PART	QTY	COMMENTS
8	Washer GBR06 3/8	710703	2	
9	Adapter 136-06-06 (3/8")	710106	2	
12	Hose Long	7001819	2	
13	Hose Short	7001820	2	
14	Adapter 855-06-06 (3/8")	710281	2	
15	Adapter 401-06-06 90° (3/8")	710152	4	

POS in order of assembly

Until 2026-02

Other hose lengths & hose couplings,
not compatible with current assy.

