

Hitch ECO45 W COVERSHEET

Planned document changes:


Briefly:

2026-05-04. Add ECO50 / S50 to headings (identical to ECO45 / S45).

Document changes:

Date:	Change:	Rev. after change:
2025-08-18	New document.	-

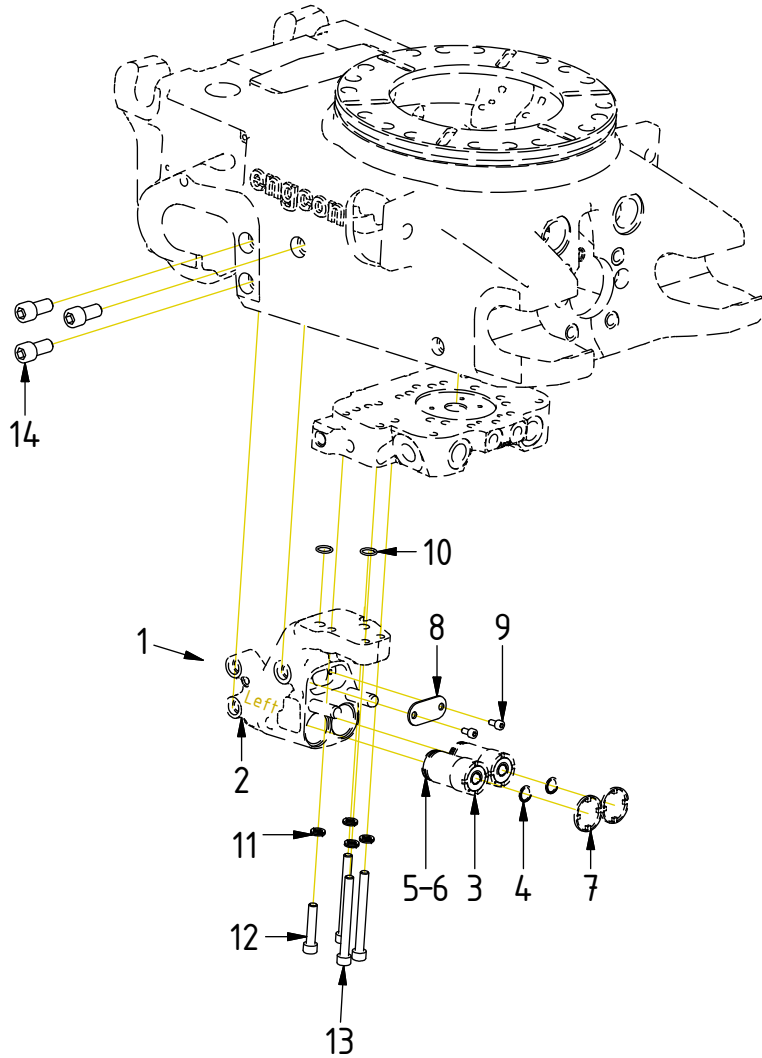
Readers note:

 Indicates instruction.

 Represents Hose.

Dashed lines for overview, mounts
on other pages/assemblies.

S45



POS	DESCRIPTION	PART	QTY	COMMENTS
1	Bl. ECO45W Hitch QSM 2hy. Compl.	1063741	1	(POS.2-3, 5 incl.)
2	Block ECO45 W Hitch QSM	1058899	1	
3	Coupling ECO W 3/8" V3	1053028	2	Torque: 60Nm. (POS.4-6 incl.)
4	Flat sealing for ECO W 3/8" V3	1052976	2	
5	Backup-ring SKF-19-022-395A PU	710995	2	
6	O-ring 25.12x1.78 NBR/70	710979	2	
7	Dirt protection block ECO 3/8"	1028274	2	
8	Cover plate	1049191	1	
9	Screw MC6S M5x10 12.9	610594	2	
10	O-ring 12,42x1,78	710973	2	
11	Washer NL 8mm	611040	4	
12	Screw MC6S M8x40 12.9 ZFSL	6000145	1	Torque: 40Nm
13	Screw MC6S M8x80 12.9 ZFSL	6000285	3	Torque: 40Nm
14	Screw MC6S M12x25 12.9 ZFSL	6000164	3	Loxal 83-52. Torque: 136Nm
15	Transport Protection ECO-Block	1047812	1	Part of make up

POS in order of assembly

