

Planned document changes:

Briefly:

No planned changes.

Document changes:

Date:	Change:	Rev. after change:
2026-04-22	Pressure sensor updated. Photos added.	A
2025-11-05	New document.	-

Readers note:

Indicates instruction.

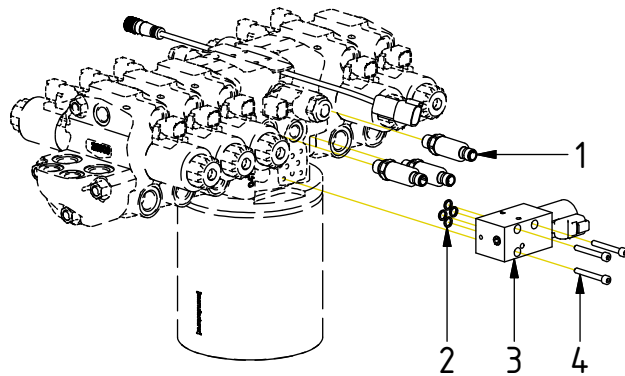
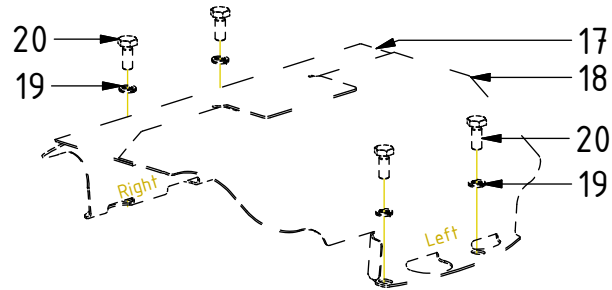


Represents Hose.

Dashed lines for overview, mounts
on other pages/assemblies.

POS	DESCRIPTION	PART	QTY	COMMENTS
1	Pressure sensor PT5400	7002167	3	Torque: 35Nm
2	O-ring 7,65x1,78	710960	4	
3	Directional valve NG4 IQS L 24V DT	1042190	1	
4	Screw MC6S M5x40 12.9	610405	3	Torque: 9,7Nm
17	Protective cover EC326 right	1081655	1	Part of make up
18	Protective cover EC326 left	1081654	1	Part of make up
19	Washer NL 10mm	611041	4	Part of make up
20	Screw M6S M10x25 8,8 FZB	610142	4	Part of make up

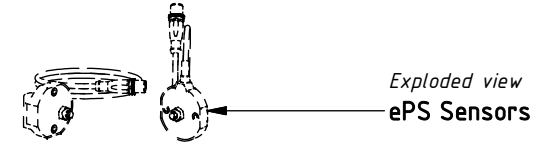
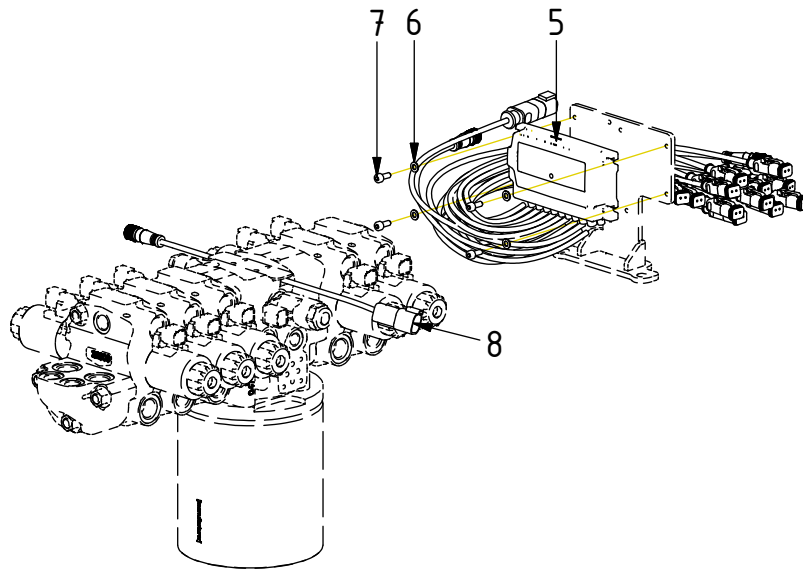
POS in order of assembly



Cables

POS	DESCRIPTION	PART	QTY	COMMENTS
5	Tiltrotator module DC3 EC326/333	8002696	1	
6	Washer BRB 5,3x10x1 200 HV FZB	611003	4	
7	Screw MC6S M5x12 12.9	6000077	4	
8	Q-Safe connector			

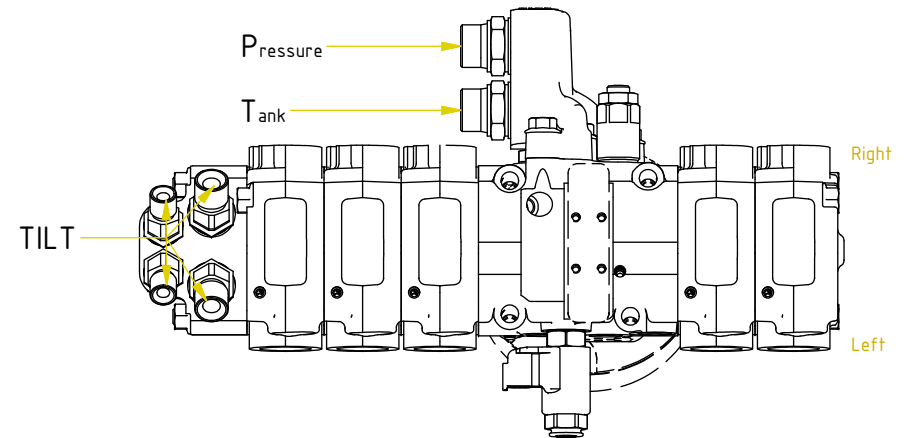
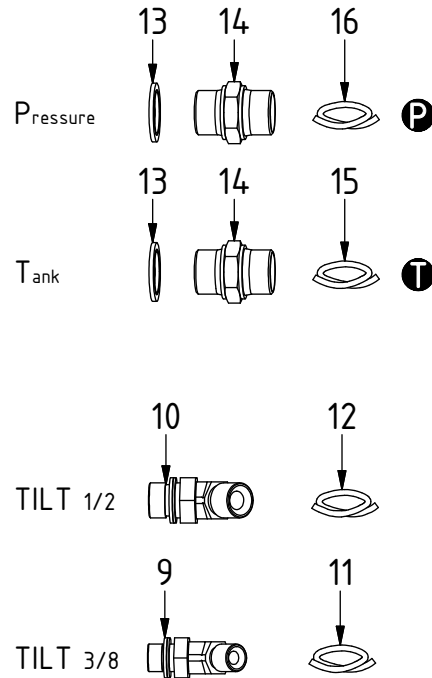
POS in order of assembly



Hoses

POS	DESCRIPTION	PART	QTY	COMMENTS
9	Adapter 45° 402-06-06 (3/8")	7000090	2	
10	Adapter 45° 402-08-08 (1/2")	7000091	2	
11	Hose Tilt 3/8"	7002129	2	
12	Hose Tilt 1/2"	7002130	2	
13	Washer GBR12 3/4	710706	2	
14	Adapter 136-12-12 (3/4")	710126	2	
15	Hose Feed ECO T	7002132	1	
16	Hose Feed ECO P	7002131	1	

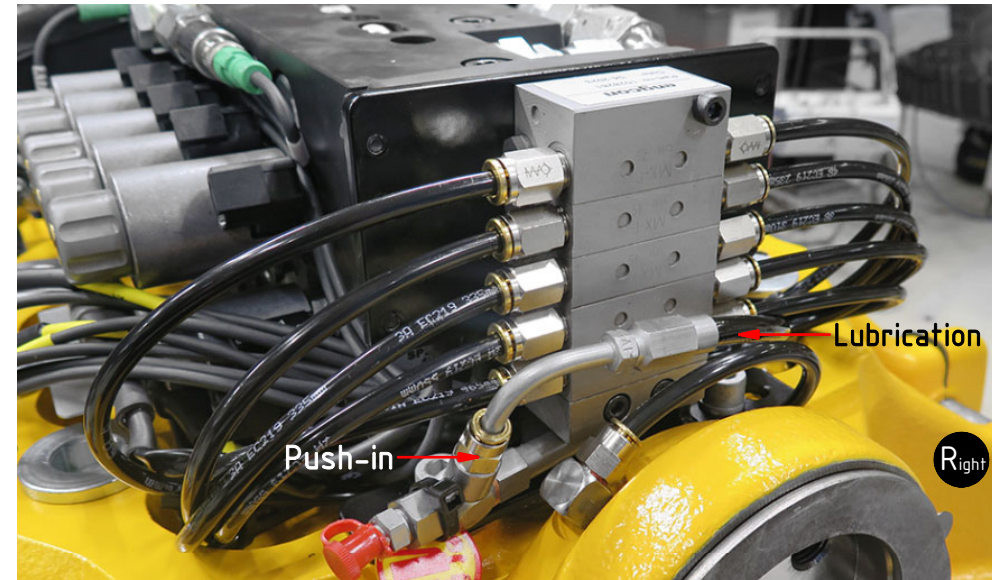
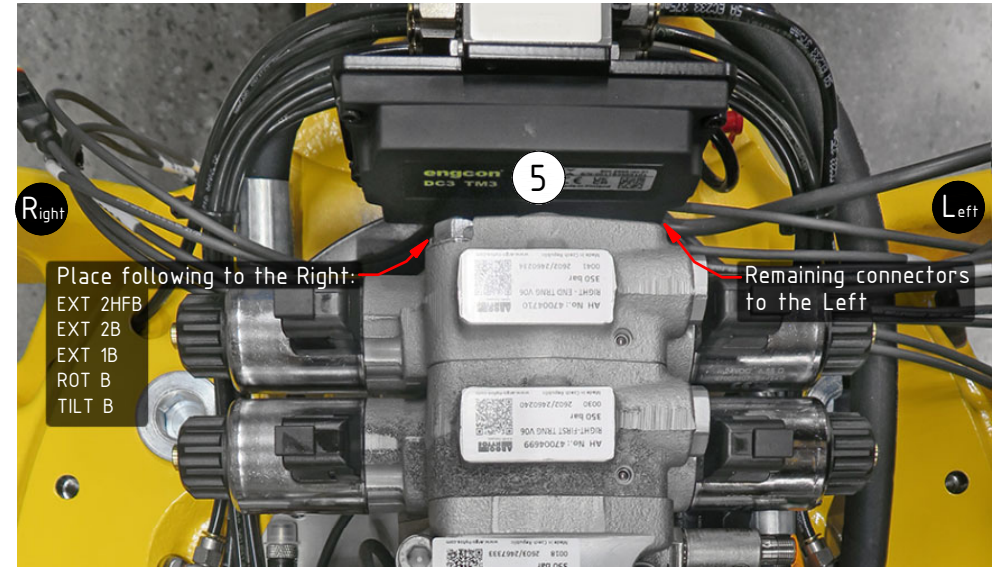
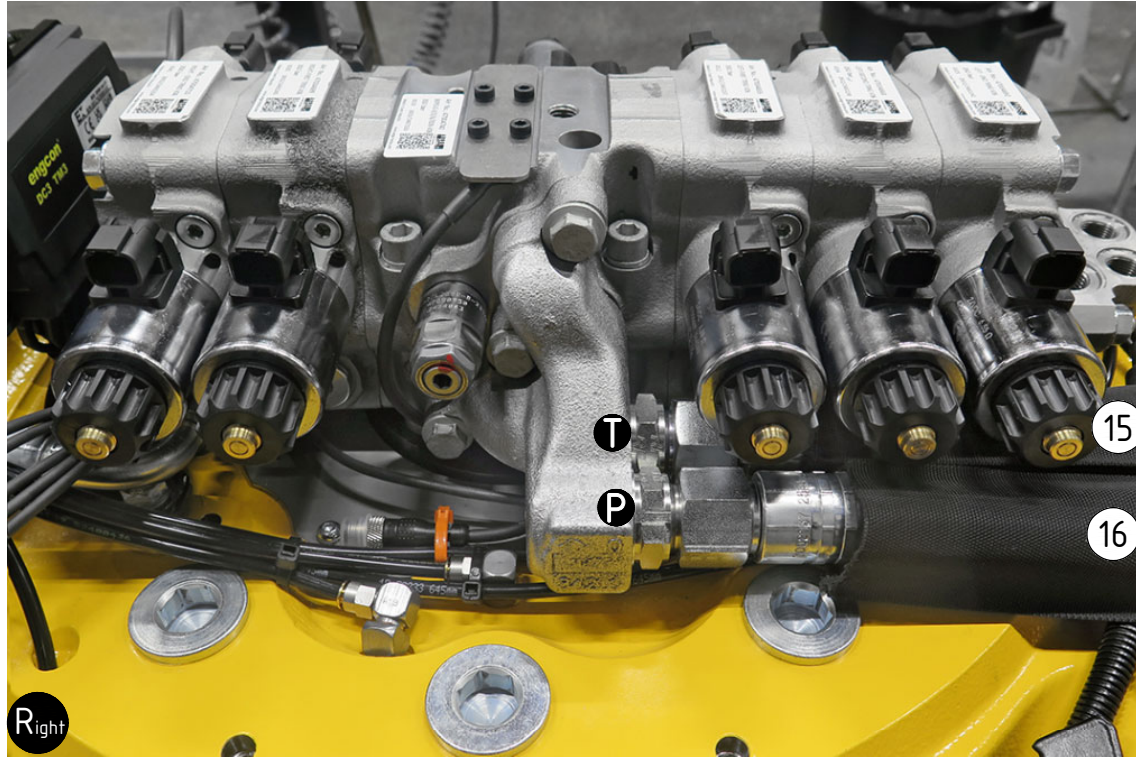
POS in order of assembly



Hoses & cables

POS	DESCRIPTION	PART	QTY	COMMENTS
5	Tiltrotator module DC3 EC326/333	8002696	1	
8	Q-Safe connector			
15	Hose Feed ECO T	7002132	1	
16	Hose Feed ECO P	7002131	1	
●	Use cable ties			

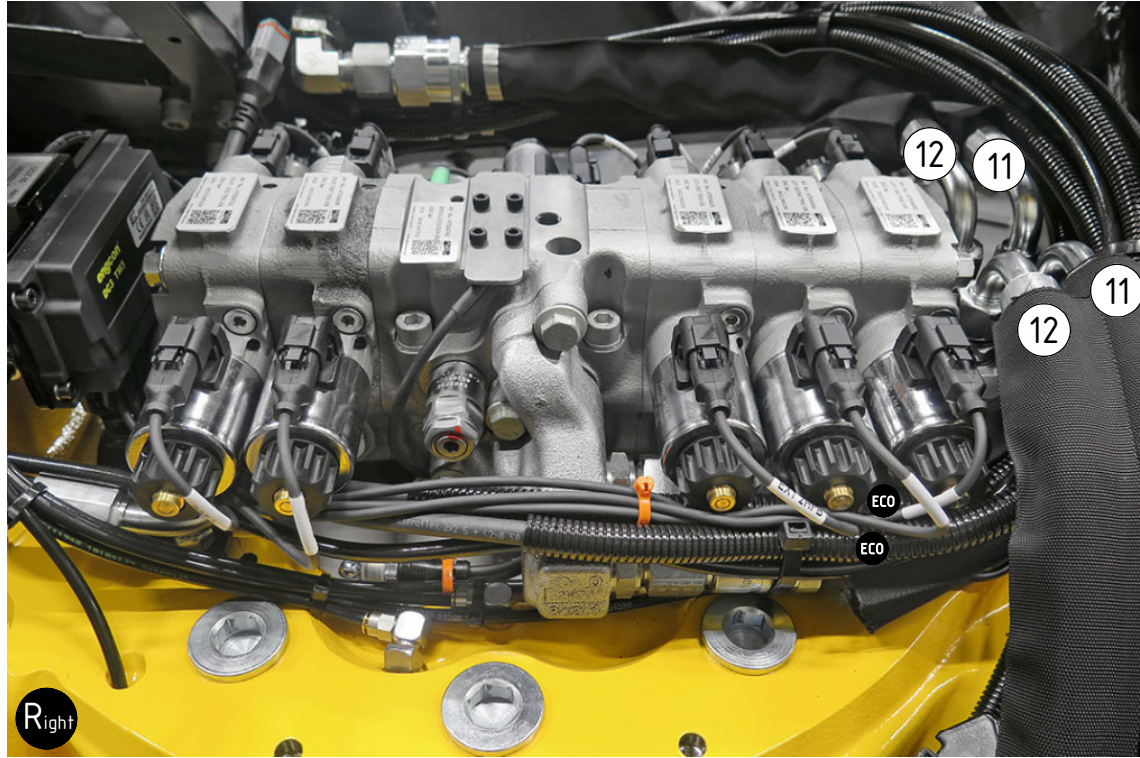
POS in order of assembly



Hoses & cables

POS	DESCRIPTION	PART	QTY	COMMENTS
5	Tiltrotator module DC3 EC326/333	8002696	1	
11	Hose Tilt 3/8"	7002129	2	
12	Hose Tilt 1/2"	7002130	2	
● Use cable ties				

POS in order of assembly



Valves

