

## COVERSHEET

## Planned document changes:


**Briefly:**



---

 No planned changes.

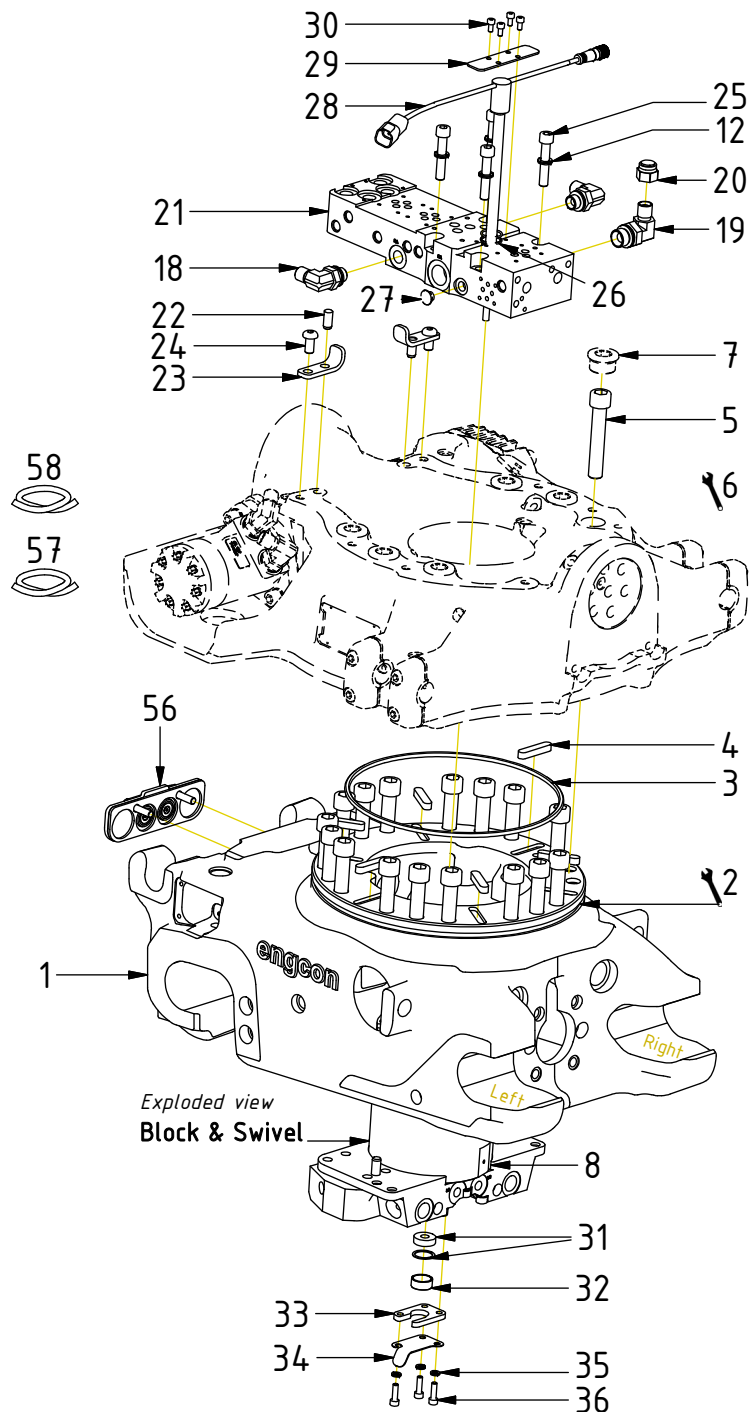
## Document changes:

Date:	Change:	Rev. after change:
2025-04-11	Spare part o-rings added.	P
2024-11-14	Included plug from valve block added.	O
2024-01-17	Valve block screws must be tightened in cross pattern. Lock hose replaced.	N
2022-01-19	Screws updated.	M
2021-11-11	Lock hose replaced. Quick hitch updated.	L
2021-09-08	Visual error corrected.	K
2020-12-17	Protection plugs added. Screws updated.	J
2020-11-11	Plugs corrected, glue added, torque added.	I
2020-06-25	Visual error corrected.	H
2020-05-28	Solution for Extra 2 (Q) on QSM updated.	G
2020-02-21	Silicone to slip ring added.	F
2019-12-20	QSM-Q couplings replaced. Spare parts added.	E
2019-09-30	Screw quality updated.	D
2019-04-02	ALU parts updated to steel.	C
2019-01-08	Layout/irrelevant.	B
2018-12-19	Part no for slip ring cover plate updated.	A
2018-11-28	New document.	-

*Readers note:*
 Indicates instruction.

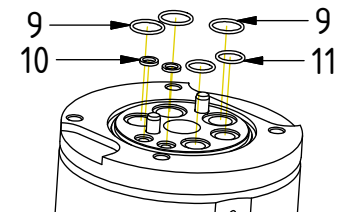
 Represents Hose.

Dashed lines for overview, mounts  
on other pages/assemblies.



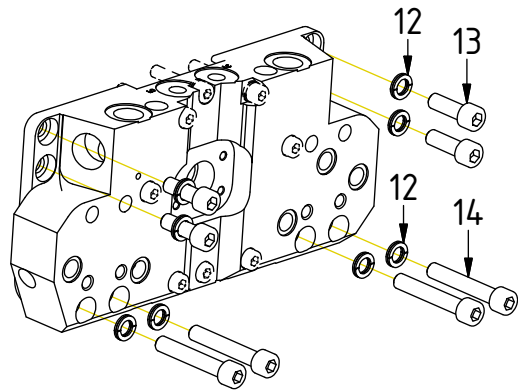
POS	DESCRIPTION	PART	QTY	COMMENTS
1	Quick hitch QSM60 V3 EC214	1073715	1	
2	Grease the ring			
3	O-ring 249,3x5,7	712424	1	
4	Feather Key	650102	6	
5	Screw MC6S M16x90 12.9 ZFSHL	6000151	18	Torque: 333Nm
6	Torque tighten rotator frame to hitch. Rotate to access all holes			
7	Pipe plug M30x1,5	650410	6	Part of rotator frame
8	Connect. block & swivel QSM Compl.	1050600	1	
9	O-ring 17.17x1.78	710977	3	
10	O-ring 7,66x1,68 square	7000579	2	
11	O-ring 14x1,78	710975	7	
12	Washer NL 10mm	611041	20	QTY: 8 without EC-Oil
18	Adapter 401-06-06 90° (3/8")	710152	2	Assemble before valve block
19	Adapter 401-06-08 90° (3/8"-1/2")	710157	1	Assemble before valve block
20	Protective cap 155-06 (3/8")	711626	1	
21	Valve Block QSM	1049297	1	
22	Cylindrical pin CRP 10x24 6m	1020539	2	Loxeal 53-11
23	Swivel stop EC214	1047831	2	
24	Screw K6S M10x20 10.9 FZB	611812	2	Loxeal 83-52
25	Screw MC6S M10x55 12.9 ZFSHL	612022	4	Torque: 79Nm Tighten in cross pattern
26	O-ring 21,95x1,78	710983	2	(Incl. with valve block)
27	Plastic plug KS 15 G 1/4"	7001983	1	(Incl. with valve block)
28	Slip ring QSM60 M12	1046763	1	Mount with marine silicone
29	Cover plate slip ring	1050384	1	
30	Screw MC6S M5x10 12.9	610594	4	
31	Rubber bushing	1046691	1	Use the outer ring. Washer down
32	Ring slip ring QSM	1046692	1	
33	Plate slip ring QSM	1046689	1	
34	Plate cable steering QSM	1046694	1	
35	Washer NL 6mm	611039	3	
36	Screw MC6S M6x20 8,8 FZB	610310	3	
56	Cover plate QSM60 magnet	1049327	1	
57	Hose hydraulic motor Short	7000789	1	
58	Hose hydraulic motor Long	7000790	1	

Between swivel & valve block:

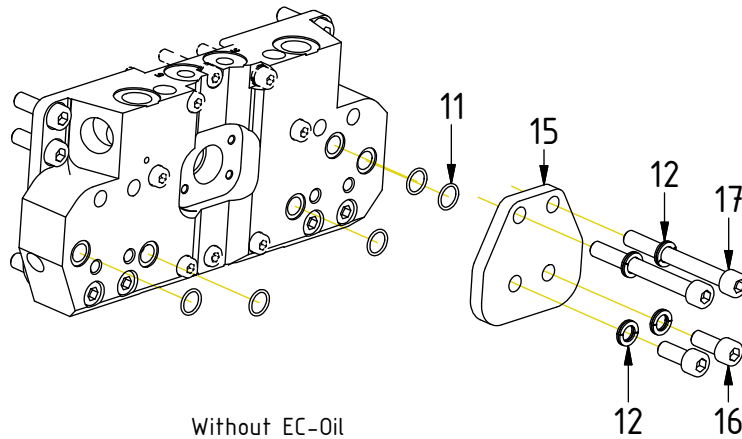


# EC214 QSM - Hitch QSM60

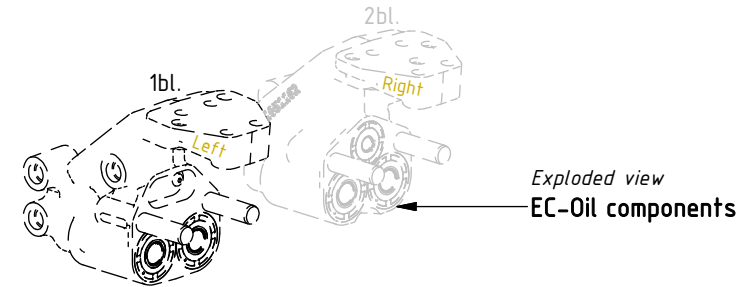
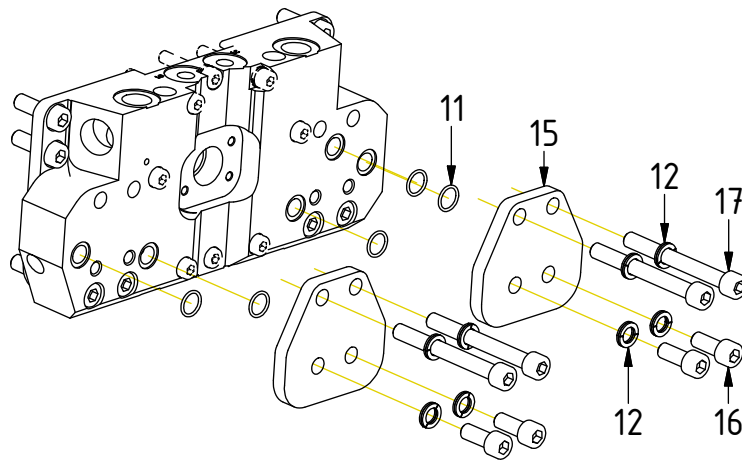
POS	DESCRIPTION	PART	QTY	COMMENTS
11	O-ring 14x1,78	710975	7	
12	Washer NL 10mm	611041	20	QTY: 8 without EC-Oil
13	Screw MC6S M10x30 12.9 Geomet	612018	4	
14	Screw MC6S M10x60 12.9 Geomet	611503	4	
15	Cover plate QSM60	1044.083	2	
16	Screw MC6S M10x25 12.9 ZFSHL	6000195	4	Torque: 79Nm
17	Screw MC6S M10x90 12.9 ZFSHL	6000153	4	Torque: 79Nm



EC-Oil 1bl.



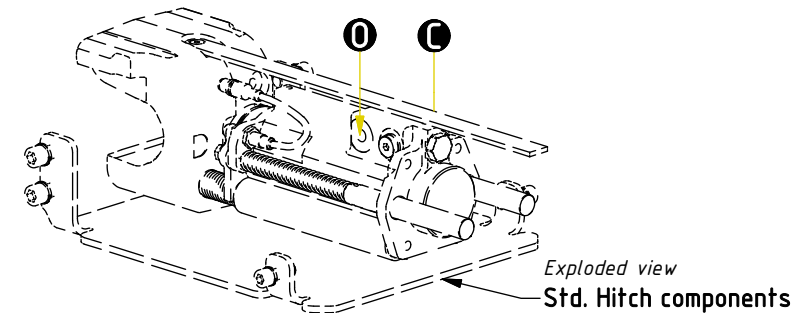
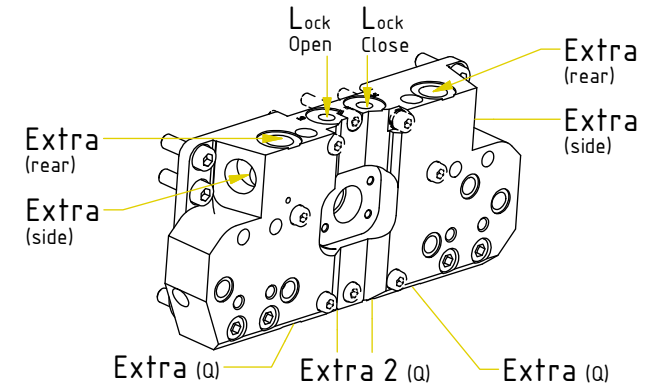
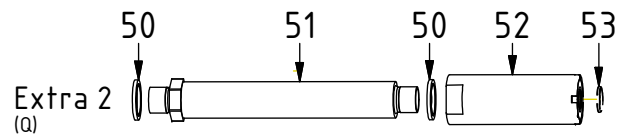
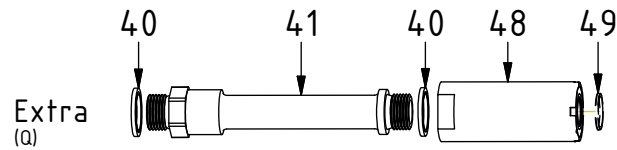
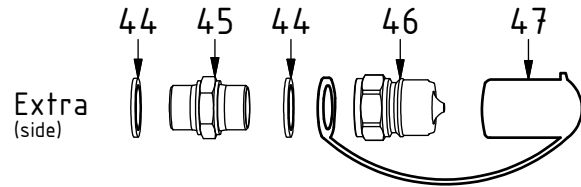
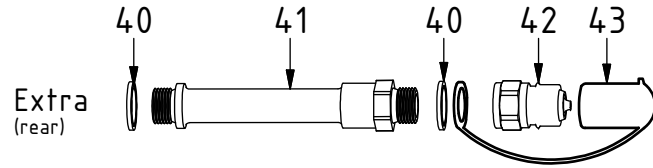
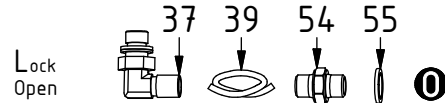
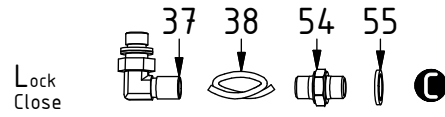
Without EC-Oil



# EC214 QSM - Hitch QSM60

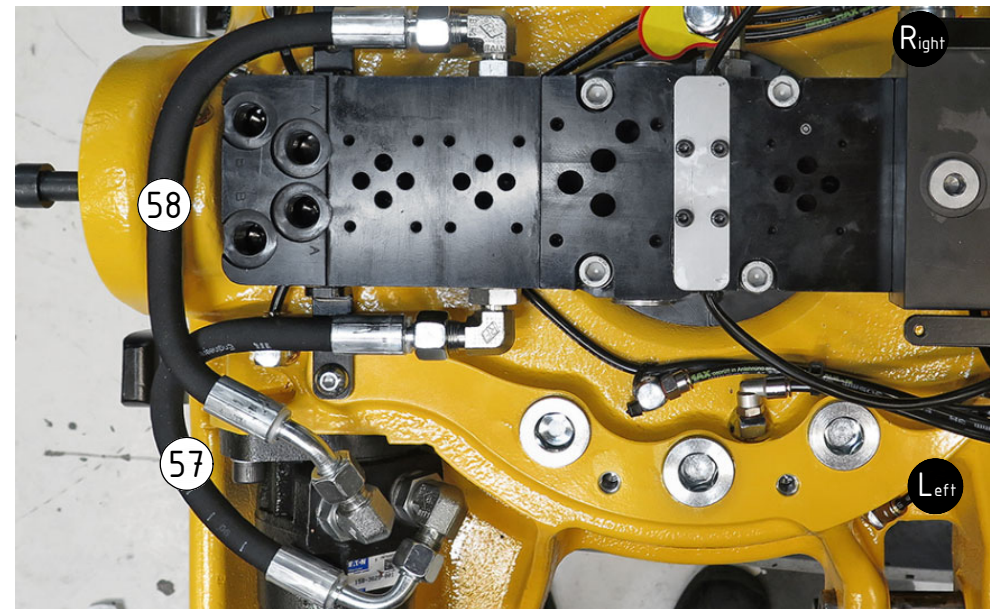
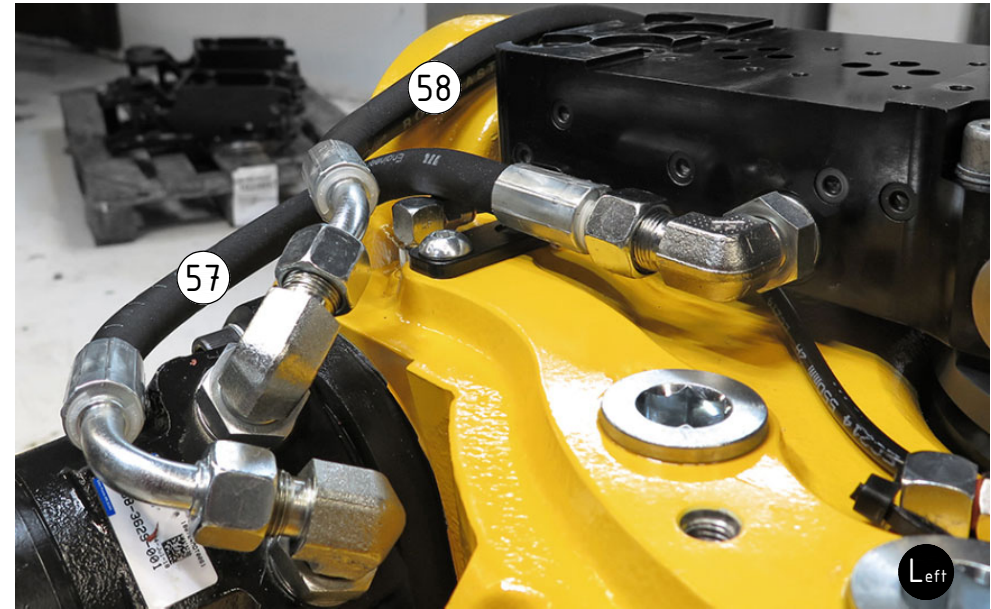
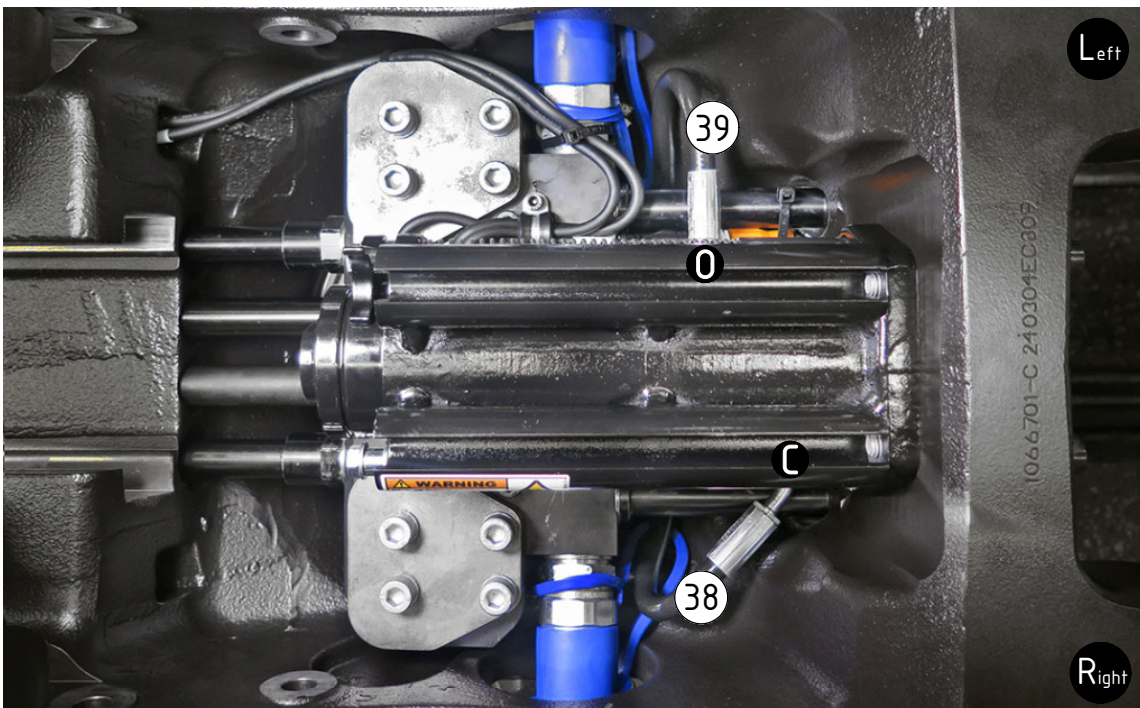
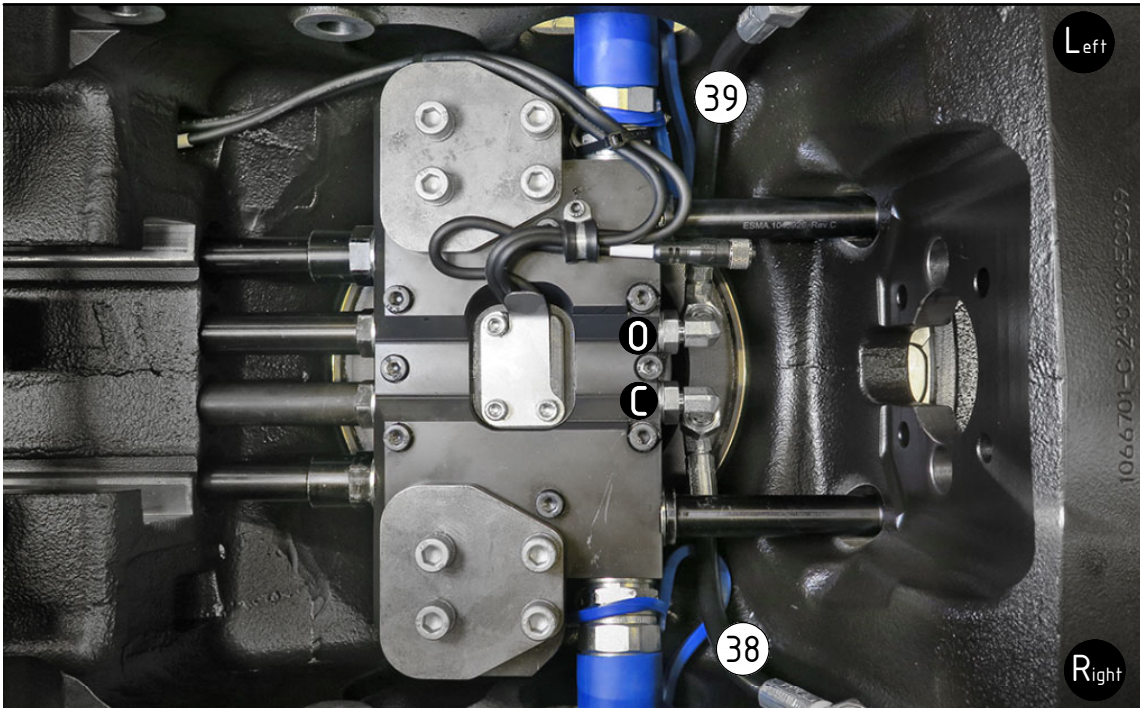
POS in order of assembly

POS	DESCRIPTION	PART	QTY	COMMENTS
37	Adapter 401-04-04 90° (1/4")	710151	2	
38	Hose Lock Close	7001956	1	
39	Hose Lock Open	7001957	1	
40	Washer GBR08 1/2	710704	8	
41	Adapter extension extra 1/2"	1045926	4	
42	Quick coupling 1/2"	790115	2	
43	Dust Protection 1/2"	790121	1	
44	Washer GBR12 3/4	710706	4	
45	Adapter 136-12-12 (3/4")	710126	2	
46	Quick coupling 3/4"	790193	2	
47	Dust Protection 3/4"	790195	1	
48	Coupling ECO QSM 1/2" female V3	1055420	2	Loxeal 83-52. (POS.49 included)
49	Flat sealing for ECO 1/2" V3	1050018	2	
50	Washer GBR06 3/8	710703	4	
51	Adapter extension 3/8"	1045927	2	
52	Coupling ECO QSM 3/8" female V3	1055682	2	Loxeal 83-52. (POS.53 included)
53	Flat sealing for ECO 3/8" V3	1052976	2	
54	Adapter 138-04-29 (1/4")	710135	2	
55	Washer GBR04 1/4	710702	4	





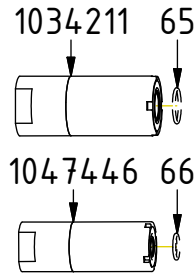
POS	DESCRIPTION	PART	QTY	COMMENTS
38	Hose Lock Close	7001956	1	
39	Hose Lock Open	7001957	1	
57	Hose hydraulic motor Short	7000789	1	
58	Hose hydraulic motor Long	7000790	1	



## SPARE PARTS

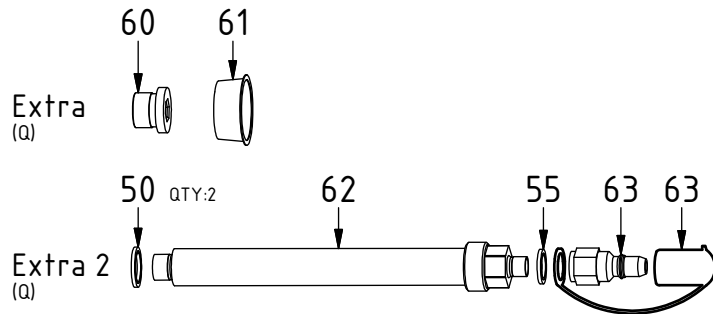
POS	DESCRIPTION	PART	QTY	COMMENTS
38	Hose Lock Close	7001956	1	
39	Hose Lock Open	7001957	1	
48	Coupling ECO QSM 1/2" female V3	1055420	2	Loxeal 83-52. (POS.49 included)
49	Flat sealing for ECO 1/2" V3	1050018	2	
50	Washer GBR06 3/8	710703	4	
52	Coupling ECO QSM 3/8" female V3	1055682	2	Loxeal 83-52. (POS.53 included)
53	Flat sealing for ECO 3/8" V3	1052976	2	
55	Washer GBR04 1/4	710702	4	
59	Hose Lock	7001613	2	Replaced by POS.38-39 fr 2024-01
60	Plug 70125-08 (1/2")	711500	2	
61	Protection plug HECO60 hydraulic	7000155	2	
62	Adapter 3/8"-1/4" bolted GRD	1050319	2	
63	Quick Coupler 1/4" Male 2520	790111	2	
64	Dust Protection 1/4"	790119	2	
65	O-ring 17.17x1.78	710913	2	Used until 2020-01 Separate seal kit: 7000046
66	O-ring 12,42x1,78	712417	2	Used until 2020-01 Separate seal kit: 7000045
67	Adapter 45° 402-04-04(1/4")	7000104	4	
68	Hose Lock	7000743	2	Replaced by POS.59 from 2021-09

QSM-Q:

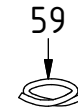


O-rings between versions are not compatible

QSM:



Lock hoses until 2024-01:



Lock hoses until 2021-09:

