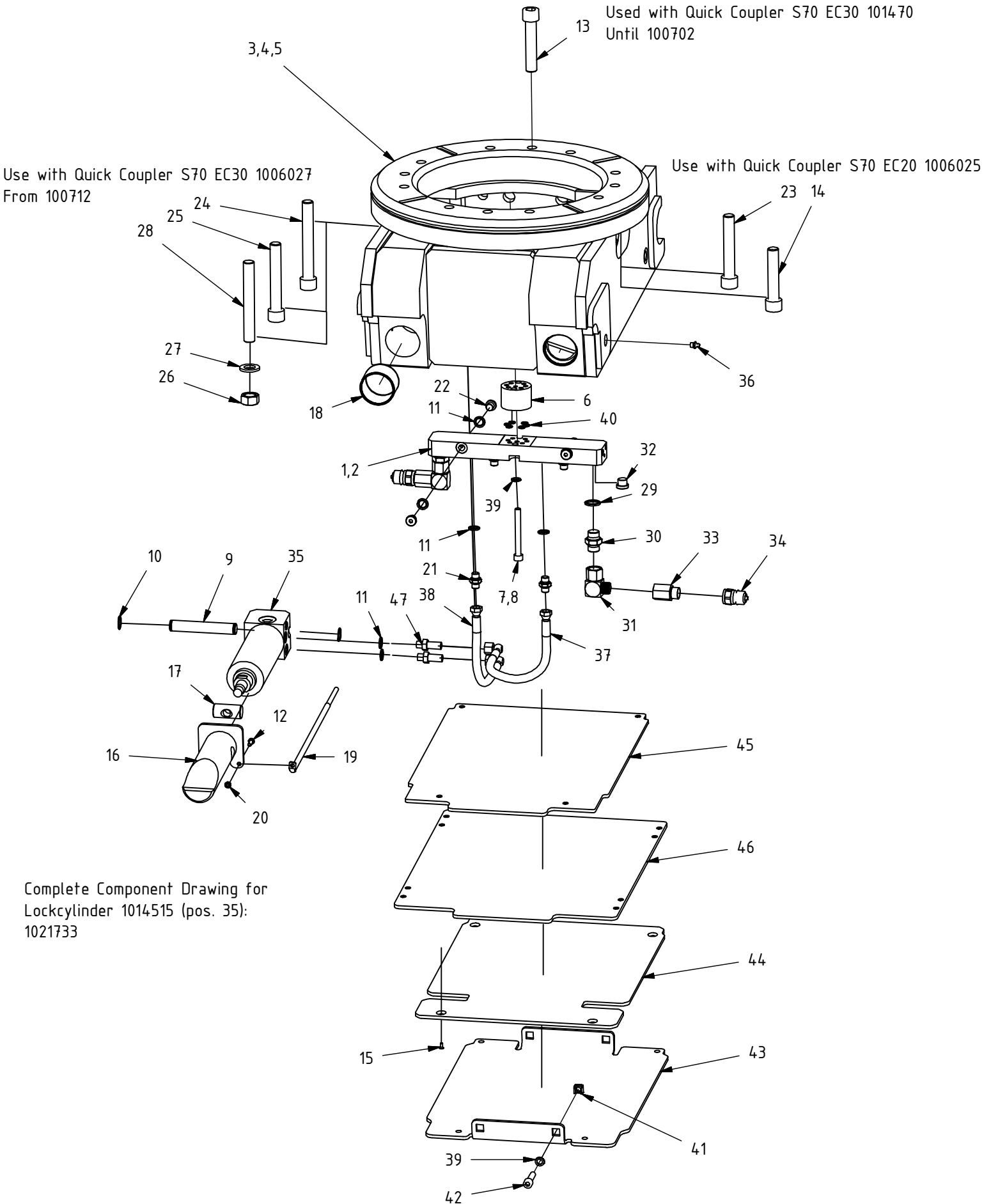


Components S70 EC20/EC30

Published: 2014-01-23

Drawing No: 403886/G



Components S70 EC20/EC30

Published: 2014-01-23				Drawing No: 403886/G	
POS	DESCRIPTION	PART	QTY	COMMENTS	
1	Connection block EC30	203431	1		
2	Connection block EC20	203430	1		
3	Quick Coupler S70 EC30	1006027	1		
4	Quick Coupler S70 EC30	101470	1	Until 100702	
5	Quick Coupler S70 EC20	1006025	1		
6	Svivel extension 6ch.	402796	1	For use with EC30 Quick Coupler	
7	Socket Head Screw 10 x 90	610465	2	For use with Svivel extension 6ch.	
8	Socket Head Screw 10 x 50	610457	2	For use with EC20 Connection block 203430	
9	Shaft KM09	400923	2		
10	Circlips	640201	4		
11	Sealing washer 04 (1/4")	710702	12		
12	Hex Head Screw 6 x 16	610109	2		
13	Socket Head Screw 20 x 100	610557	12		
14	Socket Head Screw 20 x 100	610557	6	Use with Quick Coupler 25 EC20 1006025	
15	Flat head socket screw 4x10	610605	4		
16	Lockwedge	201206	2		
17	Lock nut	402894	2		
18	Bushing 60/65x45	630310	2		
19	Indicating stick	400911	2		
20	Hex. Nut M6 Nylon Lock	610921	2		
21	Adapter 138-04-29	710135	4		
22	Plug 1/4"	711505	4		
23	Socket Head Screw 20 x 120	610558	6		
24	Socket Head Screw 20 x 150	610562	6		
25	Socket Head Sw 20 x 130	610560	4		
26	Hex. Nut M20	610911	2		
27	Flat Washer	611093	2		
28	Pin Bolt m20x155	611184	2		
29	Sealing washer 08 (1/2")	710704	2		
30	Adapter	710108	2		
31	Adapter 90*	710217	2		
32	Plug	711504	2		
33	Adapter 703-08-08	710221	2		
34	Tema 5020 1/2"	790115	2		
35	Locking Cylinder S70,80	1014515	2		
36	Grease Nipple	711403	2		
37	Hose Locking	740316	2		
38	Hose Locking	740205	2		
39	Nordlock washer 10	611041	6		
40	O-ring	710901	6	9,25x1,78	
41	Craqe Nut M10 C	610957	4		
42	Socket Head Screw 10 x 40	610453	4		
43	Cover Plate 25/S70	1003069	1		
44	Coverplate S70	200430	1	Until 0403	
45	Coverplate S70	1000618	1	Until 0805	
46	Coverplate S70	201205	1	Until 0704	
47	Bulkhead adapter	710240	4		