

COVERSHEET

Planned document changes:

Briefly:

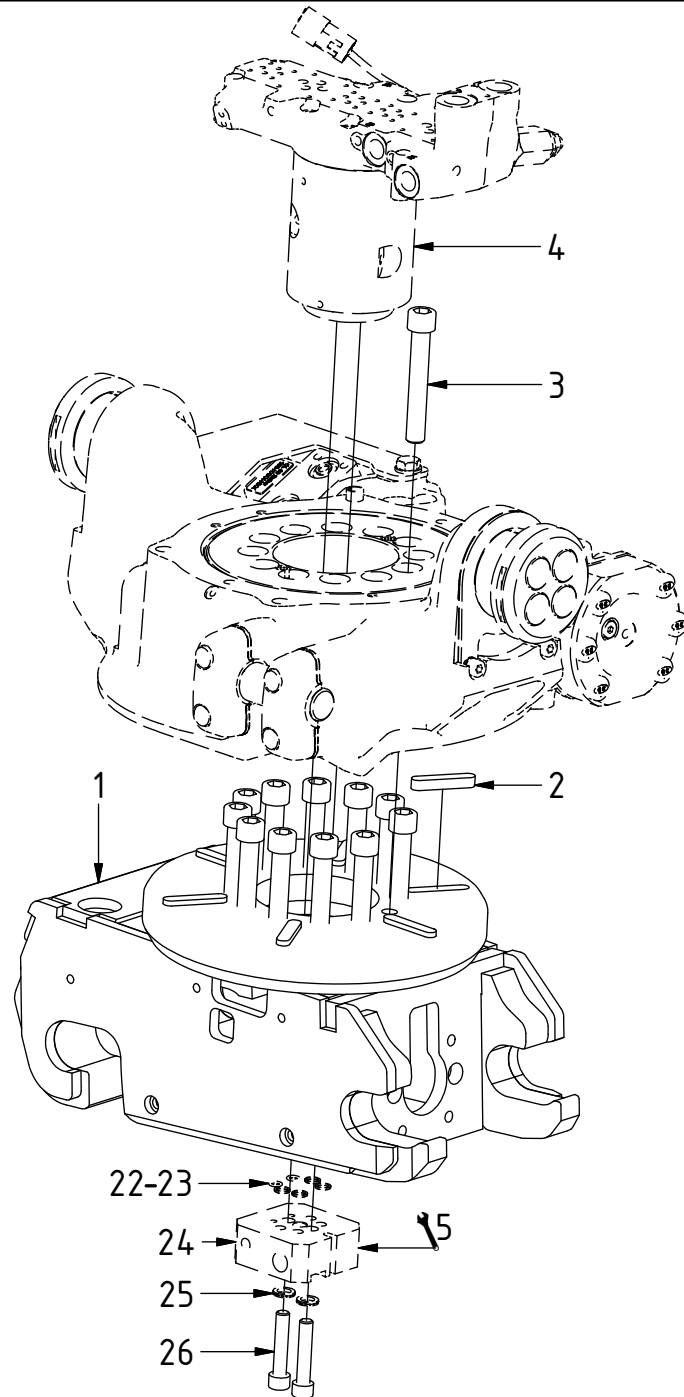
Correct description POS.16: Banjo bolt 4451-02 (1/8").

Document changes:

<u>Date:</u>	<u>Change:</u>	<u>Rev. after change:</u>
2020-12-29	Photo replaced.	A
2020-04-02	New instruction.	-

EC206 - S40S

POS in order of assembly

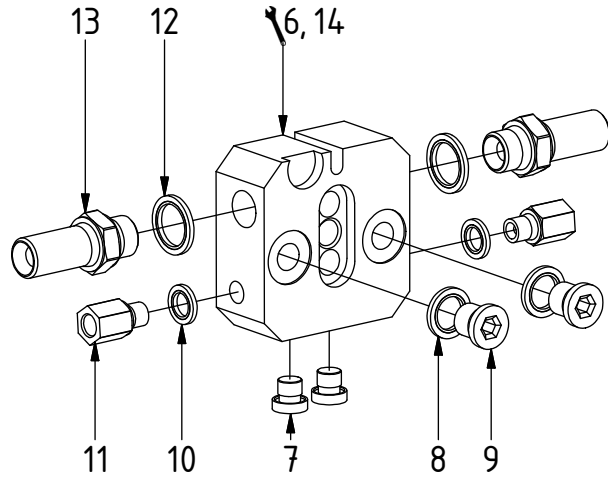


POS	DESCRIPTION	PART	QTY	COMMENTS
1	Quick hitch S40S EC206	1056640	1	
2	Feather Key	650102	6	
3	MC6S M14x90 12.9	610510	12	
4	Valve block & swivel Complete w. slipping DTM	1031333	1	(POS.22-26 included) Part of control system See "Valve blocks & swivels"
5	See p.3 connection block config.			
22	O-ring 6,1x1,6	710954	2	
23	O-ring 9,25x1,78	710901	4	
24	Connection Block EC206	1016582	1	
25	Washer NL10	611041	2	
26	MC6S M10x50 12.9 Geomet	611515	2	

EC206 - S40S

POS	DESCRIPTION	PART	QTY	COMMENTS
6	Disassemble connection block from swivel			
7	Plug 70125-02 (1/8")	711503	2	
8	Washer GBR04 1/4	710702	2	
9	Plug 153-04 (1/4")	711505	2	
10	Washer GBR02 1/8	710701	12	
11	Adapter 236-02-02	710129	2	
12	Washer GBR06 3/8	710703	4	
13	Adapter 1260-06-32 (3/8")	710242	2	
14	Reassemble connection block to swivel			

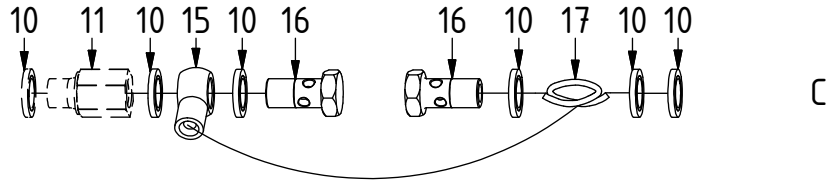
POS in order of assembly



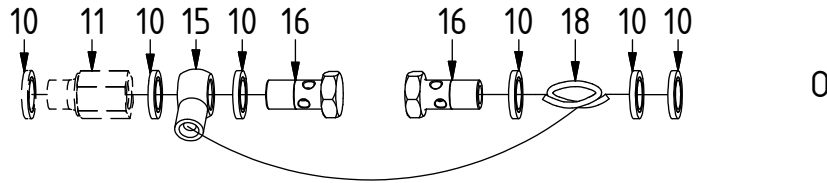
EC206 - S40S

POS	DESCRIPTION	PART	QTY	COMMENTS
10	Washer GBR02 1/8	710701	12	
11	Adapter 236-02-02	710129	2	
12	Washer GBR06 3/8	710703	4	
13	Adapter 1260-06-32 (3/8")	710242	2	
15	Adapter 830-02-02 (1/8")	712212	2	
16	Banjo bolt 4451-02 (1/2")	710277	4	
17	Lock Hose C	7001325	1	
18	Lock Hose O	7001324	1	
19	Adapter 45-06-06 45° (3/8")	710211	2	
20	Quick coupling 3/8"	790113	2	
21	Dust protection	790120	2	

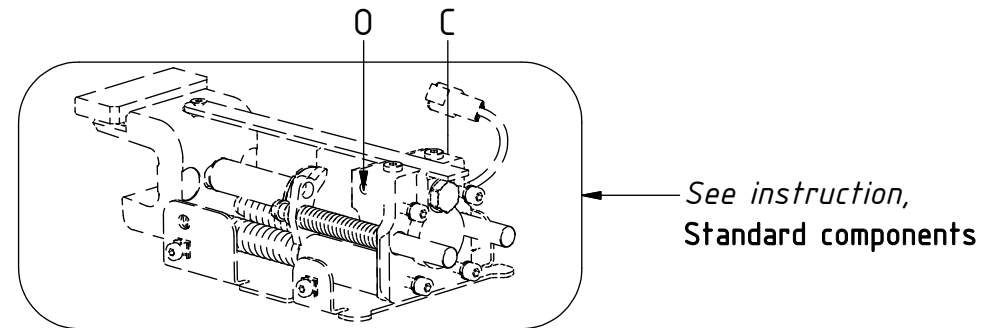
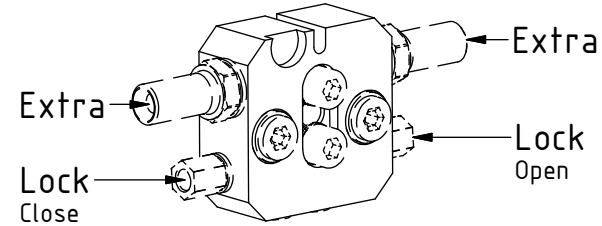
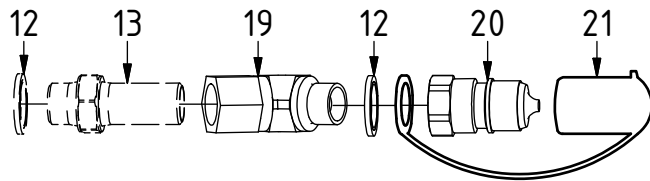
Lock:
Close



Lock:
Open



Extra:
Standard



POS	DESCRIPTION	PART	QTY	COMMENTS
17	Lock Hose C	7001325	1	
18	Lock Hose O	7001324	1	

