

EC02 Main Components

Published: 2006-06-02

Drawing No: 405400/A

COVERSHEET

Discontinued model/configuration, exploded view will receive no updates.

Notable regarding spare parts:

Tilt bushing 630003 used between top part and tilt axle.

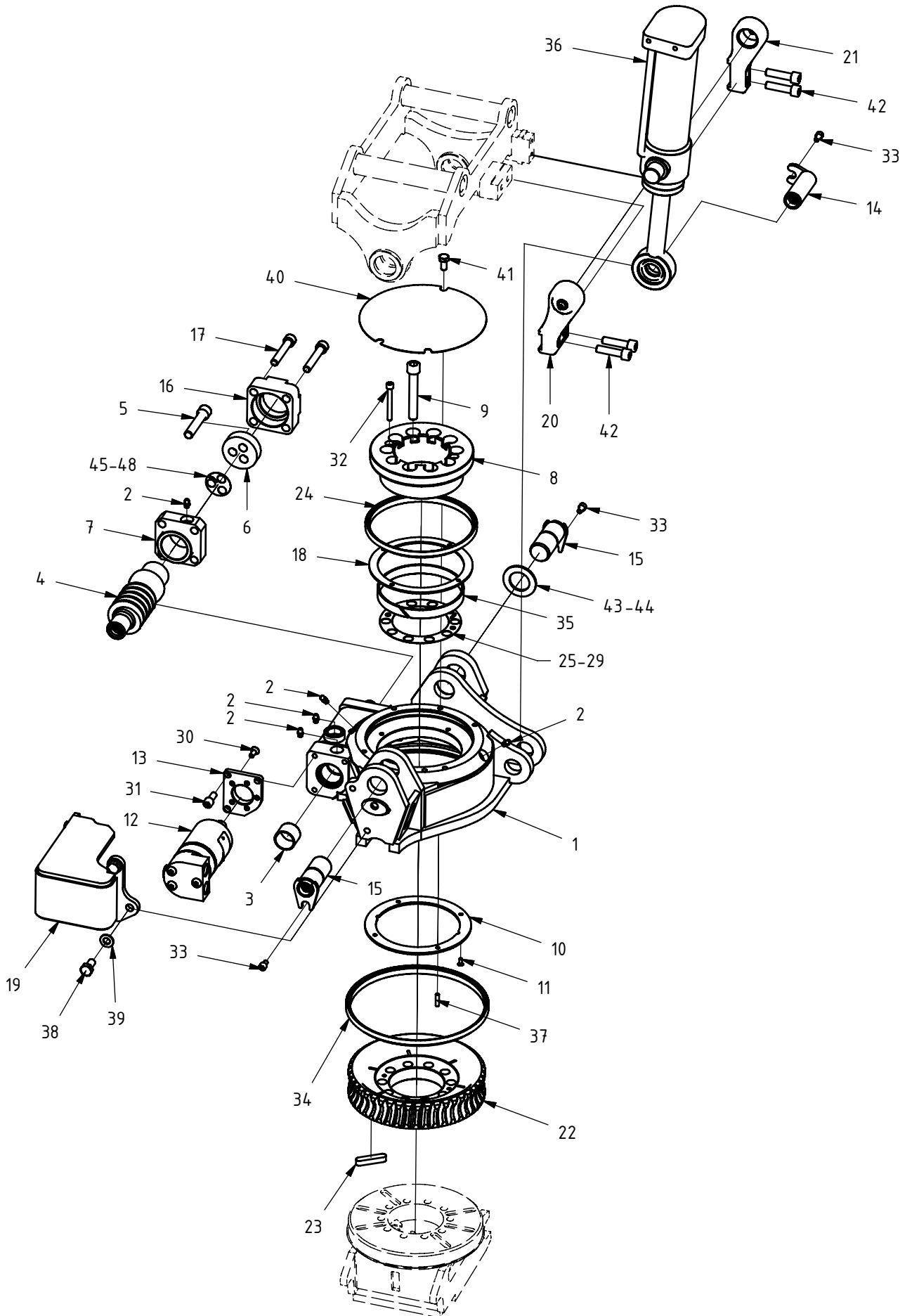
Lube free yoke 1041966 replaces POS.20, and 1036701 replaces POS.21. New bushing 6000001 included.

Valve plate POS.40 is used without swivel, use 1001212 for swivel.

EC02 Main Components

Published: 2006-06-02

Drawing No: 405400/A



EC02 Main Components

Published: 2006-06-02				Drawing No: 405400/A	
POS	DESCRIPTION	PART	QTY	COMMENTS	
1	Main Frame Machining	102484	1		
2	Grease Nipple	711405	5	M6 Straight	
3	Bearing 28/30x25	630004	1	WB700	
4	Worm Screw	202898	1		
5	Socket Head Screw 12 x 60	610480	3	12.9 Untreated ISO 4762	
6	Washer	405234	1		
7	Gear bearing	405201	1		
8	Centerring	303290	1		
9	Socket Head Screw 12 x 80	610484	10	12.9 Untreated ISO 4762	
10	Wear washer	303292	1		
11	Flat head socket screw 4x10	610605	4	10.9 Untreated DIN 7991	
12	Motor J2 50cc	720113	1		
13	Motor Adapter	303306	1		
14	Tilt cylinder axle	405187	1		
15	Tilt axle	405186	2		
16	Gearcap Casted	303307	1		
17	Socket Head Screw 10 x 60	611503	4	12.9 Dacromet ISO 4762	
18	Bearing	303334	1	WB700 152/125x2,5	
19	Cover	303286	1		
20	Tiltcylinder bracket	405195	1	(630001 & 711403 included)	
21	Tiltcylinder bracket	405200	1	(630001 & 711403 included)	
22	Wormgear EC02	303291	1		
23	Feather Key	650101	6		
24	Seal centre ring	710951	1	WD1701500 B+S	
25	Spacer 1mm	405212	1	For Center Ring	
26	Spacer 0,8mm	405213	1	For Center Ring	
27	Spacer 0,5mm	405214	1	For Center Ring	
28	Spacer 0,6mm	405215	1	For Center Ring	
29	Spacer 0,7mm	405216	1	For Center Ring	
30	Socket Head screw 6 x 16	610413	5	12.9 Untreated ISO 4762	
31	Socket Head Screw 8 x 20	610433	3	12.9 Untreated ISO 4762	
32	Socket Head Screw 6 x 55	610421	2	12.9 Untreated ISO 4762	
33	Socket Head Screw 6 x 10	611512	3	12.9 Dacromet ISO 4762	
34	Seal quick coupler	710952	1	WD1701950 B+S	
35	Wear Ring	710953	1	GR7301200-C380 B+S	
36	Tiltcylinder 50/25	303440	1		
37	Slotted pin S5x20	640407	4	SS5465 (D&E 302475)	
38	Hex Head Screw 10 x 20	610141	4	8.8 Zinc plated ISO 4014	
39	Flat Washer	611006	4	10,5x20 Zinc plated ISO 7089	
40	Plate	303444	1		
41	Hex Head Screw 8 x 16	610122	3	8.8 Zinc plated ISO 4014	
42	Socket Head Screw 10 x 40	610453	4	12.9 Untreated ISO 4762	
43	Spacer 3mm	405236	1		
44	Spacer 2mm	405235	1		
45	Spacer 0,8mm	405217	1	For Worm Screw	
46	Spacer 0,5mm	405218	1	For Worm Screw	
47	Spacer 0,6mm	405219	1	For Worm Screw	
48	Spacer 0,7mm	405220	1	For Worm Screw	