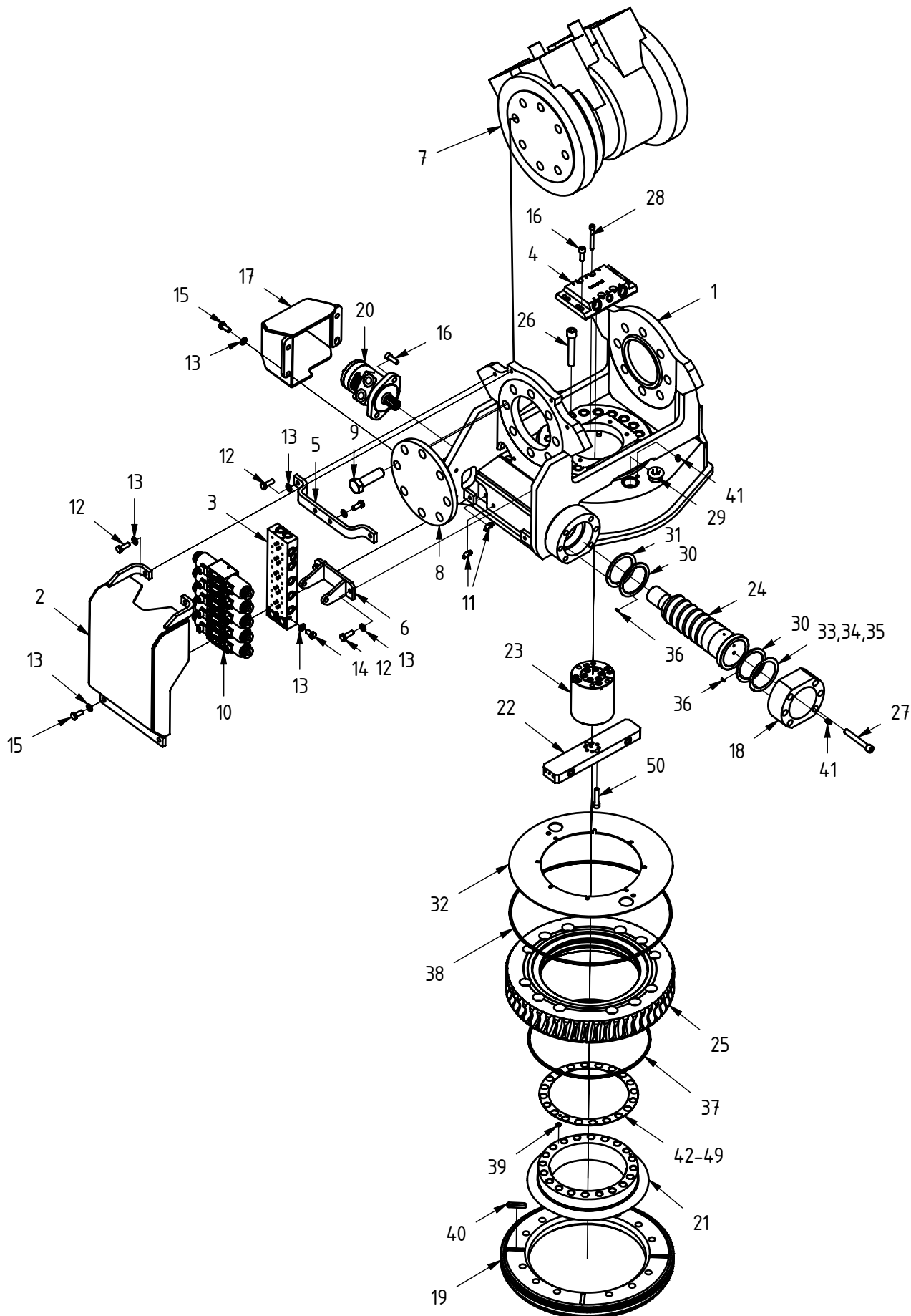


## Rädlinger EC20 Main

Published: 2006-04-18

Drawing No: 405310/A



# Rädlinger EC20 Main

Published: 2006-04-18

Drawing No: 405310/A

POS	DESCRIPTION	PART	QTY	COMMENTS
1	Housing Rädlinger EC20	102395	1	
2	Valve protection	102481	1	
3	Valve block for tilt motor	202870	1	
4	Valve block for tilt motor	202871	1	
5	Valve block upper holder	303296	1	
6	Valve block lower holder	202896	1	
7	Powertilt Rädlinger	102344	1	
8	End cover Rädlinger KL2S	303297	2	(EC20)
9	Hexagon head bolt DIN 931 - M24x80	610262	16	
10	Directional Valve	730103	5	24V bidirectional
11	Grease Nipple	711401	2	M8 45°
12	Hex Head Screw 10 x 30	610143	6	8.8 Zinc plated ISO 4014
13	Flat Washer	611006	16	10,5x20 Zinc plated ISO 7089
14	Hex Head Screw 10 x 20	610141	2	8.8 Zinc plated ISO 4014
15	Hex Head Screw 10 x 25	610142	8	8.8 Zinc plated ISO 4014
16	Socket Head Screw 10 x 30	610452	6	12.9 Untreated ISO 4762
17	Motor Prot. EC20 & 30	100010	1	
18	End Lock EC10,15,20	300032	1	
19	EC20 Ring Half machined	300040	1	
20	Motor	720108	1	CL159 101-3094-009
21	Center Ring 20	302807	1	
22	Connection Block	200476	1	For 6-ch. Svivel
23	Svivel 6 channel	400661	1	
24	Worm Screw	300030	1	
25	Worm Gear Reversed EC20	300945	1	
26	Socket Head Screw 16 x 100	610532	20	12.9 Untreated ISO 4762
27	Socket Head Screw 12 x 90	610486	6	12.9 Untreated ISO 4762
28	Socket Head Screw 8 x 70	610443	4	12.9 Untreated ISO 4762
29	RP M36x2 Din 908 Sv,krom	650404	2	
30	Axial Washer	300031	2	
31	Supportring	650301	1	80/100
32	Wear Washer 20	400310	1	
33	Shims 80/100x0,1	650513	1	
34	Shims 80/100x0,2	650514	1	
35	Shims 80/100x0,3	650515	1	
36	Centerpin	650201	2	S4 3,0x12 45S20K
37	O-ring	710908	1	314,3x5,7
38	O-ring	710909	1	419,3x5,7
39	O-ring	710901	1	9,25x1,78
40	Feather Key	650102	4	10x8x50
41	Grease Nipple	711403	4	R1/8" Straight
42	Shims Centerring	201365	1	
43	Shims Centerring	201405	1	
44	Shims Centerring	201406	1	
45	Shims Centerring	201407	1	
46	Shims Centerring	201793	1	
47	Shims Centerring	202054	1	
48	Shims Centerring	202055	1	
49	Shims Centerring	202056	1	
50	Socket Head Screw 10 x 50	610457	2	12.9 Untreated ISO 4762