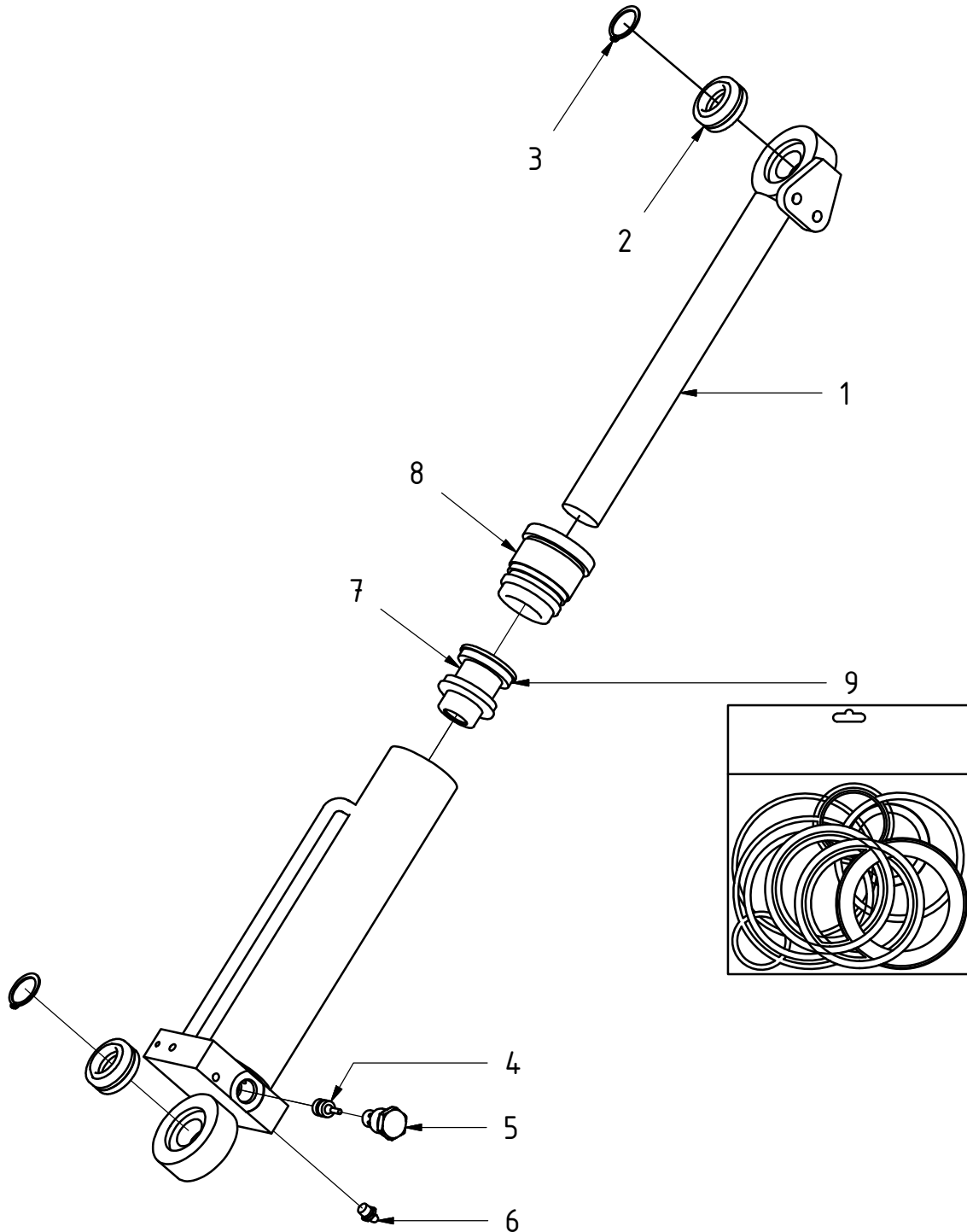


Grabcylinder 301900K/301901K

Published: 2019-05-02

Drawing No: 405004/E



engcon[®]

SPARE PARTS

Grabcylinder 301900K/301901K

Published: 2019-05-02

Drawing No: 405004/E

POS	DESCRIPTION	PART	QTY	COMMENTS
1	Piston Rod	750150	1	
2	Joint Bearing	620100	2	GE25ES LS
3	Circlip SgH 48	640208	2	
4	Pilot Piston	730244	1	
5	One-Way Valve Sterling 10 & 20	730243	1	D02B2-1.0
6	Grease Nipple	711405	1	M6 Straight
7	Piston	750406	1	
8	Top nut	750306	1	
9	Sealing Kit	750239	1	