

**engcon**<sup>®</sup>

SPARE PARTS

Grabcylinder 301931K/301469K

Published: 2015-01-20

Drawing No: 404992/E

## COVERSHEET

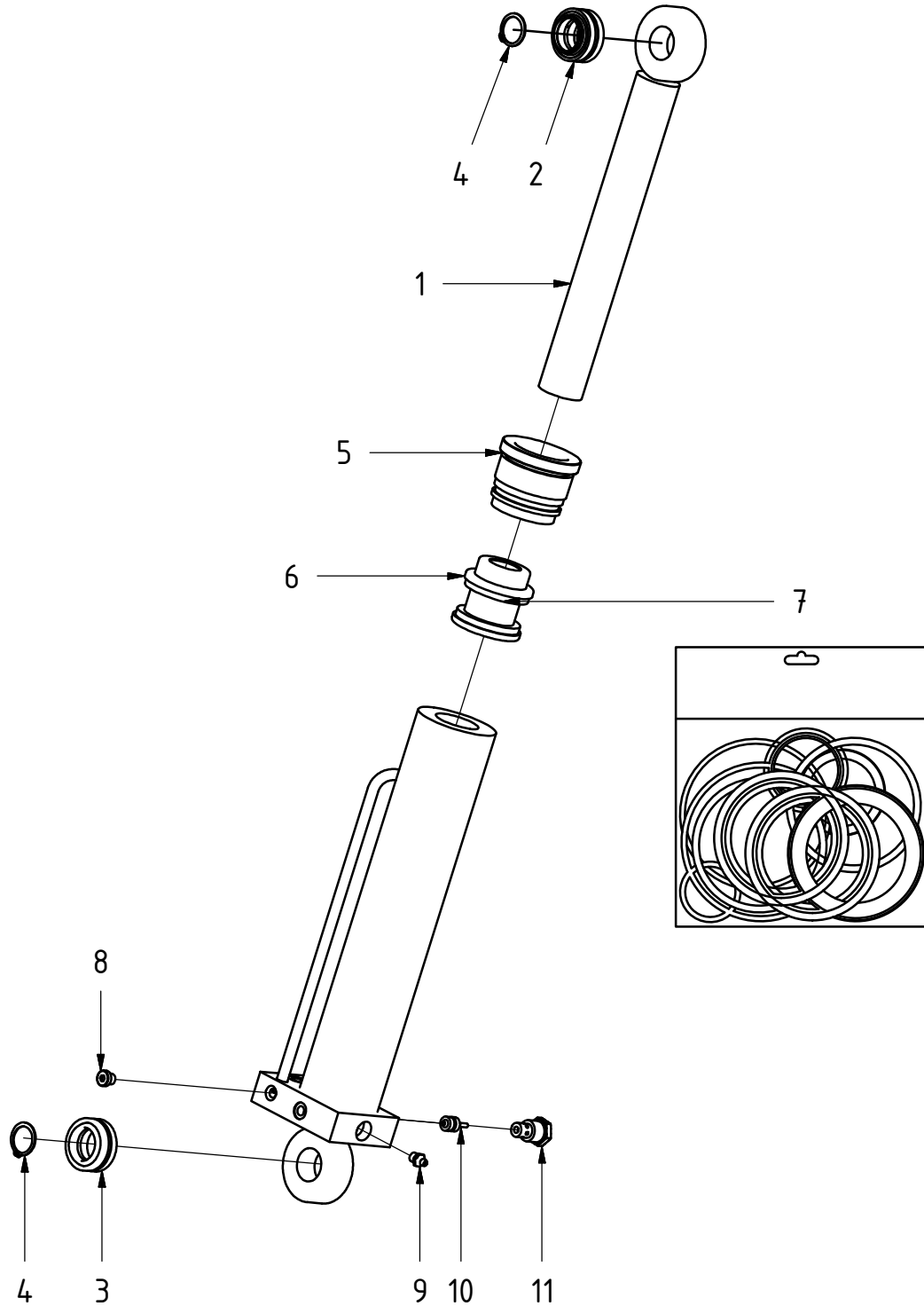
Planned document changes:

Add Torque: 45Nm to POS.11.

Grabcylinder 301931K/301469K

Published: 2015-01-20

Drawing No: 404992/E



**engcon**<sup>®</sup>

SPARE PARTS

**Grabcylinder 301931K/301469K**

Published: 2015-01-20		Drawing No: 404992/E		
POS	DESCRIPTION	PART	QTY	COMMENTS
1	Piston Rod Grab 20 ear	750138	1	
2	Joint Bearing	620107	1	
3	Joint Bearing	620104	1	
4	Circlip	640204	2	
5	Top nut $\varnothing$ 63/40	750305	1	
6	Piston $\varnothing$ 63/40	750408	1	
7	Seal Kit 63/40	750238	1	
8	Plug	711503	1	
9	Grease Nipple	711405	1	
10	Pilot Piston	730244	1	
11	Non-return Valve Sterling 10&20	730243	1	