

COVERSHEET

Planned document changes:

Briefly:

No planned changes.

Document changes:

Date:	Change:	Rev. after change:
2024-04-25	Seal kit clarification added.	K
2023-11-22	Layout irrelevant.	J
2023-06-01	Coversheet added.	I

Readers note:

Indicates instruction.

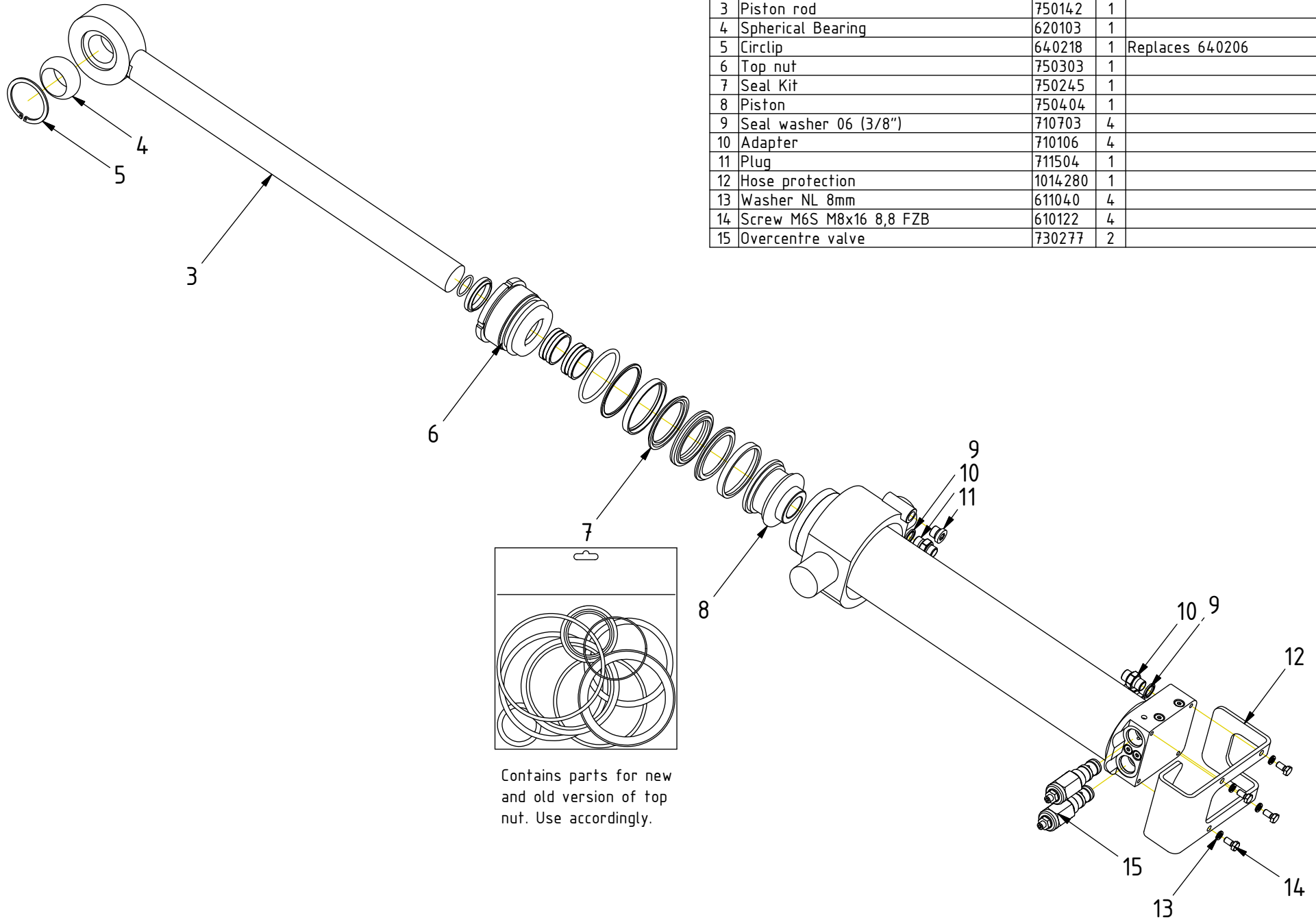


Represents Hose.

Dashed lines for overview, mounts
on other pages/assemblies.

Tilt cylinder EC30

POS in order of assembly



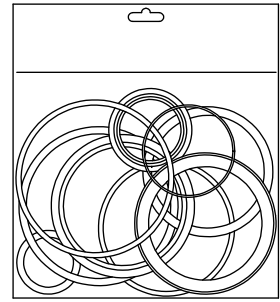
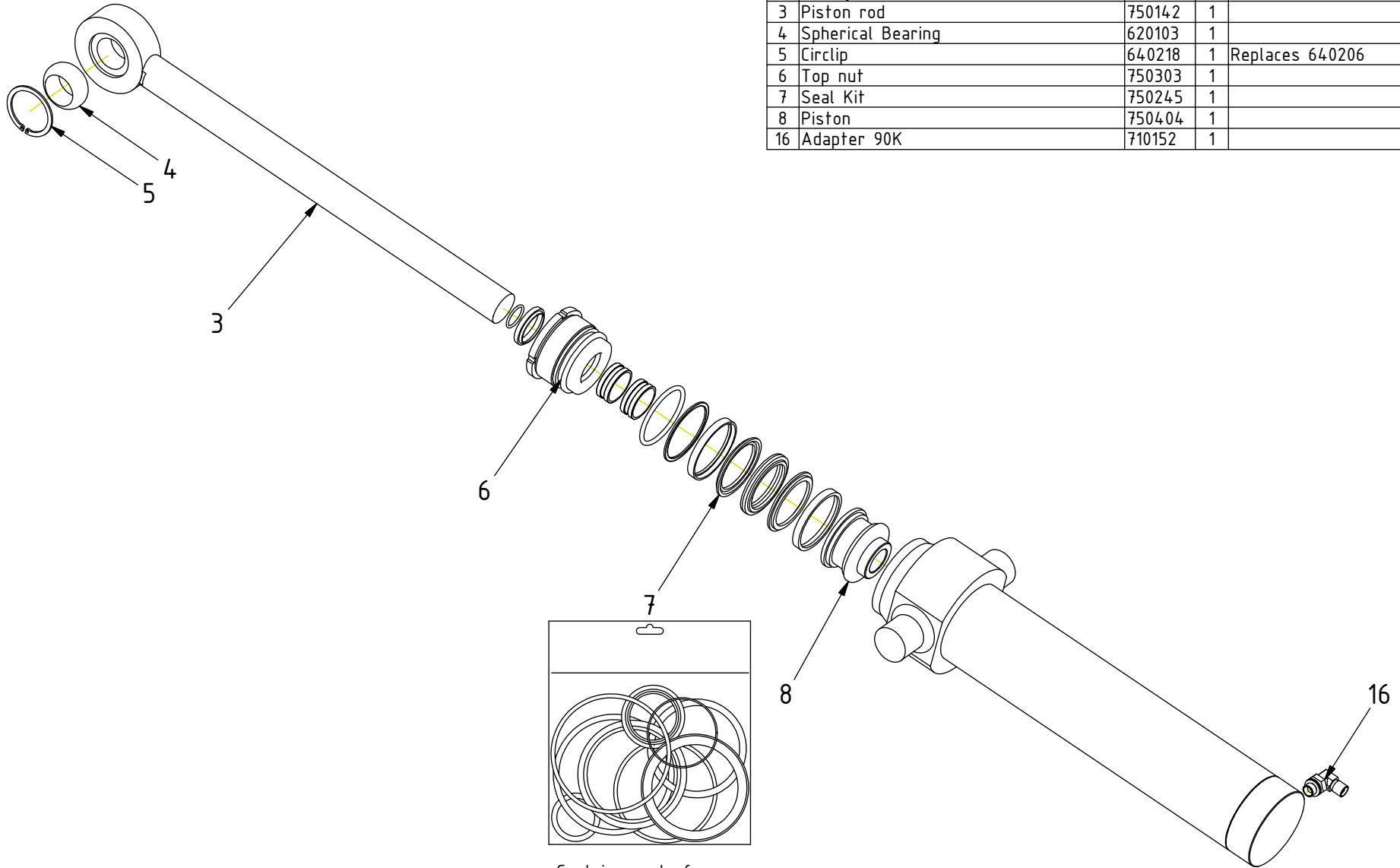
POS	DESCRIPTION	PART	QTY	COMMENTS
1	Tilt cyl. EC30 90/45 for overcenter	1014265	1	(POS.3-8 incl.)
3	Piston rod	750142	1	
4	Spherical Bearing	620103	1	
5	Circlip	640218	1	Replaces 640206
6	Top nut	750303	1	
7	Seal Kit	750245	1	
8	Piston	750404	1	
9	Seal washer 06 (3/8")	710703	4	
10	Adapter	710106	4	
11	Plug	711504	1	
12	Hose protection	1014280	1	
13	Washer NL 8mm	611040	4	
14	Screw M6S M8x16 8,8 FZB	610122	4	
15	Overcentre valve	730277	2	

Contains parts for new and old version of top nut. Use accordingly.

Tilt cylinder EC30

POS in order of assembly

POS	DESCRIPTION	PART	QTY	COMMENTS
2	Tilt cyl. EC30 90/45 E.L as of 2003-10	301630	1	(POS.3-8 incl.)
3	Piston rod	750142	1	
4	Spherical Bearing	620103	1	
5	Circlip	640218	1	Replaces 640206
6	Top nut	750303	1	
7	Seal Kit	750245	1	
8	Piston	750404	1	
16	Adapter 90K	710152	1	



Contains parts for new and old version of top nut. Use accordingly.