

COVERSHEET

Planned document changes:

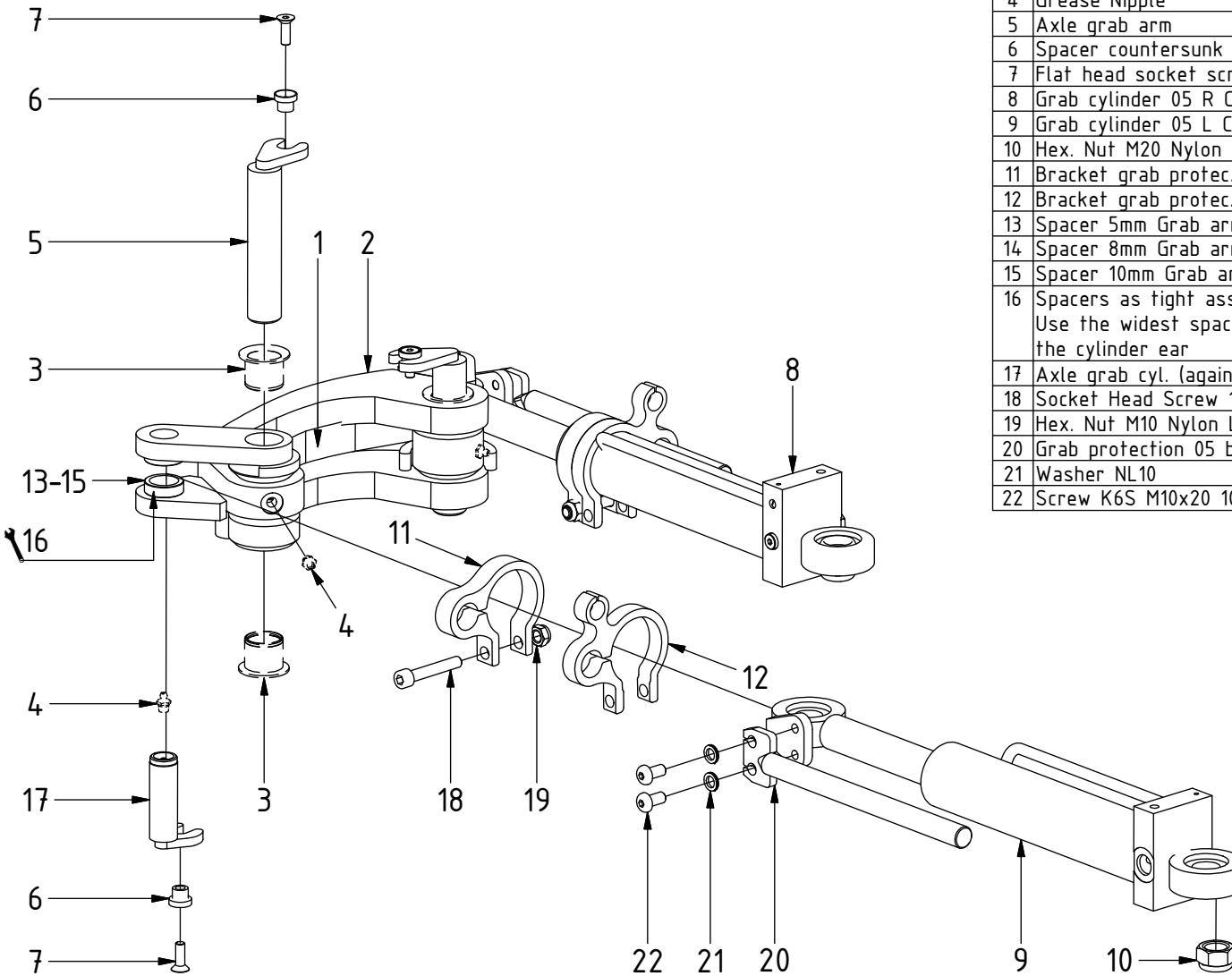
Briefly:

No planned changes.

Document changes:

Date:	Change:	Rev. after change:
2021-03-30	Bracket info corrected.	H
2019-04-23	Coversheet added.	G

Grab adapter GR05



POS	DESCRIPTION	PART	QTY	COMMENTS
1	Grab arm (single) Complete	200921K	1	(POS.3-4 included)
2	Grab arm (double) Complete	200922K	1	(POS.3-4 included)
3	Bushing 30/34/45x30	630401	4	
4	Grease Nipple	7114.03	4	
5	Axle grab arm	402885	2	
6	Spacer countersunk	400659	4	
7	Flat head socket screw 8x25	610608	4	Loctite 2700
8	Grab cylinder 05 R Complete	301901K	1	See "Grab cylinders"
9	Grab cylinder 05 L Complete	301900K	1	See "Grab cylinders"
10	Hex. Nut M20 Nylon Lock	610928	2	
11	Bracket grab protec. without extra	403385	2	For EC05B
12	Bracket grab protec. for extra	1025563	2	For EC204, EC206
13	Spacer 5mm Grab arm	402615	2	Used if required
14	Spacer 8mm Grab arm	402170	2	Used if required
15	Spacer 10mm Grab arm	402171	2	Used if required
16	Spacers as tight ass possible. Use the widest spacer underneath the cylinder ear			
17	Axle grab cyl. (against grab arm)	402598	2	(POS.4 included)
18	Socket Head Screw 10x60	610460	2	
19	Hex. Nut M10 Nylon Lock	610923	2	
20	Grab protection 05 blacknite	201251	2	
21	Washer NL10	611041	4	
22	Screw K6S M10x20 10.9	611812	4	