

## COVERSHEET

### Planned document changes:

**Briefly:**

No planned changes.

### Document changes:

**Date:**

**Change:**

**Rev.**

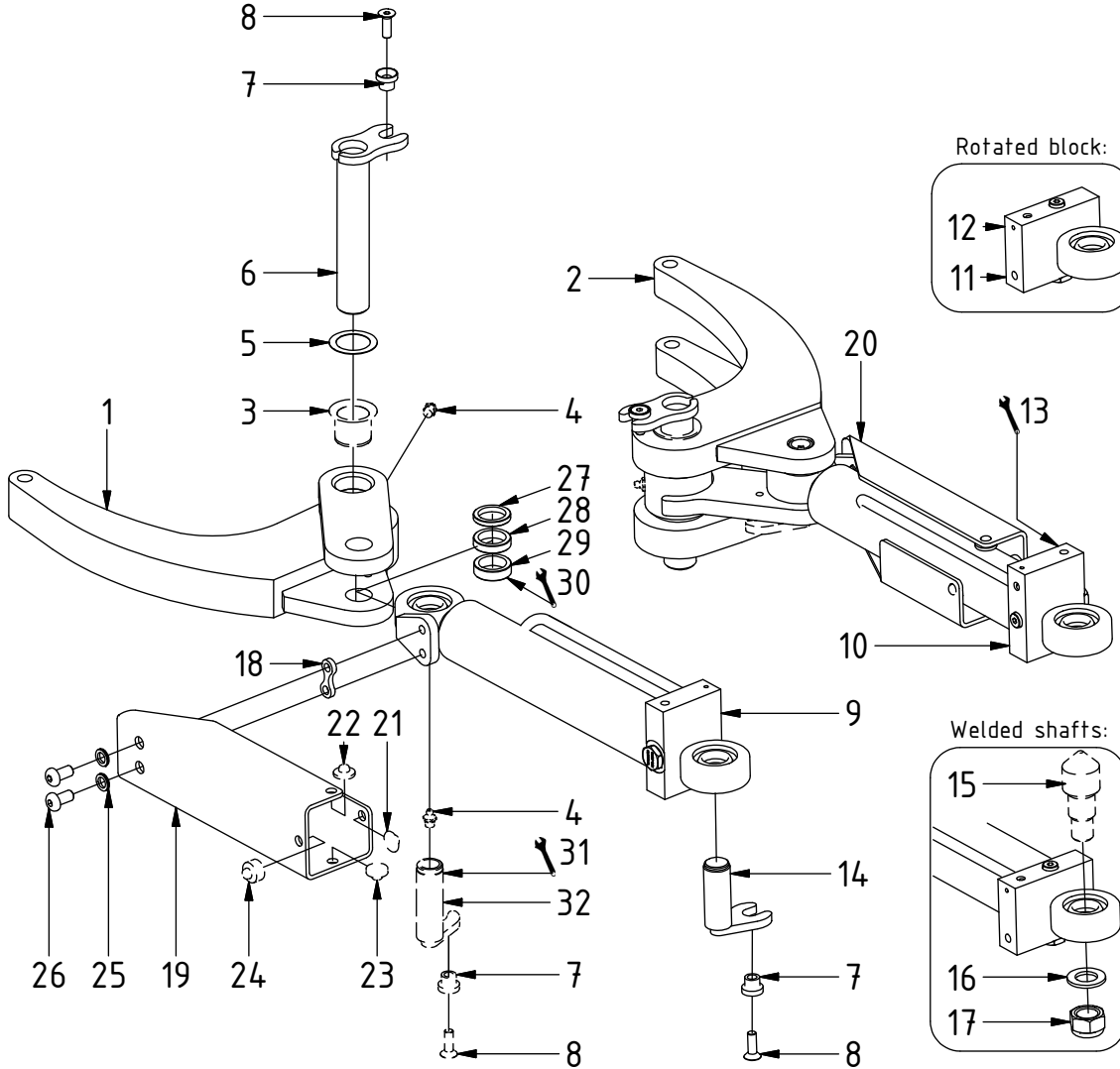
**after change:**

2019-04-18

Coversheet added.

M

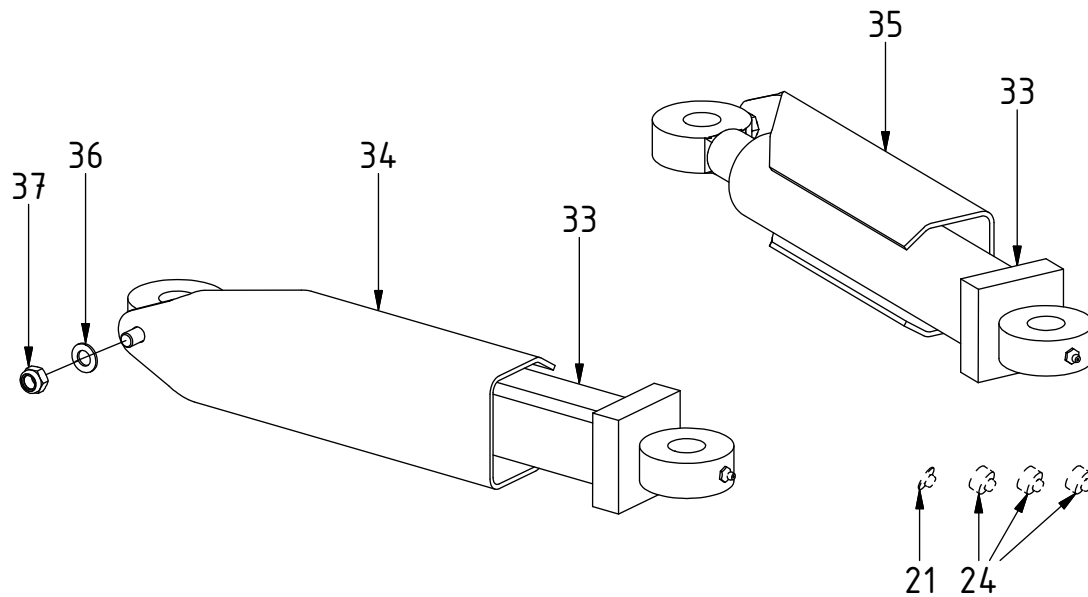
# Grab adapter GR10



POS	DESCRIPTION	PART	QTY	COMMENTS
1	Grab arm (single) Complete	200422K	1	(POS.3-4 included)
2	Grab arm (double) Complete	200423K	1	(POS.3-4 included)
3	Bushing 30/34/45x30	630401	4	
4	Grease Nipple	711403	4	
5	Shim Ø45/32 t0,5	650525	2	
6	Axle grab arm	400521	2	
7	Spacer countersink	400659	6	
8	Flat head socket screw 8x25	610608	6	Loctite 2700
9	Grab Cylinder 10 Complete L	301898K	1	See "Grab cylinders"
10	Grab Cylinder 10 Complete R	301470K	1	See "Grab cylinders"
11	Grab Cylinder 10 rotated block L	302427K	1	See "Grab cylinders"
12	Grab Cylinder 10 rotated block R	302428K	1	See "Grab cylinders"
13	Adapters according to Quick hitch			See "Quick hitch"
14	Axle grab cyl. (against quick hitch)	402541	2	
15	Axle grab cyl. (against quick hitch) for welded shafts	400191	2	
16	Flat Washer	611010	2	
17	Hex. Nut M20 Nylon Lock	610928	2	
18	Grab cover washer	402628	2	
19	Grab cover 10 Complete L	1022975K	1	(POS.21-24 included)
20	Grab cover 10 Complete R	1022974K	1	(POS.21-24 included)
21	Plastic spacer 1,2mm	400635	2	
22	Plastic spacer 3mm	402215	2	
23	Plastic spacer 5mm	400636	2	
24	Plastic spacer 10mm	400637	2	
25	Washer NL10	611041	4	
26	Screw K6S M10x20 10.9	611812	4	
27	Spacer 5mm Grab arm	402615	1	Used if required
28	Spacer 8mm Grab arm	402170	1	Used if required
29	Spacer 10mm Grab arm	402171	1	Used if required
30	Spacers as tight as possible. Use the widest spacer underneath the cylinder ear			
31	Mount during quick hitch assembly		1	
32	Axle grab cyl. (against grab arm)	400461	2	(POS.4 included)

# Grab adapter GR10

Related spare parts:



QTY per cover: 1 3

POS	DESCRIPTION	PART	QTY	COMMENTS
9	Grab Cylinder 10 Complete L	301898K	1	See "Grab cylinders"
10	Grab Cylinder 10 Complete R	301470K	1	See "Grab cylinders"
11	Grab Cylinder 10 rotated block L	302427K	1	See "Grab cylinders"
12	Grab Cylinder 10 rotated block R	302428K	1	See "Grab cylinders"
19	Grab cover 10 Complete L	1022975K	1	(POS.21-24 included)
20	Grab cover 10 Complete R	1022974K	1	(POS.21-24 included)
21	Plastic spacer 1,2mm	400635	2	
24	Plastic spacer 10mm	400637	2	
33	Grab cylinder 10 Complete	300733K	2	Replaced by POS.9-10 from 2002-12
34	Grab cover 10 Complete (1 hole) L	300736K	1	Used with POS.33 (POS.21, 24 included)
35	Grab cover 10 Complete (1 hole) R	300737K	1	Used with POS.33 (POS.21, 24 included)
36	Washer BRB FZB	611007	2	
37	Nut M6M M12 cover	610924	2	

POS in order of assembly