

COVERSHEET

Planned document changes:

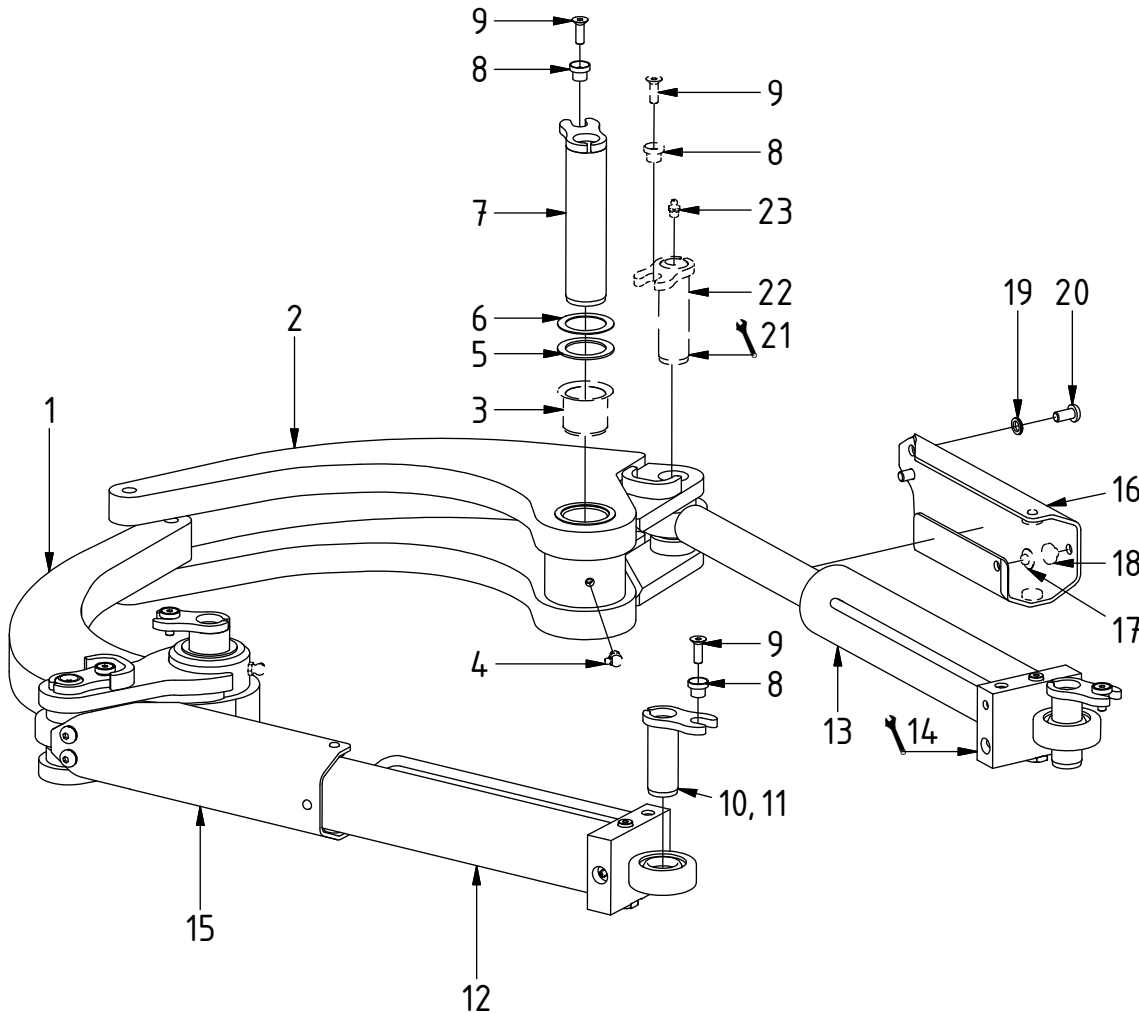
Briefly:

No planned changes.

Document changes:

| <u>Date:</u> | <u>Change:</u> | <u>Rev. after change:</u> |
|--------------|---|-------------------------------|
| 2019-04-18 | Spare parts page updated. Coversheet added. | N |

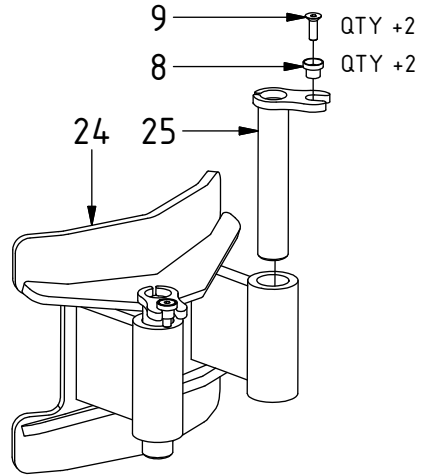
Grab adapter GR20



| POS | DESCRIPTION | PART | QTY | COMMENTS |
|-----|--------------------------------------|----------|-----|----------------------|
| 1 | Grab arm (single) Complete | 200162K | 1 | (POS.3-4 included) |
| 2 | Grab arm (double) Complete | 200161K | 1 | (POS.3-4 included) |
| 3 | Bushing 40/44/55x40 | 630404 | 4 | |
| 4 | Grease Nipple 90 | 711409 | 2 | |
| 5 | Shims GR20 2mm | 1018494 | 1 | Used if required |
| 6 | Shims GR20 1mm | 1018493 | 1 | Used if required |
| 7 | Axle grab arm | 400520 | 2 | |
| 8 | Spacer countersink | 400659 | 6 | |
| 9 | Flat head socket screw 8x25 | 610608 | 6 | Loctite 2700 |
| 10 | Axle grab cyl. (against quick hitch) | 400522 | 2 | |
| 11 | Axle grab cyl. (against quick hitch) | 401157 | 2 | For S45, S50, S60 |
| 12 | Grab Cylinder 20 Complete L | 301931K | 1 | See "Grab cylinders" |
| 13 | Grab Cylinder 20 Complete R | 301469K | 1 | See "Grab cylinders" |
| 14 | Adapters according to Quick hitch | | | See "Quick hitch" |
| 15 | Grab Cover 20 L | 1008181K | 1 | (POS.17-18 included) |
| 16 | Grab Cover 20 R | 1008190K | 1 | (POS.17-18 included) |
| 17 | Plastic spacer 1,2mm | 400635 | 2 | |
| 18 | Plastic spacer 5mm | 400636 | 6 | |
| 19 | Washer NL10 | 611041 | 4 | |
| 20 | Screw K6S M10x20 10.9 | 611812 | 4 | |
| 21 | Mount during quick hitch assembly | | | |
| 22 | Axle grab cyl. (against grab arm) | 400524 | 2 | (POS.23 included) |
| 23 | Grease Nipple | 711403 | 2 | |

Grab adapter GR20

Related spare parts:



| POS | DESCRIPTION | PART | QTY | COMMENTS |
|-----|---------------------------------|----------|-----|---|
| 8 | Spacer countersink | 400659 | 6 | |
| 9 | Flat head socket screw 8x25 | 610608 | 6 | Loctite 2700 |
| 12 | Grab Cylinder 20 Complete L | 301931K | 1 | See "Grab cylinders" |
| 13 | Grab Cylinder 20 Complete R | 301469K | 1 | See "Grab cylinders" |
| 15 | Grab Cover 20 L | 1008181K | 1 | (POS.17-18 included) |
| 16 | Grab Cover 20 R | 1008190K | 1 | (POS.17-18 included) |
| 17 | Plastic spacer 1,2mm | 400635 | 2 | |
| 24 | Grab support GR20 | 300693 | 1 | For hitches with bolted support |
| 25 | Axle grab support GR20 | 400521 | 2 | For hitches with bolted support |
| 26 | Grab Cylinder 20 Complete | 300734K | 2 | Replaced by POS.12-13 from 2003-01 |
| 27 | Grab Cover 20 Complete (1 hole) | 300698K | 2 | Used with POS.26 (POS.17, 28 included) |
| 28 | Plastic spacer 10mm | 400637 | 1 | |
| 29 | Washer BRB FZB | 611007 | 2 | |
| 30 | Nut M6M M12 cover | 610924 | 2 | |

POS in order of assembly

