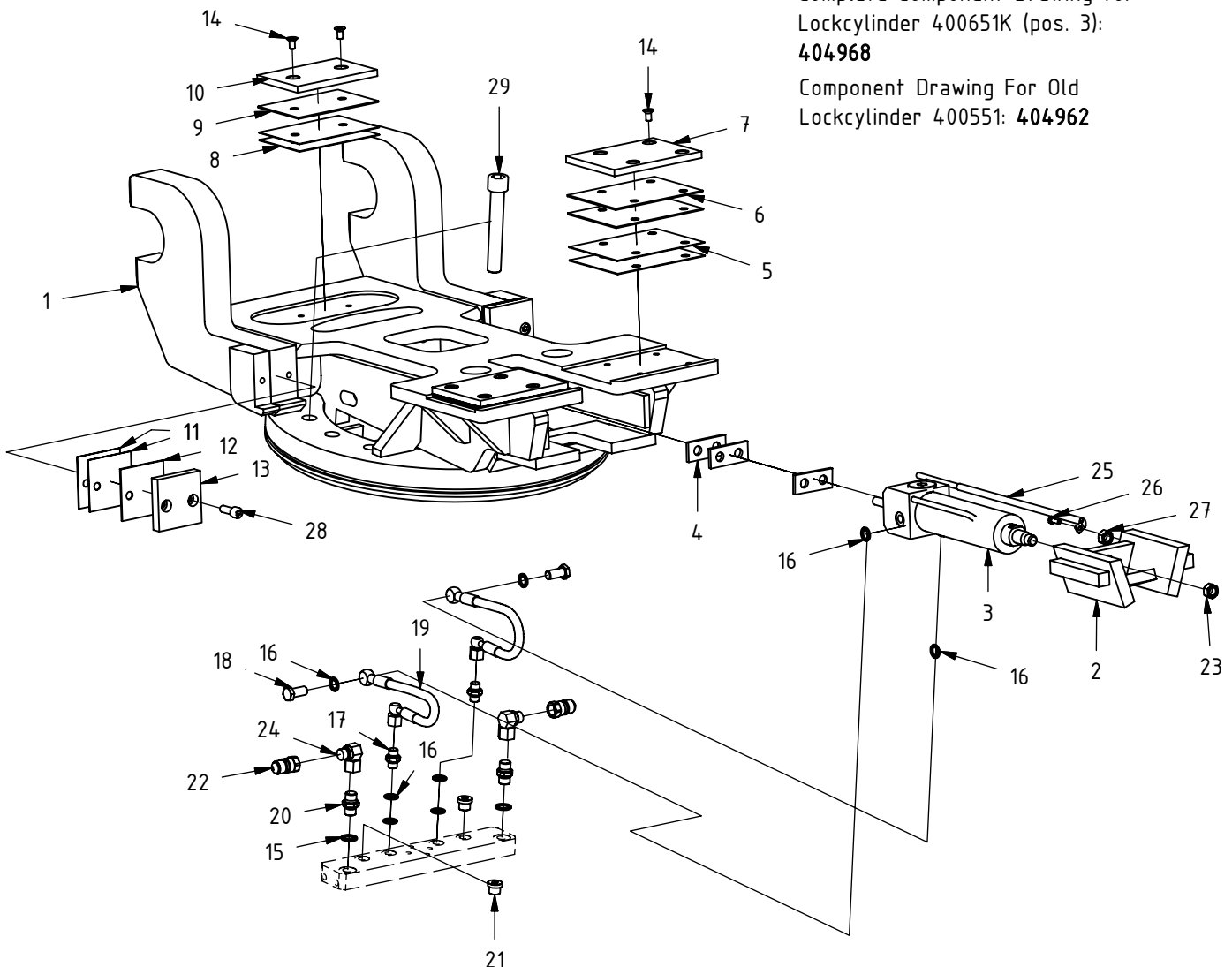


EC30KM2 Components

Published: 2005-11-29

Drawing No: 403966/D

| POS | DESCRIPTION | PART | QTY | COMMENTS |
|-----|------------------------------|---------|-----|----------------------------------|
| 1 | Quick Attachment KM2 | 100924 | 1 | |
| 2 | Locking wedge | 301542 | 1 | |
| 3 | Lockcylinder 20,30 | 400651K | 1 | Changed from lockcylinder 400551 |
| 4 | Skottadapter bracket | 400155 | 3 | |
| 5 | Shims large 1mm | 400530 | 4 | |
| 6 | Shims large 2mm | 400531 | 4 | |
| 7 | Shims large | 400512 | 2 | |
| 8 | Shims small 1mm | 400532 | 2 | |
| 9 | Shims small 2mm | 400533 | 1 | |
| 10 | Shims small | 400513 | 1 | |
| 11 | Shims Hook KM2 | 401988 | 4 | |
| 12 | Shims 2mm Hook KM2 | 401989 | 2 | |
| 13 | Shims Hook KM2 | 401987 | 2 | |
| 14 | Flat head socket screw 10x30 | 610635 | 10 | 10.9 Untreated DIN 7991 |
| 15 | Tredowasher | 710703 | 2 | GBR-06 |
| 16 | Tredowasher | 710702 | 8 | GBR-04 |
| 17 | Adapter | 710104 | 2 | 132-04-04 |
| 18 | Banjobolt | 710271 | 2 | 4.916-04 |
| 19 | Hydraulic Hose | 740205 | 2 | |
| 20 | Adapter | 710106 | 2 | 132-06-06 |
| 21 | Plug | 711502 | 2 | VSTIR14ED |
| 22 | Quick coupler | 790113 | 2 | 3820 Cejn 10 525 6204 |
| 23 | Hex. Nut M16 | 610909 | 1 | ISO 4032 |
| 24 | Adapter 704-06 | 710216 | 2 | |
| 25 | Indicating Stick | 400910 | 1 | |
| 26 | Hex Head Screw 6 x 16 | 610109 | 1 | 8.8 Zinc plated ISO 4017 |
| 27 | Hex. Nut M6 Nylon Lock | 610921 | 1 | DIN 985 |
| 28 | Socket Head Screw 10 x 30 | 610452 | 4 | 12.9 Untreated ISO 4762 |
| 29 | Socket Head Screw 20 x 130 | 610560 | 12 | 12.9 Untreated ISO 4762 |



Complete Component Drawing for
Lockcylinder 400651K (pos. 3):
404968

Component Drawing For Old
Lockcylinder 400551: **404962**