

## COVERSHEET

### Planned document changes:


**Briefly:**

2024-11-27. POS.21 updated to 7001807. POS.22 updated to 7001647. (POS.20 remains).

### Document changes:

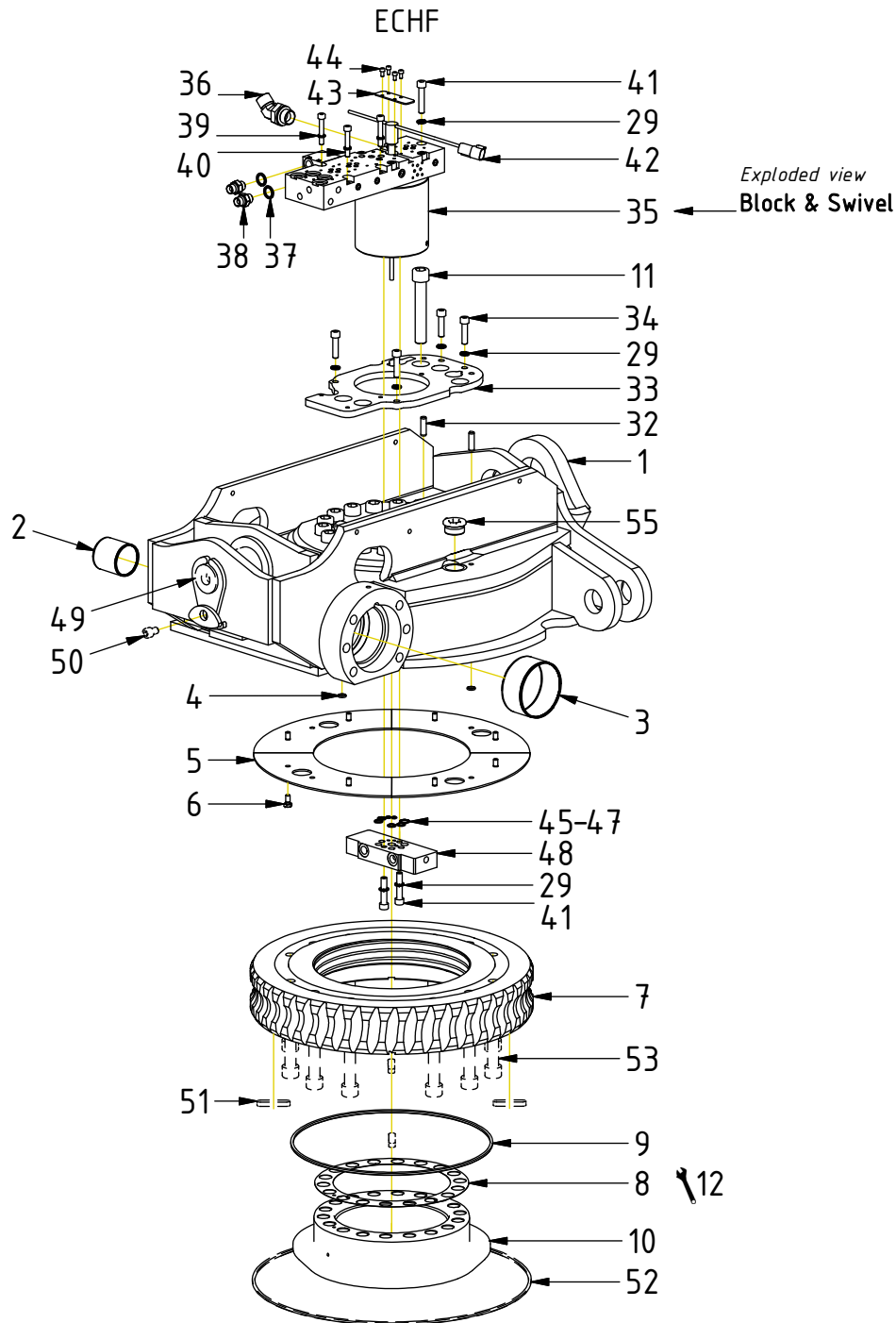
Date:	Change:	Rev. after change:
2024-04-23	Spare parts page added.	T
2020-04-29	Coversheet added.	S

*Readers note:*

 Indicates instruction.

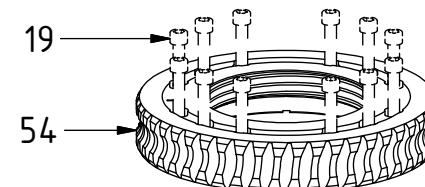
 Represents Hose.

Dashed lines for overview, mounts  
on other pages/assemblies.



POS	DESCRIPTION	PART	QTY	COMMENTS
1	Rotator frame 30 for valve plate	1035753	1	
2	Bushing WB802 55/60x60	630303	1	
3	Bushing WB802 100/105x50	630304	1	
4	O-ring 10,77x2,62	710910	2	
5	Wear washer segment	400390	4	
6	Screw M6S M8x16 8,8 FZB	610122	8	Loxeal
7	Worm wheel EC30	200112	1	
8	Shim kit centre ring EC30	1010173	1	
9	O-ring 359,3x5,7	710924	1	
10	Centre Ring EC30	302842	1	
11	Screw MC6S M20x120 12.9	610558	18	Torque: 649Nm Tighten in cross pattern
12	Break play: up to 0,20mm			
19	Screw MC6S M20x100 12.9 ZFSLH	6000161	18	QTY: 12 part of quick hitch Torque: 649Nm
29	Washer NL 10mm	611041	11	
32	Cylindrical pin CPK Ø10x35 m6	1015672	2	
33	Valve plate ECHF EC30	1034258	1	
34	Screw MC6S M10x40 12.9 ZFSLH	612020	7	
35	Adapter bl. & Swivl for slipring Compl.	1027386	1	
36	Adapter 45° 4.02-12-12(3/4")	712220	1	
37	Washer GBR06 3/8	710703	2	
38	Adapter 136-06-06 (3/8")	710106	2	
39	Washer NL 8mm	611040	3	QTY: 2 for 6-ch
40	Screw MC6S M8x50 12.9	610439	3	QTY: 2 for 6-ch
41	Screw MC6S M10x50 12.9 ZFSLH	611515	3	QTY: 2 for 6-ch
42	Kit slip ring ECHF DTM	1030298	1	For QS. See "Slip rings"
43	Cover plate Slip ring	1026200	1	
44	Screw MC6S M5x10 12.9	610594	4	
45	O-ring 6,07x1,78	712422	2	
46	O-ring 15,6x1,78	710912	1	
47	O-ring 12,42x1,78	710973	4	
48	Connection block ECHF	1028391	1	Guide with spring pin from swivel
49	Tilt axle EC30 (lube. at both ends)	303134	2	Part of top part
50	Screw MC6S M12x16 12.9 ZFSLH	610470	2	Part of top part. Loxeal
51	Feather Key	650103	4	Part of quick hitch
52	O-ring 479,3x5,7	7000310	1	Part of quick hitch
53	Screws depends on quick hitch		12	See "Quick hitch"
54	Worm wheel EC30 reversed	200245	1	
55	Pipe plug M36x2	650408	2	

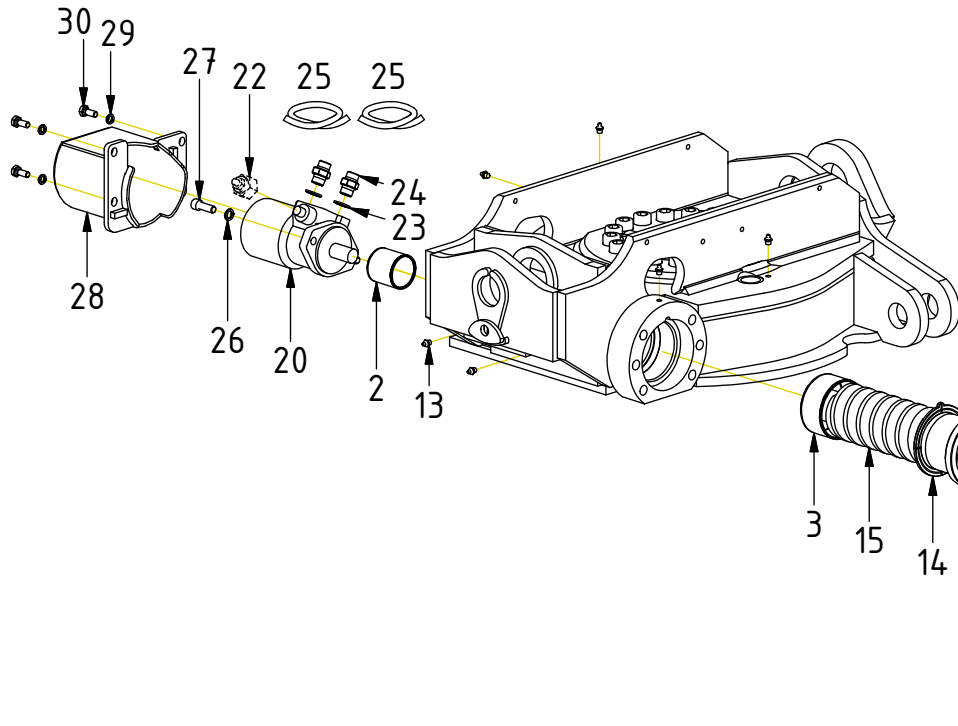
REVERSED:



POS in order of assembly

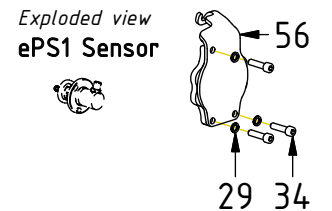
# EC30 - Rotator frame

POS in order of assembly



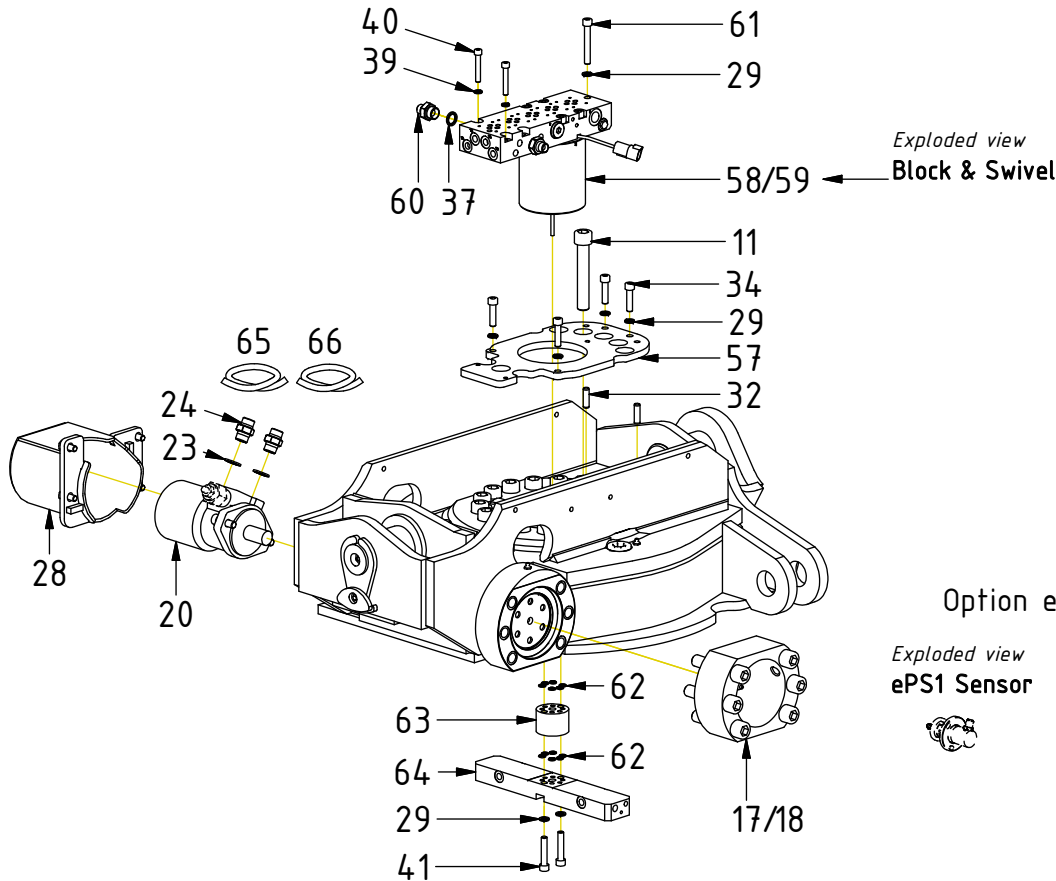
POS	DESCRIPTION	PART	QTY	COMMENTS
2	Bushing WB802 55/60x60	630303	1	
3	Bushing WB802 100/105x50	630304	1	
13	Grease Nipple	711403	7	
14	Axial washer with ear EC30	1014061	2	Face groove toward worm screw
15	Worm Screw	300243	1	
16	Shim kit End lock EC30	1074090	1	
17	End Lock EC30	303271	1	
18	End Lock EC30 ePS	1029629	1	
19	Screw MC6S M20x100 12.9 ZFSL	6000161	18	QTY: 12 part of quick hitch Torque: 649Nm
20	Hyd. motor Complete w. relief valve	1022288	1	(POS.21-22 incl.)
21	Hydraulic motor White 200cc	720124	1	
22	Relief valve White 200cc	1044091	1	Assy. before motor
23	Washer GBR08 1/2	710704	2	
24	Adapter 136-08-08 (1/2")	710108	2	
25	Hose hydraulic motor ECHF	7000160	2	
26	Washer NL 12mm	611042	2	
27	Screw MC6S M12x35 12.9 ZFSL	6000150	2	
28	Motor cover EC30	1004478	1	
29	Washer NL 10mm	611041	11	
30	Screw M6S M10x25 8,8 FZB	610142	4	
31	Rotation play: up to 0,20mm			
34	Screw MC6S M10x40 12.9 ZFSL	612020	7	
56	Protection ePS EC30	1029734	1	

Option ePS:



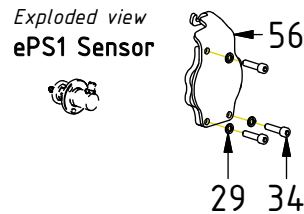
## SPARE PARTS

EC30 6-ch



POS	DESCRIPTION	PART	QTY	COMMENTS
11	Screw MC6S M20x120 12.9	610558	18	Torque: 649Nm Tighten in cross pattern
17	End Lock EC30	303271	1	
18	End Lock EC30 ePS	1029629	1	
20	Hyd. motor Complete w. relief valve	1022288	1	(POS.21-22 incl.)
21	Hydraulic motor White 200cc	720124	1	
22	Relief valve White 200cc	1044091	1	Assy. before motor
23	Washer GBR08 1/2	710704	2	
24	Adapter 136-08-08 (1/2")	710108	2	
28	Motor cover EC30	1004478	1	
29	Washer NL 10mm	611041	11	
32	Cylindrical pin CPK Ø10x35 m6	1015672	2	
34	Screw MC6S M10x40 12.9 ZFSL	612020	7	
37	Washer GBR06 3/8	710703	2	
39	Washer NL 8mm	611040	3	QTY: 2 for 6-ch
40	Screw MC6S M8x50 12.9	610439	3	QTY: 2 for 6-ch
41	Screw MC6S M10x50 12.9 ZFSL	611515	3	QTY: 2 for 6-ch
56	Protection ePS EC30	1029734	1	
57	Valve plate 6-ch EC30	1034488	1	
58	Valve bl. & Swiv. w slipring Compl.	1030297	1	
59	Valve bl. & Swiv. w/o slipring Compl	1023911	1	
60	Adapter 135-06-08	710122	2	
61	Screw MC6S M10x70 12.9	610461	1	
62	O-ring 9,25x1,78	710901	12	
63	Svivel extension 6-ch.	1025487	1	
64	Connection block 6-ch EC30	1025491	1	
65	Hose hydraulic motor Long 6-ch	740308	1	
66	Hose hydraulic motor Short 6-ch	740309	1	

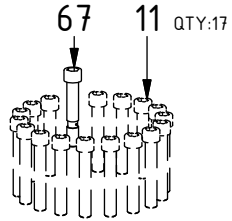
Option ePS:



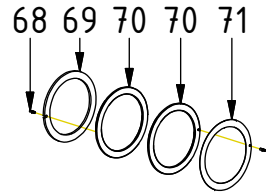
## SPARE PARTS

POS	DESCRIPTION	PART	QTY	COMMENTS
1	Rotator frame 30 for valve plate	1035753	1	
10	Centre Ring EC30	302842	1	
11	Screw MC6S M20x120 12.9	610558	18	Torque: 649Nm Tighten in cross pattern
17	End Lock EC30	303271	1	
28	Motor cover EC30	1004478	1	
67	Lubrication screw EC30	402185	1	Used until 2009-05
68	Cylindrical pin CPK Ø3x12 m6	650201	2	Used until 2013-03
69	Supportring	650302	1	Used until 2013-03
70	Axial washer EC30	400248	2	Used until 2013-03
71	Shim kit worm screw EC30	1031211	1	Used until 2013-03
72	Motor cover EC20 (& old EC30)	100010	1	Replaced by POS.28 from 2008-05
73	Washer BRB 10,5x22x2 200 HV FZB	611006	4	
74	Screw M6S M10x20 8,8 FZB	610141	4	
75	MACS Magnet 8x5x3	6000047	1	Loctite 415. Harden 1 minute
76	MACS End lock EC30	1033696	1	
77	MACS Socket Head Screw 20x90	610556	6	
78	MACS Inductive sensor M8 PNP	1043698	1	Distance 1mm. Nut torque: 3Nm
79	MACS Pipe Plug M36/M8	650411	1	

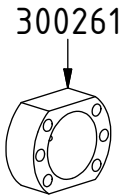
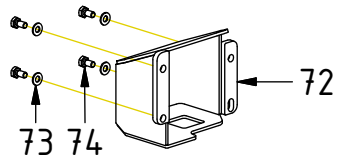
Used until 2009-05:



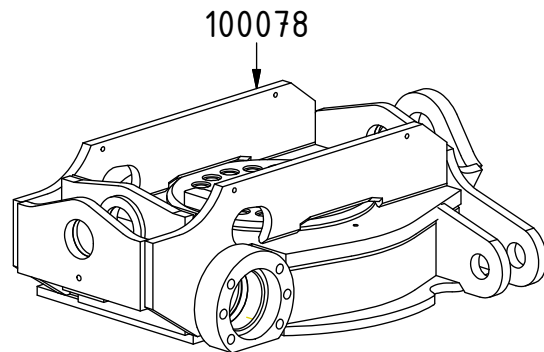
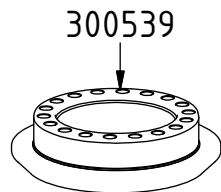
Used until 2013-03:



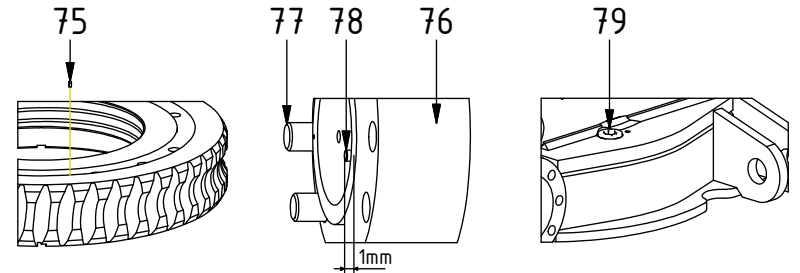
Used until 2008-05:



Replaced from 2005-01:



MACS:



POS in order of assembly