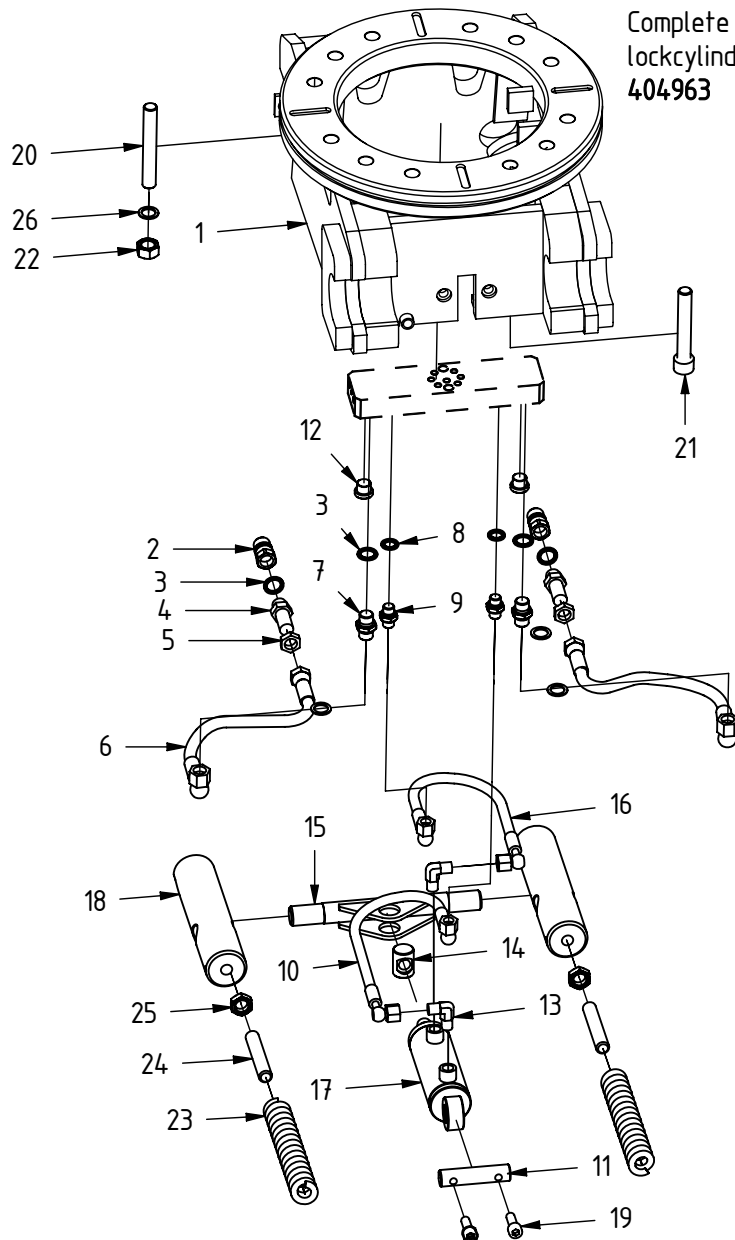


## 16 EC15 Components

Published: 2006-03-16		Drawing No: 403246/H		
POS	DESCRIPTION	PART	QTY	COMMENTS
1	Quick Attachment 16	100378	1	RF16
2	Quick coupler	790113	2	3820 Cejn 10 525 6204
3	Tredowasher	710703	4	GBR-06
4	Adapter	710242	2	1265-06-06
5	Nut	710252	2	1275-06
6	Hydraulic Hose	740612	2	
7	Adapter	710106	2	132-06-06
8	Tredowasher	710702	2	GBR-04
9	Adapter	710104	2	132-04-04
10	Hydraulic Hose	740105	1	
11	Lock Axle	402537	1	Lock axle 400629 replaced
12	Plug	711504	2	VSTIR38ED
13	90° Adapter	710177	2	537-04-04
14	Lockpin	400449	1	
15	Lock Axle	301005	1	
16	Hydraulic Hose	740104	1	
17	Lock cylinder 10	300732	1	
18	Locking Wedge Round 16	302331	2	
19	Socket Head Screw 10 x 30	610452	2	12.9 Untreated ISO 4762
20	Pin Bolt	611181	4	M16x100 Untreated
21	Socket Head Screw 16 x 100	610532	8	12.9 Untreated ISO 4762
22	Hex. Nut M16	611102	4	ISO 4032 Quality 12
23	Spring	640101	2	
24	Guide bolt	400674	2	
25	Flat Hex. Nut M16	610947	2	DIN 439B Låg
26	Steel washer	611032	4	17x24x1,5



Complete component drawing for lockcylinder 300732 (pos. 18):  
**404963**