

EC15 Main

Published: 2008-11-05

Drawing No: 403243/I

COVERSHEET

Discontinued model/configuration, exploded view will receive no updates.

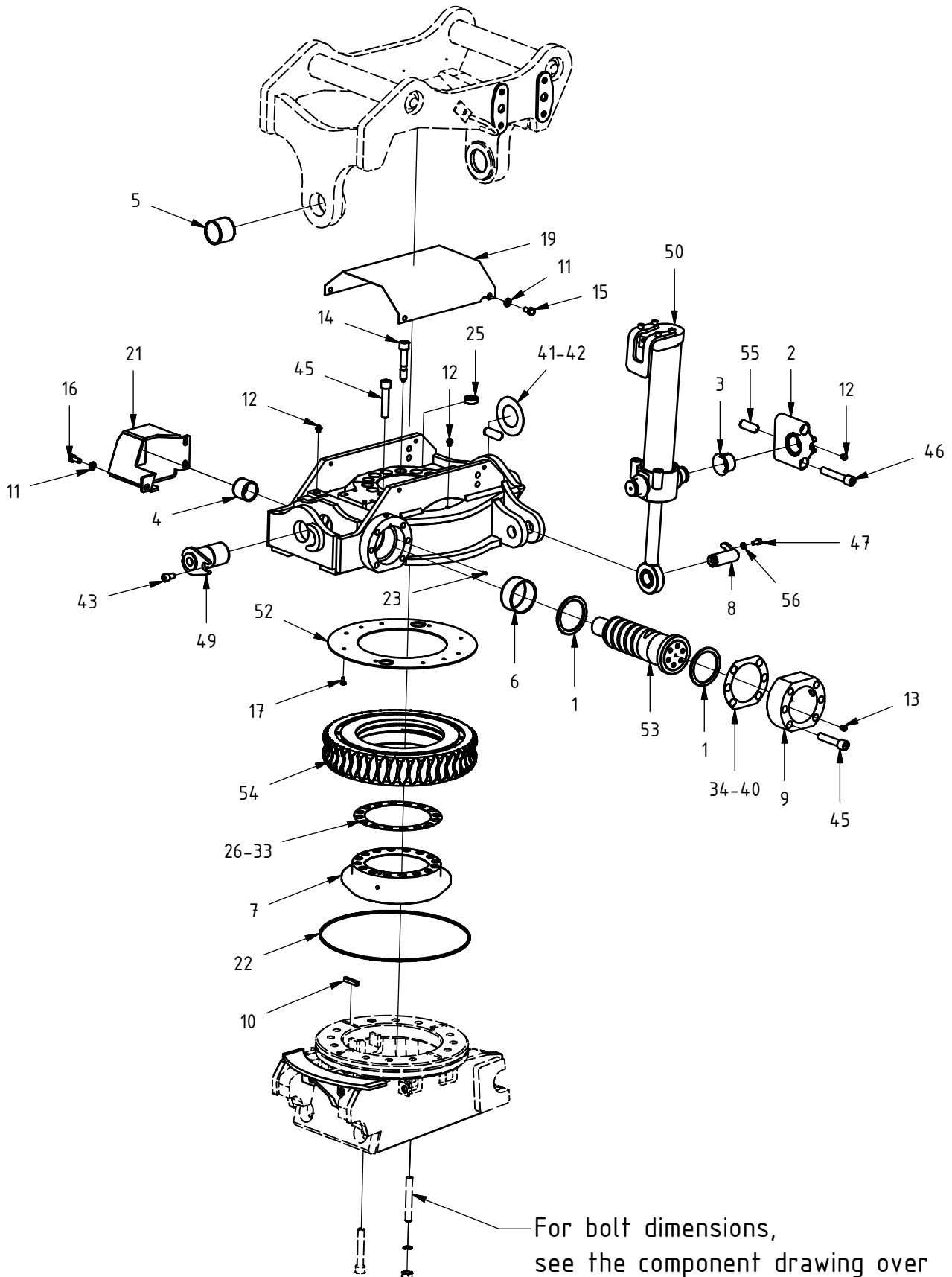
Notable regarding spare parts:

Lube free yoke 1017151 replaces POS.2, bushing 631001 included. Old yoke 300039K has 630402 & 711403 included.
Cylinder 400697 was used gⁱ f[^] \$["] *Z["] +. BAEZ["] has cast waist, 1022281 has overcenter included.

EC15 Main

Published: 2008-11-05

Drawing No: 403243/1



For bolt dimensions,
see the component drawing over
quick attachment.

EC15 Main

Published: 2008-11-05				Drawing No: 403243/I	
POS	DESCRIPTION	PART	QTY	COMMENTS	
1	Axial washer	400597	2		
2	Bracket Smst	1001146 K	4		
3	Bushing	630408	4		
4	Bushing 45/50x40	630101	1		
5	Bushing 55/60x50	630309	2		
6	Bushing 80/85x40	630103	1		
7	Centrerings 15	201827	1		
8	Cylinderaxle ø30	404276	2		
9	End Lock EC10,15,20	303270	1		
10	Feather Key	650102	4		
11	Flat Washer	611006	7		
12	Grease Nipple	711403	7		
13	Grease Nipple	711404	1		
14	Grease bolt	400701	1		
15	Hex Head Screw 10 x 20	610141	4		
16	Hex Head Screw 10 x 25	610142	3		
17	Hex Head Screw 6 x 12	610108	8		
18	Hex. Nut M16	611102	4		
19	Lid	300914	1		
20	Main Frame	100341	1		
21	Motor Protection	300917	1		
22	O-ring	710940	1		For Quick Coupler
23	Pin	650201	1		
24	Pin Bolt	611181	4		
25	Plug	650406	2		
26	Shims 0,4 mm	202052	1		
27	Shims 0,5 mm	202053	1		
28	Shims 0,6 mm	202626	1		
29	Shims 0,7 mm	201399	1		
30	Shims 0,8 mm	201401	1		
31	Shims 0,9 mm	201402	1		
32	Shims 1,0 mm	201364	1		
33	Shims 1,1 mm	201403	1		
34	Shims End Lock 0,3mm	1001639	1		
35	Shims End Lock 0,4mm	405126	1		
36	Shims End Lock 0,5mm	405127	1		
37	Shims End Lock 0,6mm	405675	1		
38	Shims End Lock 0,7mm	405676	1		
39	Shims End Lock 0,8mm	1001638	1		
40	Shims End Lock 0,9mm	1001712	1		
41	Shims Tilt 0,5mm	650505	2		
42	Shims Tilt 1,0 mm	650506	2		
43	Socket Head Screw 12 x 20	610472	2		
44	Socket Head Screw 16 x 100	610532	8		
45	Socket Head Screw 16 x 80	610528	21		
46	Socket Head Screw 16 x 95	610577	8		12.9 Untreated ISO 4762
47	Socket Head Screw 8 x 16	610432	2		
48	Steel washer	611032	4		
49	Tiltaxle EC15 ø55	302828	2		
50	Tiltcyl. EC15	1000312	2		
51	Top bracket S60 EC15	1001604	1		
52	Wear Washer 15	300775	1		
53	Worm Screw	200203	1		
54	Wormgear	100342	1		
55	CPK ø20x50	650211	4		
56	Washer Nordlock M8	611040	2		