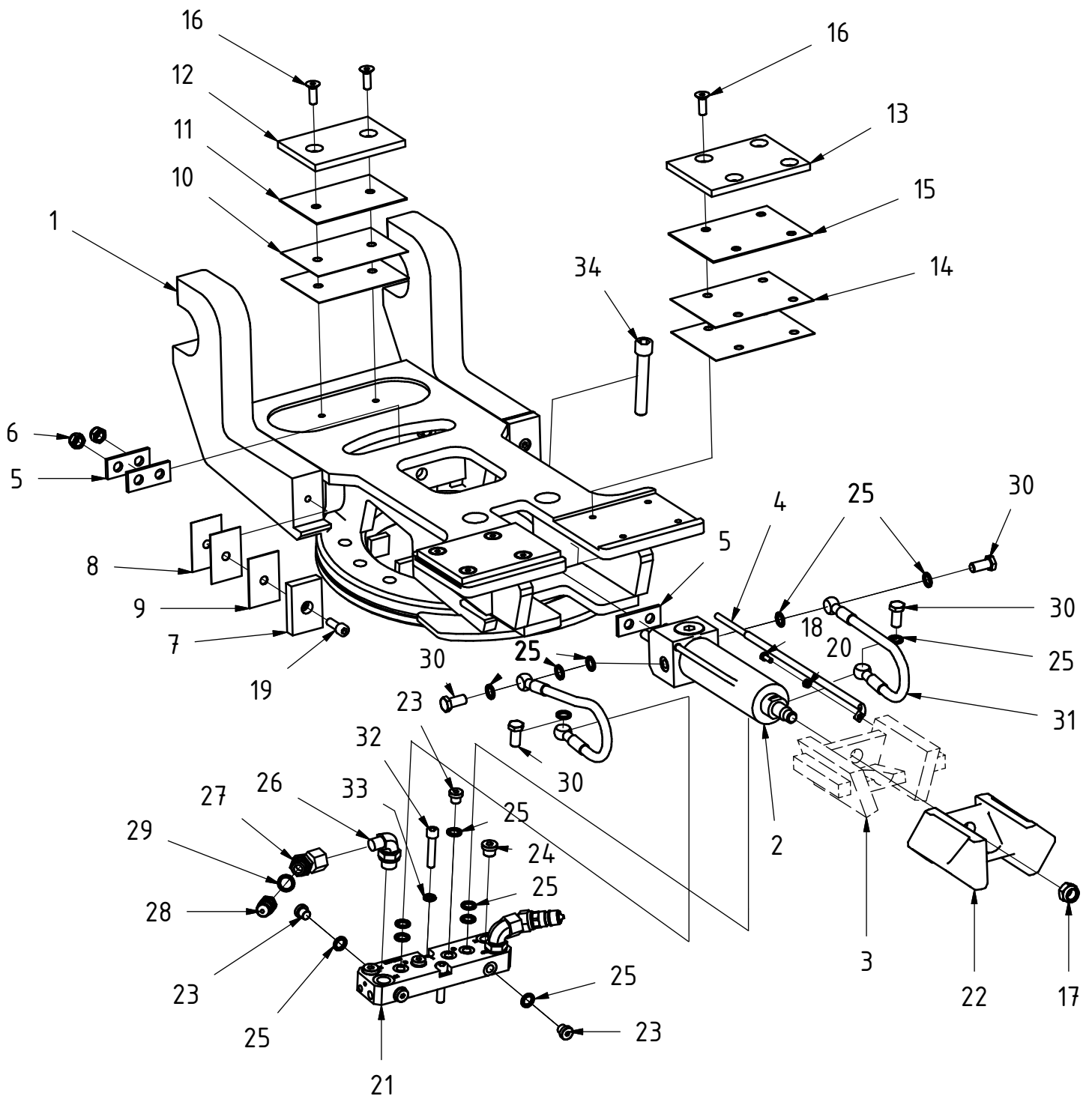


Components S1 EC15

Published: 2013-06-18

Drawing No: 200759/D

Complete component drawing for
lockcylinder 400651K (pos.2):
404998



Components S1 EC15

Published: 2013-06-18				Drawing No: 200759/D
POS	DESCRIPTION	PART	QTY	COMMENTS
1	Quick-coupler 20 EC15	100466	1	
2	Lockcylinder S1	400651K	1	
3	Locking wedge S1 welded	300686	1	Replaced by 1015047 from 130601
4	Indicating Stick	400910	1	
5	Bracket	400155	3	
6	Hex. Nut M12 Nylon Lock	610924	2	
7	Shims hook	400511	2	
8	Shims hook 1mm QC20	400528	4	
9	Shims hook 2mm QC20	400529	2	
10	Shims small 1mm	400532	2	
11	Shims small 2mm	400533	1	
12	Shims small	400513	1	
13	Shims large	400512	2	
14	Shims large 1mm	400530	4	
15	Shims large 2mm	400531	2	
16	Flat head socket screw 10x30	610635	10	
17	Hex. Nut M16 Nylon Lock	610926	1	
18	Hex Head Screw 6 x 16	610109	1	
19	Socket Head Screw 10 x 30	610452	2	
20	Hex. Nut M6 Nylon Lock	610921	1	
21	Connection block EC15	203432	1	
22	Locking wedge S1	1015047	1	
23	Plug 1/4"	711505	6	
24	Plug	711504	2	
25	Sealing washer 04 (1/4")	710702	17	
26	Adapter 90K	710157	2	4-01-06-08
27	Adapter	710211	2	
28	Quick coupler	790113	2	
29	Sealing washer 06 (3/8")	710703	2	
30	Banjo	710271	4	
31	Hydraulic Hose Locking	740235	2	
32	Socket Head Screw 10 x 50	610457	2	
33	Nordlock washer 10	611041	2	
34	Socket Head Screw 16 x 100	610532	12	