

COVERSHEET

Planned document changes:


Briefly:

No planned changes.

Document changes:

Date:	Change:	Rev. after change:
2025-02-21	New document.	-

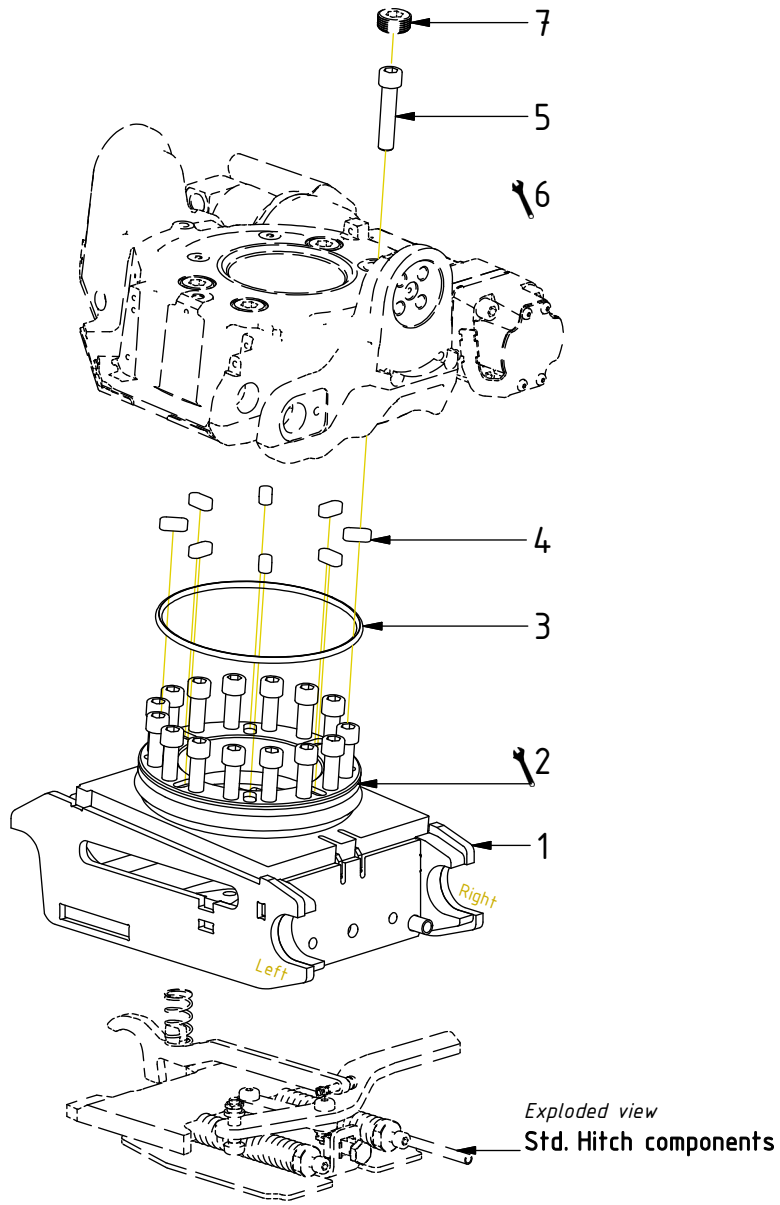
Readers note:

 Indicates instruction.

 Represents Hose.

Dashed lines for overview, mounts
on other pages/assemblies.

POS	DESCRIPTION	PART	QTY	COMMENTS
1	Quick hitch S40SEMI EC204BU	1080652	1	
2	Grease the ring			
3	O-ring 155x5,0	7001935	1	
4	Feather key 10x8x22	6000416	8	
5	Screw MC6S M12x55 12.9 ZFSL	6000155	16	Torque: 136Nm
6	Torque tighten rotator frame to hitch. Rotate to access all holes			
7	Pipe plug DIN 906 M22x1,5	7000457	4	Part of rotator frame assy.



POS in order of assembly