

COVERSHEET

Planned document changes:

Briefly:

2024-11-15. Add to POS.6: Torque: 79Nm.

Document changes:

Date:

Change:

Rev.

after change:

2024-10-25 New document.

-

Readers note:



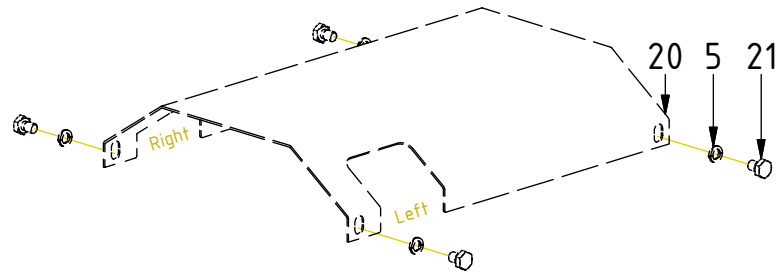
Indicates instruction.



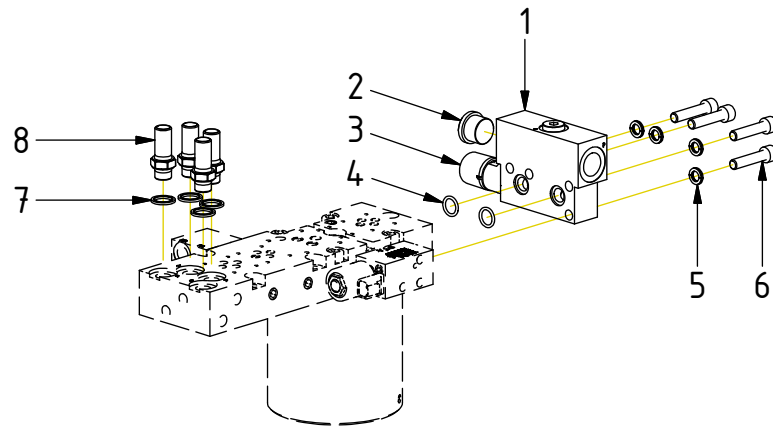
Represents Hose.

Dashed lines for overview, mounts
on other pages/assemblies.

POS	DESCRIPTION	PART	QTY	COMMENTS
1	Connection block P reducer Compl.	1026244	1	
2	Plug 3/4"	711532	1	
3	Pressure reduction valve VRN2-10	730326	1	
4	O-ring 15,54x2,62	712423	2	
5	Washer NL 10mm	611041	8	QTY: 4 part of make up
6	Screw MC6S M10x45 12.9	610589	4	
7	Washer GBR06 3/8	710703	4	
8	Adapter 1260-06-32 (3/8")	710242	4	
20	Cover ECHF EC30	1036021	1	Part of make up
21	Screw M6S M10x14 8,8	610194	4	Part of make up

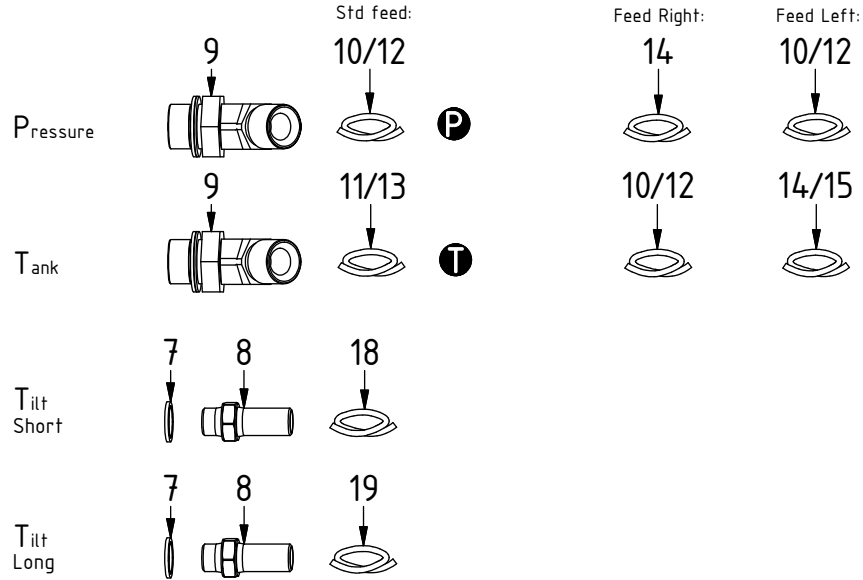


Exploded view
Valves & cables

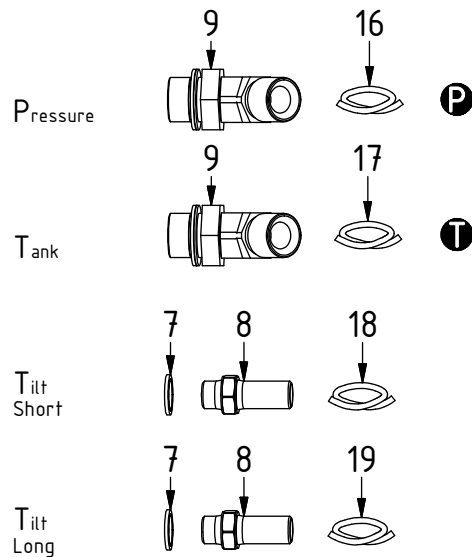


POS in order of assembly

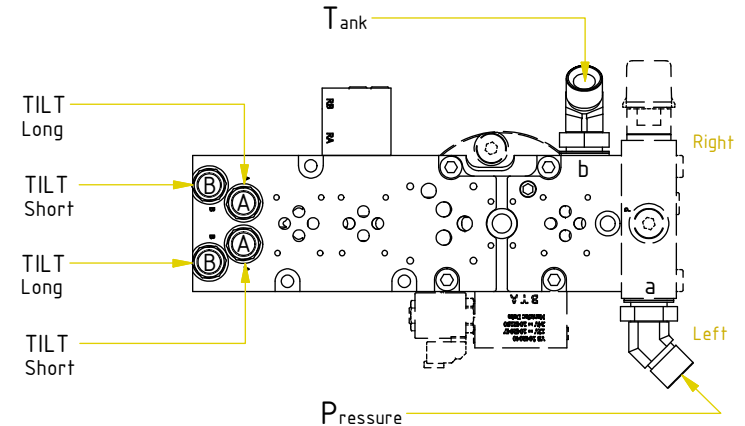
Hoses



EC-Oil:



POS	DESCRIPTION	PART	QTY	COMMENTS
7	Washer GBR06 3/8	710703	4	
8	Adapter 1260-06-32 (3/8")	710242	4	
9	Adapter 45° 402-12-12(3/4")	712220	2	
10	Hose Feed P - QS80, UNI	7000158	1	Used as "T" for Feed Right
11	Hose Feed T - QS80, UNI	7000526	1	
12	Hose Feed P - S1	7000497	1	Used as "T" for Feed Right
13	Hose Feed T - S1	7000571	1	
14	Hose Feed Right/Left - QS80	7000498	1	Feed Right: Use this for "P" Feed Left: Use this for "T"
15	Hose Feed Left - S1	7000535	1	
16	Hose Feed P EC-Oil	7000387	1	
17	Hose Feed T EC-Oil	7000388	1	
18	Hose Tilt Short	7000486	2	
19	Hose Tilt Long	7000452	2	



POS in order of assembly