

Planned document changes:

Briefly:

No planned changes.

Document changes:

Date:	Change:	Rev. after change:
2025-03-27	Layout/irrelevant.	A
2024-10-29	New document.	-

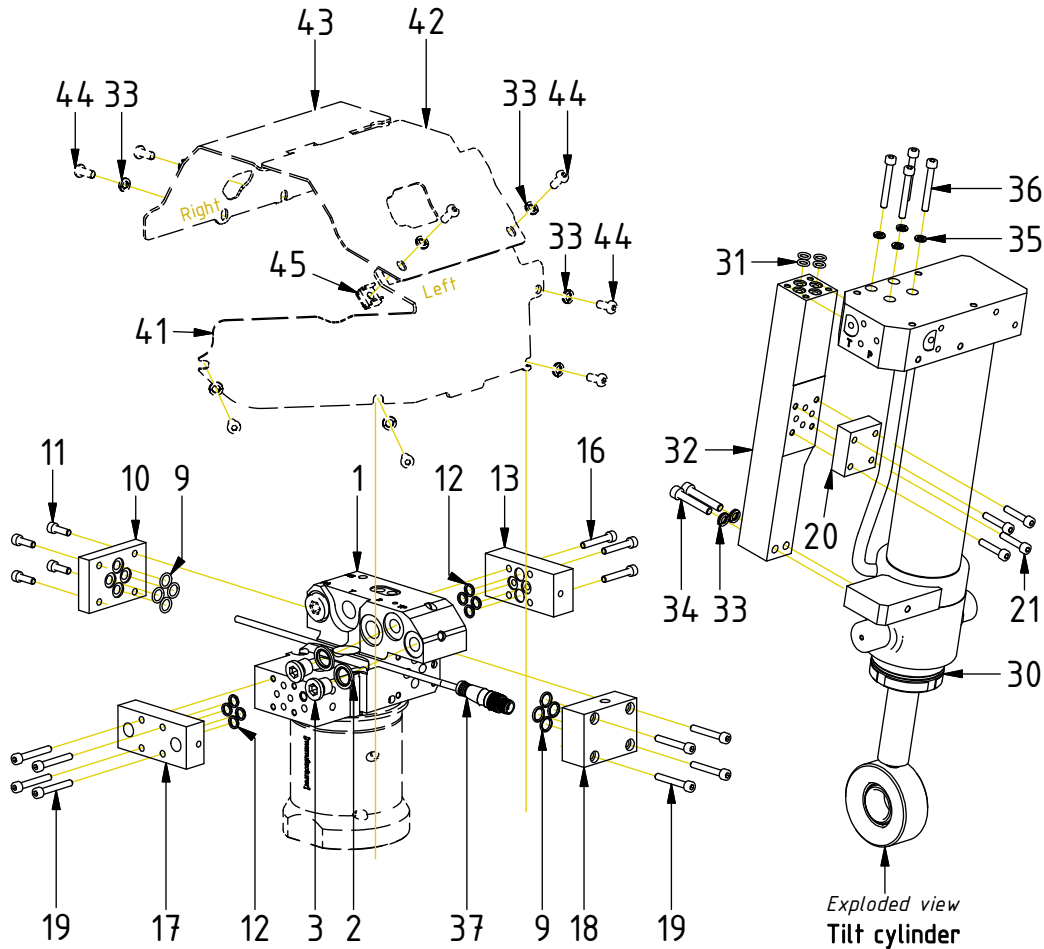
Readers note:

Indicates instruction.

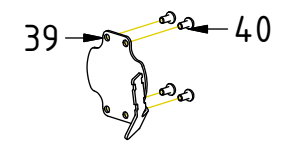
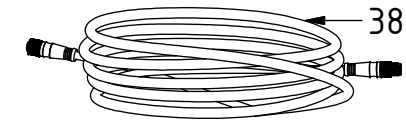


Represents Hose.

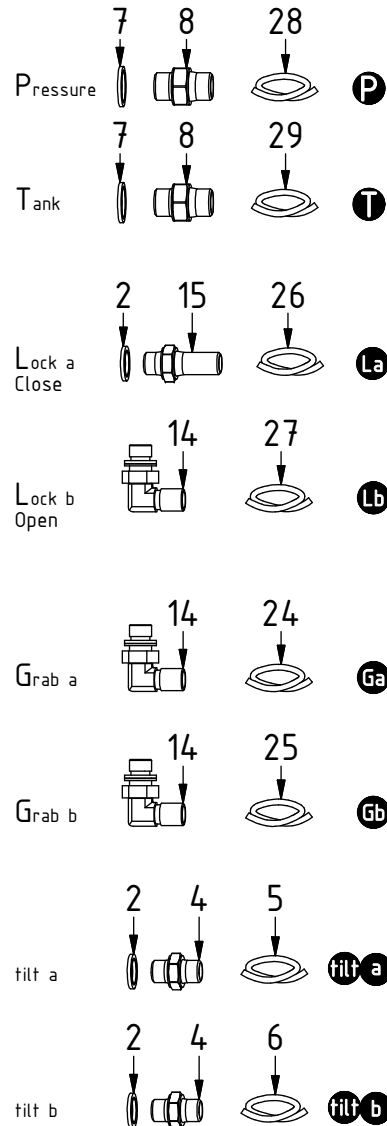
Dashed lines for overview, mounts
on other pages/assemblies.



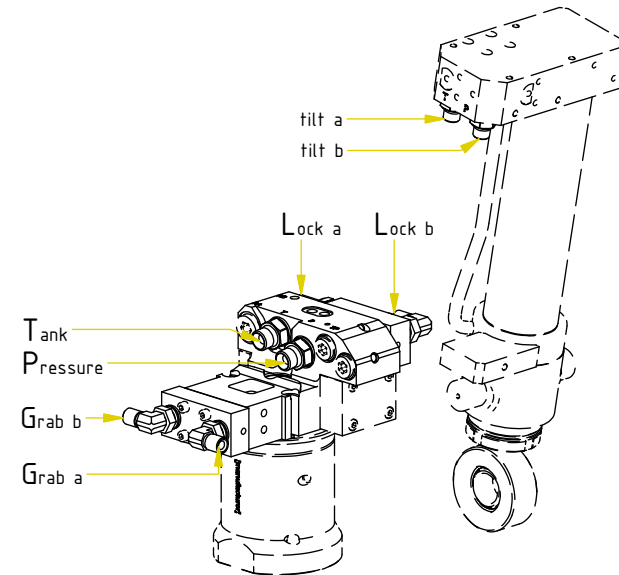
POS	DESCRIPTION	PART	QTY	COMMENTS
1	Valve block EC204B	1078622	1	Part of quick hitch
2	Washer GBR04 1/4	710702	5	
3	Plug 153-04 (1/4")	711505	2	
9	O-ring 9,25x1,78	710901	8	
10	Cover plate NG6	730320	1	
11	Screw MC6S M5x16 12.9	610401	4	
12	O-ring 7,65x1,78	710960	8	
13	Connection block	1036082	1	
16	Screw MC6S M5x30 12.9	610403	3	Torque: 9,7Nm
17	Connection block 2x1/4" NG4	1009586	1	
18	Block overflow NG6	1005844	1	
19	Screw MC6S M5x35 12.9	610404	8	Torque: 9,7Nm
20	Block overflow NG4	730151	1	
21	Screw MC6S M5x25 12.9	610402	4	
30	Tilt cylinder EC204B	1077744	1	Part of top part
31	O-ring 6,75x1,78	7001940	4	
32	Valve block tilt cylinder	1075504	1	
33	Washer NL 6mm	611039	10	QTY: 8 part of make up
34	Screw MC6S M6x35 12.9	610591	2	
35	Washer NL 5mm	611038	4	
36	Screw MC6S M5x40 12.9	610405	4	Torque: 9,7Nm
37	Q-Safe connector			
38	Cable QS QLM ss9-2 M12	8002249	1	
41	Protective cover EC204B Lower	1076425	1	Part of make up
42	Protective cover EC204B Left	1076007	1	Part of make up
43	Protective cover EC204B Right	1076360	1	Part of make up
44	Screw K6S M6x14 10.9 FZB	6000242	8	Part of make up
45	Cage nut M6	6000411	2	Part of make up



Hoses



POS	DESCRIPTION	PART	QTY	COMMENTS
2	Washer GBR04 1/4	710702	5	
4	Adapter 138-04-29 (1/4")	710135	2	
5	Hose Feed tilt a	7002031	1	
6	Hose Feed tilt b	7002032	1	
7	Washer GBR06 3/8	710703	2	
8	Adapter 136-06-06 (3/8")	710106	2	
14	Adapter 401-04-04 90° (1/4")	710151	3	
15	Adapter 1260-04-04 (1/4")	710240	1	
22	Hose Rotation a (ss9)	7002025	1	Part of quick hitch assy.
23	Hose Rotation b (ss9)	7002026	1	Part of quick hitch assy.
24	Hose feed Grab a	7002029	1	
25	Hose feed Grab b	7002030	1	
26	Hose feed Lock a	7002027	1	
27	Hose feed Lock b	7002028	1	
28	Hose Feed P	7001991	1	
29	Hose Feed T	7001992	1	



(FEED Rotation directly between motor & top part)

POS in order of assembly