

COVERSHEET

Planned document changes:


**Briefly:**

No planned changes.

Document changes:

Date:	Change:	Rev. after change:
2024-10-29	New document.	-

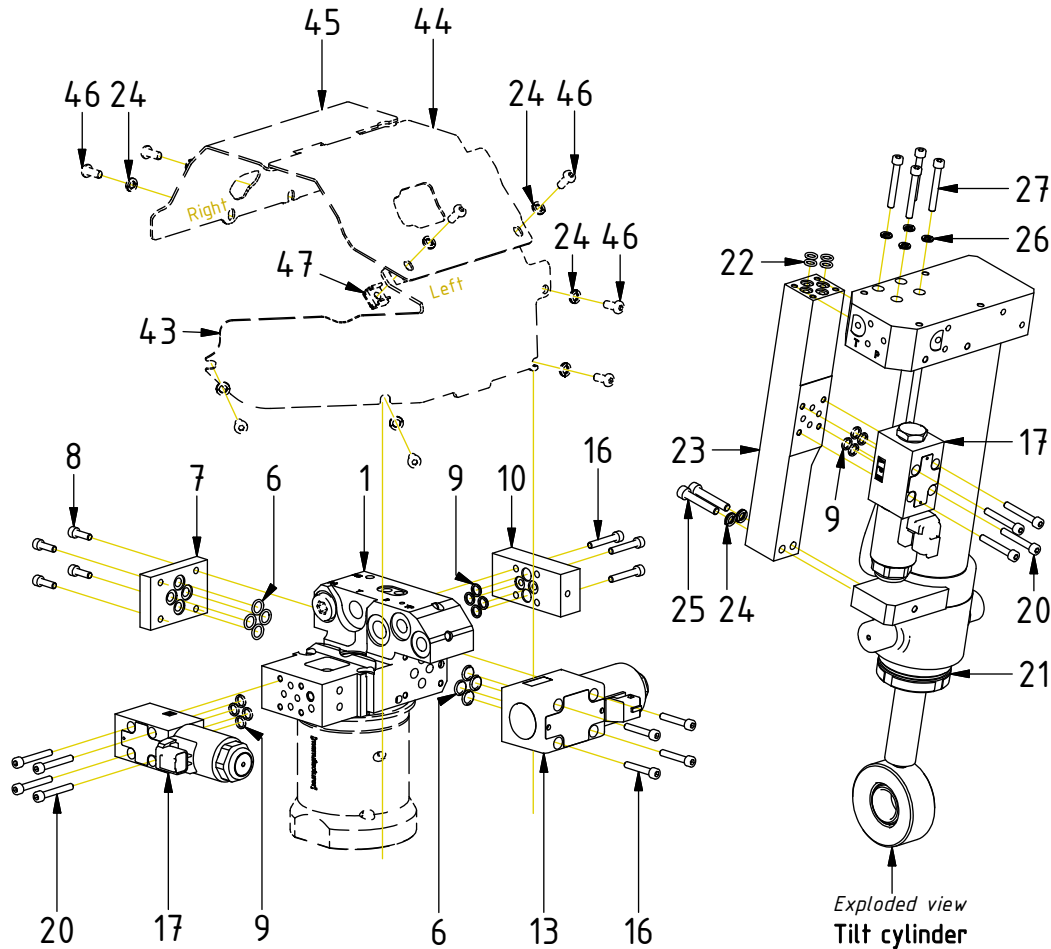
*Readers note:*

 Indicates instruction.

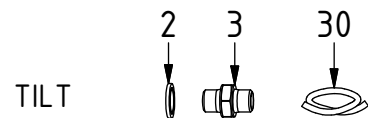
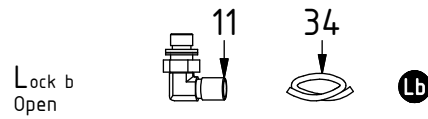
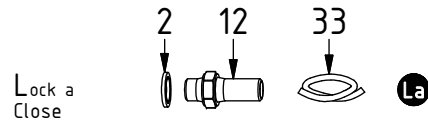
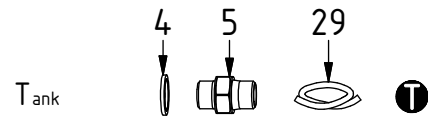
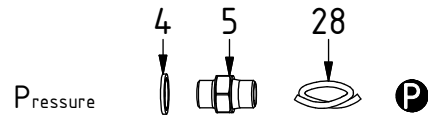
 Represents Hose.

Dashed lines for overview, mounts  
on other pages/assemblies.

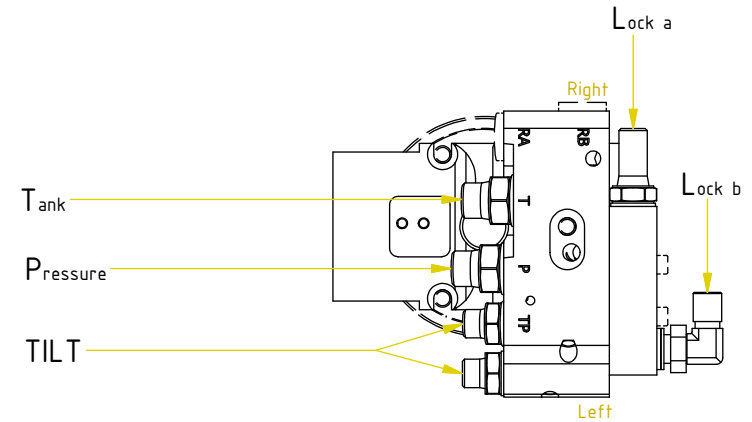
POS	DESCRIPTION	PART	QTY	COMMENTS
1	Valve block EC204B	1078622	1	Part of quick hitch
6	O-ring 9,25x1,78	710901	8	
7	Cover plate NG6	730320	1	
8	Screw MC6S M5x16 12.9	610401	4	
9	O-ring 7,65x1,78	710960	12	
10	Connection block	1036082	1	
13	Directional valve closed 24V	730112	1	(POS.9, 14, 15 incl.)
14	Coil 12V JT	730117	1	
15	Nut directional valve	730135	1	
16	Screw MC6S M5x30 12.9	610403	7	Torque: 9,7Nm
17	Directional valve closed NG4 12V DT	7000148	2	(POS.9, 18, 19 incl.)
18	Coil 12V NG4 On/Off DT	7000897	2	
19	Nut directional valve NG4	1006785	2	
20	Screw MC6S M5x35 12.9	610404	8	Torque: 9,7Nm
21	Tilt cylinder EC204B	1077744	1	Part of top part
22	O-ring 6,75x1,78	7001940	4	
23	Valve block tilt cylinder	1075504	1	
24	Washer NL 6mm	611039	10	QTY: 8 part of make up
25	Screw MC6S M6x35 12.9	610591	2	
26	Washer NL 5mm	611038	4	
27	Screw MC6S M5x40 12.9	610405	4	Torque: 9,7Nm
43	Protective cover EC204B Lower	1076425	1	Part of make up
44	Protective cover EC204B Left	1076007	1	Part of make up
45	Protective cover EC204B Right	1076360	1	Part of make up
46	Screw K6S M6x14 10.9 FZB	6000242	8	Part of make up
47	Cage nut M6	6000411	2	Part of make up



## Hoses



POS	DESCRIPTION	PART	QTY	COMMENTS
2	Washer GBR04 1/4	710702	3	
3	Adapter 138-04-29 (1/4")	710135	2	
4	Washer GBR06 3/8	710703	2	
5	Adapter 136-06-06 (3/8")	710106	2	
11	Adapter 4.01-04-04 90° (1/4")	710151	1	
12	Adapter 1260-04-04 (1/4")	710240	1	
28	Hose Feed P	7001991	1	
29	Hose Feed T	7001992	1	
30	Hose Tilt	7001990	2	
31	Hose Rotation a (ss9)	7002025	1	Part of quick hitch assy.
32	Hose Rotation b (ss9)	7002026	1	Part of quick hitch assy.
33	Hose feed Lock a	7002027	1	
34	Hose feed Lock b	7002028	1	

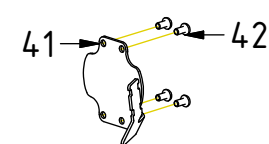
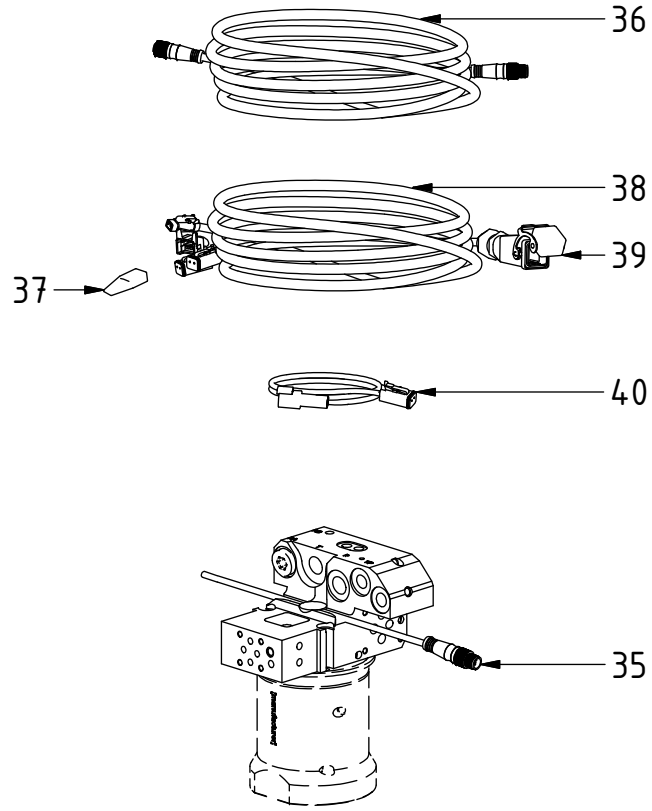


(FEED Rotation directly between motor & top part)

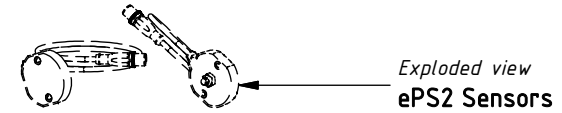
## Cables

POS	DESCRIPTION	PART	QTY	COMMENTS
35	Q-Safe connector			
36	Cable QS QLM ss9-2 M12	8002249	1	
37	DT Jumper SQ/QSC ss9-2	1034439	1	
38	Aggregate cable ss9-2 Complete	8002496	1	
39	ILME cover	810208	1	(Incl. with agg.cable)
40	Joint cable EC204B	8002497	1	
41	Cover	1076341	1	
42	Screw K6S M5x10 10.9 FZB	6000408	4	

POS in order of assembly



EC204BS:



Exploded view  
ePS2 Sensors