

COVERSHEET

Planned document changes:


Briefly:

No planned changes.

Document changes:

Date:	Change:	Rev. after change:
2024-10-29	New document.	-

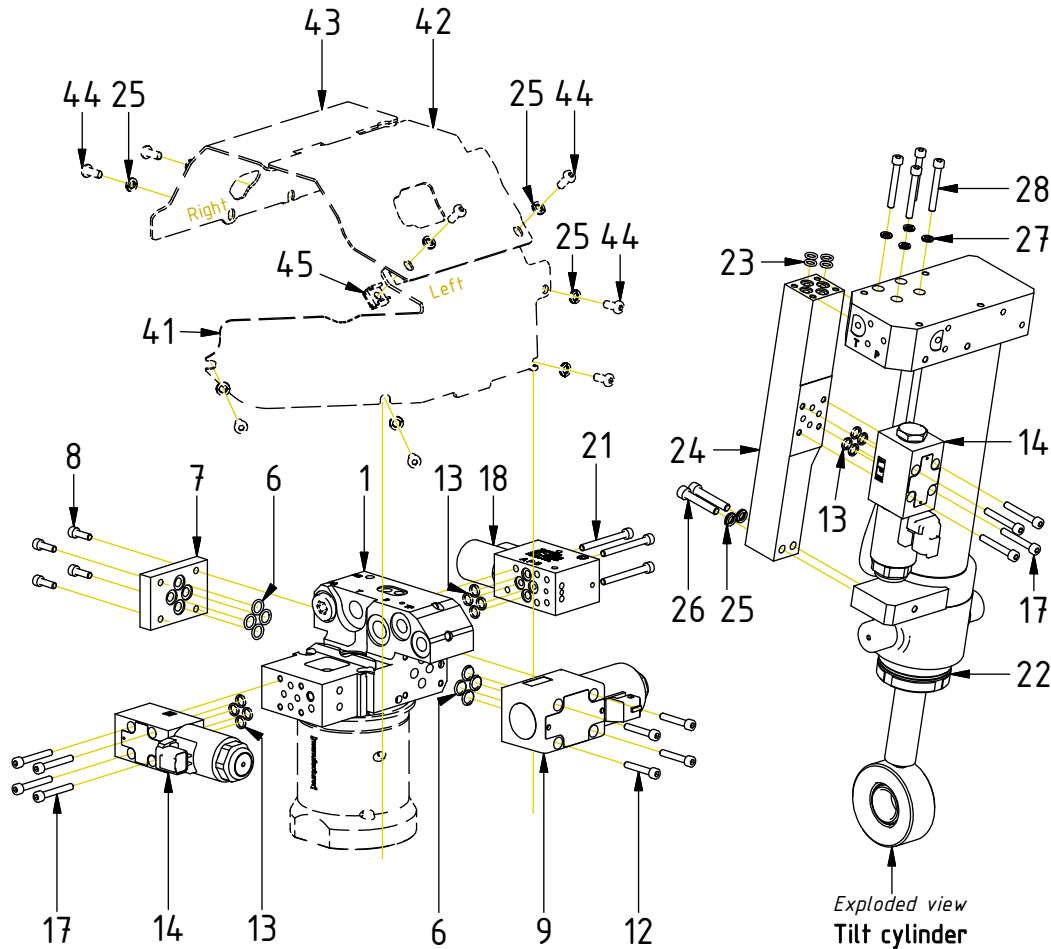
Readers note:

 Indicates instruction.

 Represents Hose.

Dashed lines for overview, mounts
on other pages/assemblies.

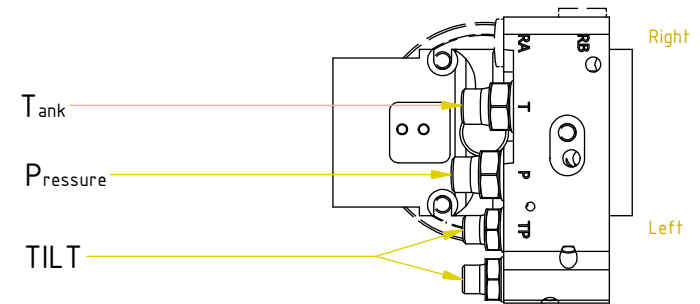
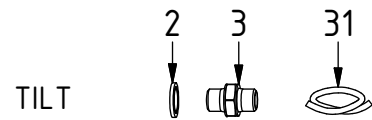
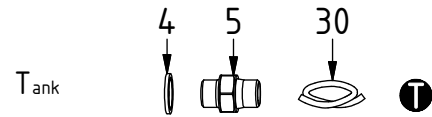
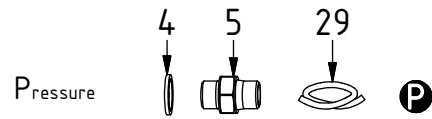
POS	DESCRIPTION	PART	QTY	COMMENTS
1	Valve block EC204B	1078622	1	Part of quick hitch
6	O-ring 9,25x1,78	710901	8	
7	Cover plate NG6	730320	1	
8	Screw MC6S M5x16 12.9	610401	4	
9	Directional valve closed 24V	730112	1	(POS.6, 10, 11 incl.)
10	Coil 12V JT	730117	1	
11	Nut directional valve	730135	1	
12	Screw MC6S M5x30 12.9	610403	4	Torque: 9,7Nm
13	O-ring 7,65x1,78	710960	12	
14	Directional valve closed NG4 12V DT	7000148	2	(POS.13, 15, 16 incl.)
15	Coil 12V NG4 On/Off DT	7000897	2	
16	Nut directional valve NG4	1006785	2	
17	Screw MC6S M5x35 12.9	610404	8	Torque: 9,7Nm
18	Directional valve NG4 IQS 12V DT	1042045	1	(POS.13, 19, 20 incl.)
19	Coil IQS 12V DT	1042065	1	
20	Nut 1270-04	710250	1	
21	Screw MC6S M5x50 12.9	610407	3	Torque: 9,7Nm
22	Tilt cylinder EC204B	1077744	1	Part of top part
23	O-ring 6,75x1,78	7001940	4	
24	Valve block tilt cylinder	1075504	1	
25	Washer NL 6mm	611039	10	QTY: 8 part of make up
26	Screw MC6S M6x35 12.9	610591	2	
27	Washer NL 5mm	611038	4	
28	Screw MC6S M5x40 12.9	610405	4	Torque: 9,7Nm
41	Protective cover EC204B Lower	1076425	1	Part of make up
42	Protective cover EC204B Left	1076007	1	Part of make up
43	Protective cover EC204B Right	1076360	1	Part of make up
44	Screw K6S M6x14 10.9 FZB	6000242	8	Part of make up
45	Cage nut M6	6000411	2	Part of make up



Hoses

POS	DESCRIPTION	PART	QTY	COMMENTS
2	Washer GBR04 1/4	710702	2	
3	Adapter 138-04-29 (1/4")	710135	2	
4	Washer GBR06 3/8	710703	2	
5	Adapter 136-06-06 (3/8")	710106	2	
29	Hose Feed P	7001991	1	
30	Hose Feed T	7001992	1	
31	Hose Tilt	7001990	2	
32	Hose Rotation a (ss9)	7002025	1	Part of quick hitch assy.
33	Hose Rotation b (ss9)	7002026	1	Part of quick hitch assy.

POS in order of assembly

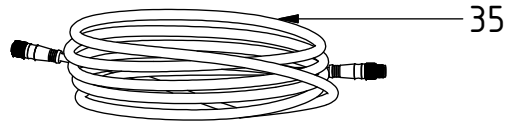


(FEED Rotation directly between motor & top part)

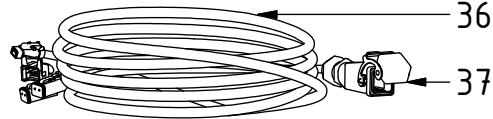
Cables

POS	DESCRIPTION	PART	QTY	COMMENTS
34	Q-Safe connector			
35	Cable QS QLM ss9-2 M12	8002249	1	
36	Aggregate cable ss9-2 Complete	8002496	1	
37	ILME cover	810208	1	(Incl. with agq.cable)
38	Joint cable EC204B	8002497	1	
39	Cover	1076341	1	
40	Screw K6S M5x10 10.9 FZB	6000408	4	

POS in order of assembly



35

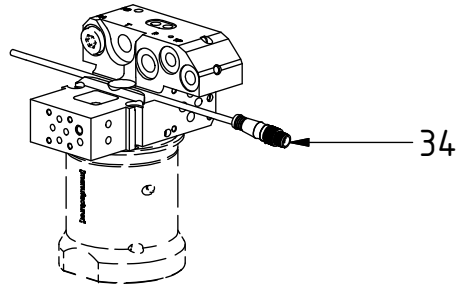


36

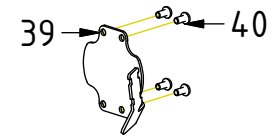
37



38



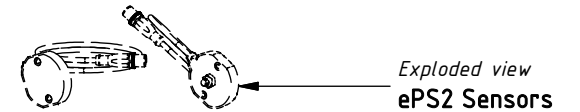
34



39

40

EC204BS:



Exploded view
ePS2 Sensors